



WARNINGS AND SAFETY INSTRUCTIONS for the MOPEKA TANK BLANKET

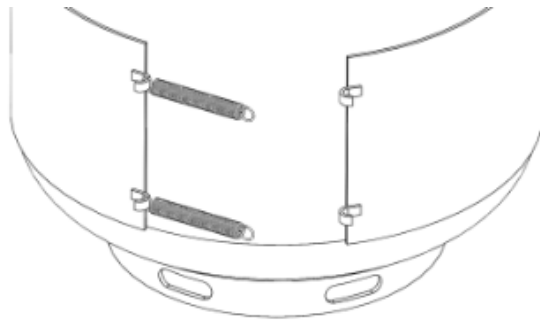
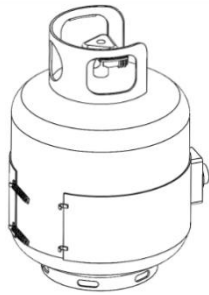


- **MAX TEMPERATURE OF THE HEATER SURFACE IS 60°C (140°F). USE CAUTION AND ALLOW HEATER TO COOL BEFORE TOUCHING.**
- **Do not put Tank Blanket in water. The product is not waterproof.**
- Verify prior to use that object(s) being heated can tolerate the max temperature of the blanket- **60°C (140°F)**
- Do not connect product to power until installed.
- Be sure the work and installed area is free of sharp objects that may puncture or tear your Tank Blanket.
- Always use a Ground Fault Protection Device when using Tank Blanket products. Never connect to a higher voltage power supply than what is listed on the installation instructions (120V).
- Never use ungrounded, worn, or damaged extension cords.
- Do not add extra insulation or cover the heater with any other product(s).
- Before and after every use, inspect your Tank Blanket product for damage, tears or holes of any kind, and including the power cord. Do not use any damaged product.
- Always read and follow installation instructions in regard to the warning labels and plastic sleeves.
- Only install the correct size of Tank Blanket on the designated tank it is designed for. Do not install larger Tank Blankets on smaller tanks.
- Do not place heavy objects on or walk on the product.
- Never pull, drag, or lift the product by the power cord.
- Do not fold product. The heater contains elements that will be damaged if folded too tightly resulting in an unsafe condition.
- When in use, a Tank Blanket product might be placed over warning labels or instructions on other products. You should be familiar with the content and location of such warning labels or instructions before covering them with the Tank Blanket product.
- The warnings and instructions provided in this guide relate only to the Tank Blanket product and should not be used as a substitute for any warnings or instructions on other products used with the blanket. Mopeka makes no representations as to suitability for use with specific products.
- For questions regarding whether other products may be used safely with a Tank Blanket product, please refer to the warnings and instructions provided with the covered product, and/or contact the product manufacturer.



TANK BLANKET INSTRUCTIONS

- 1) Remove all plastic sleeves and clean any dirt from the tank
- 2) Remove all tape and plastic bubble wrap from the Mopeka Tank Blanket ends.
- 3) Wrap the Mopeka Tank Blanket around the tank and hook the 2 attached springs from one end to the 2 hooks on the opposite end. See images below.



- 4) Plug the power cord into any 120V outlet
- 5) Set the thermostat to the desired temperature. Thermostat setting range is 0-60°C (32-140°F).

