

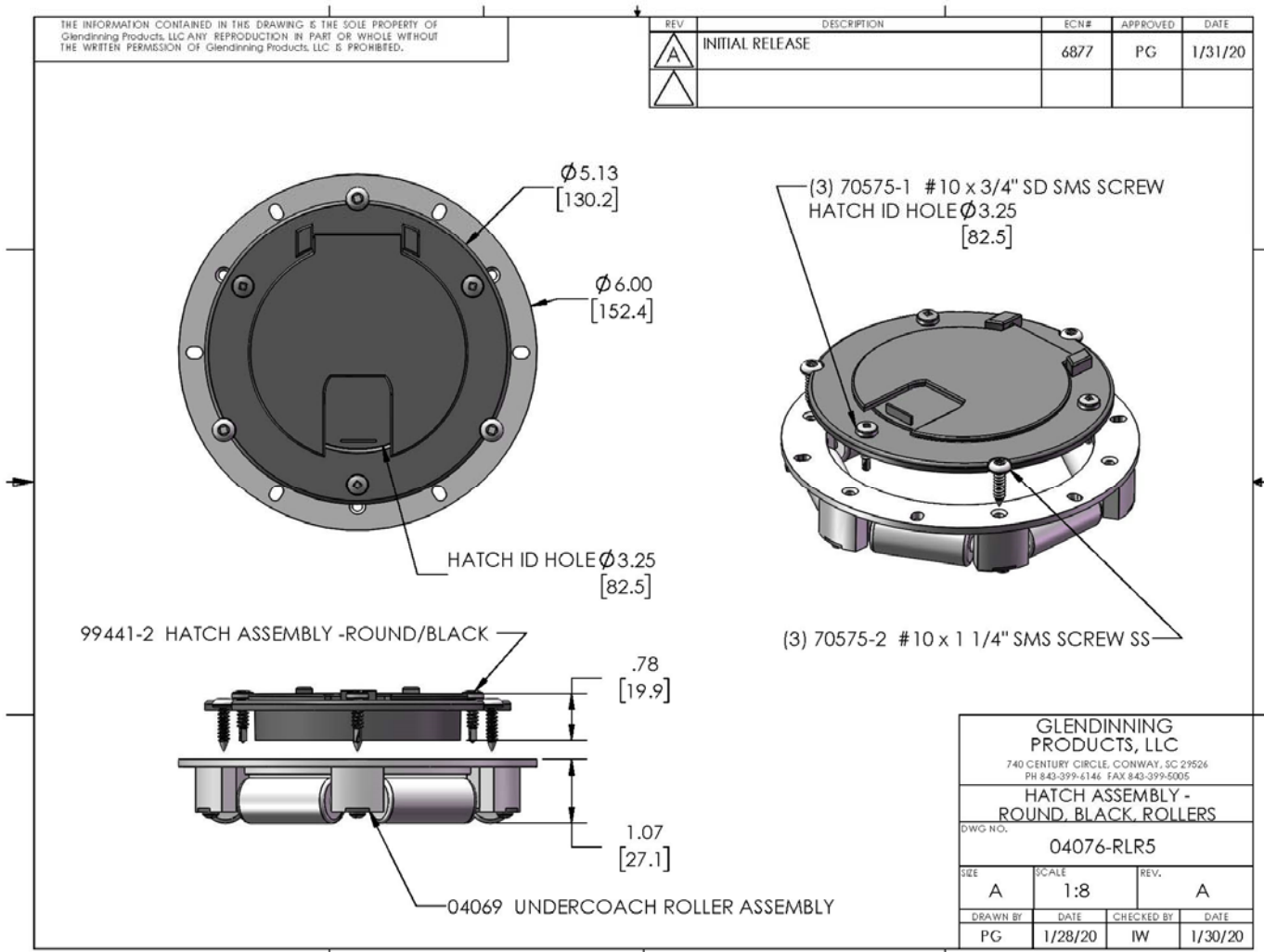


04076-RLR5 Round Hatch/Roller Assembly – up to ¾” floor thickness

Install Hatch Assembly as shown below. This kit is for floors up to ¾” thick. If floor is thicker then source longer screws as needed.

This kit includes:

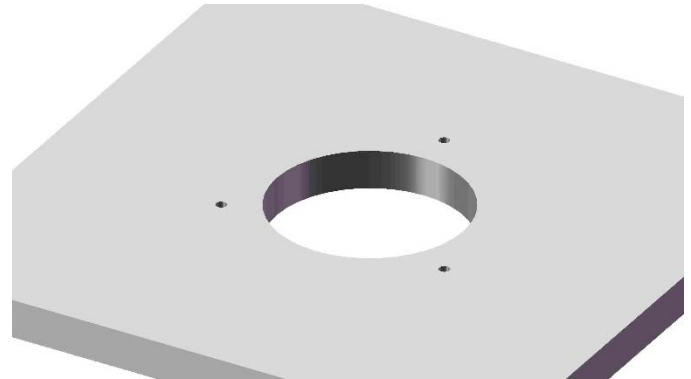
- 99441-2 Round Hatch Assembly – Black - qty (1)
- 04069 Undercoach Roller Assembly - qty (1)
- 70575-2 #10 x 1 ¼” SMS screw– sqhd - qty (3)
- 70575-1 #10 x ¾” SD SMS screw- sqhd - qty (3)
- Template for drilling holes



04076-RLR5 Round Hatch/Roller Assembly – up to ¾” floor thickness

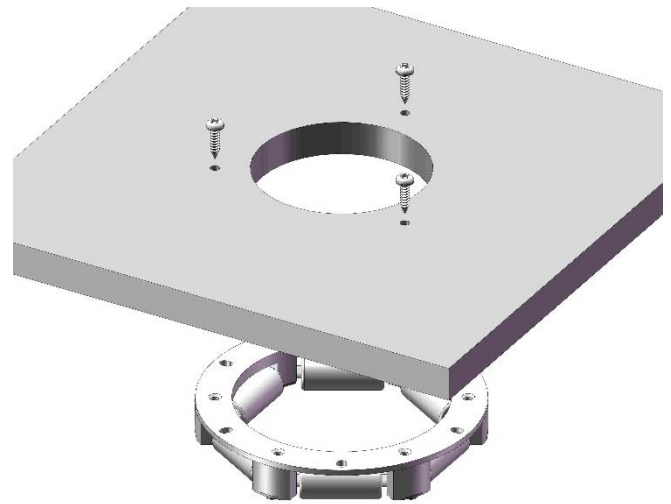
Step 1

- Place Template (see page 3) in location where hatch is to be mounted and mark holes.
- Cut 3 ½” to 3 ¾” diameter hole.
- Drill (3) #10 clearance holes (0.20” dia.)



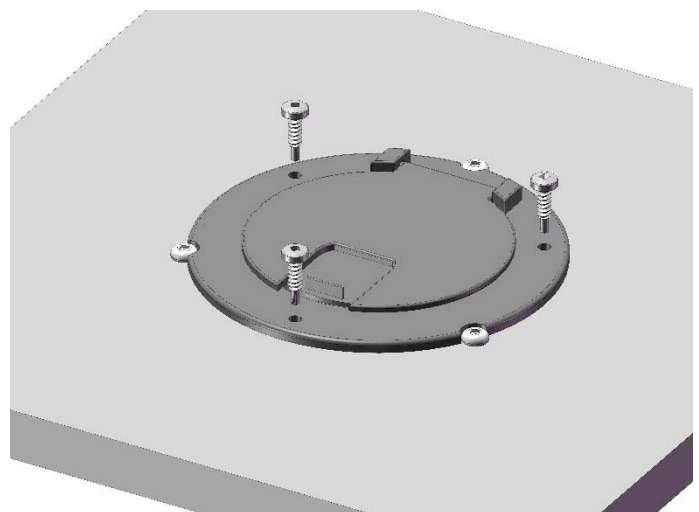
Step 2

- Place 04069 Roller assembly under coach
- Install (3) #10 x 1 ¼” Pan head SMS through holes in floor into holes in roller assembly. Tighten.



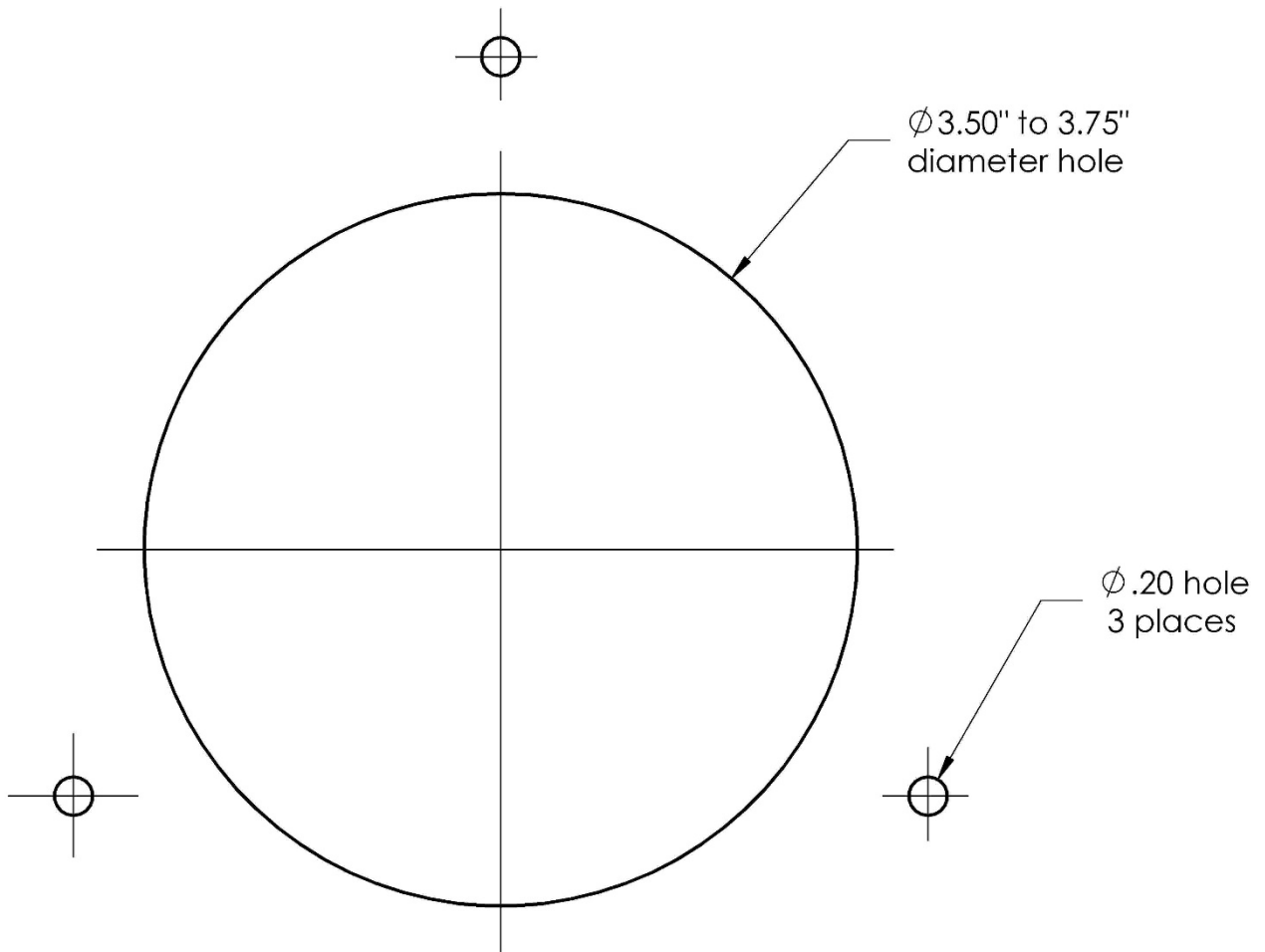
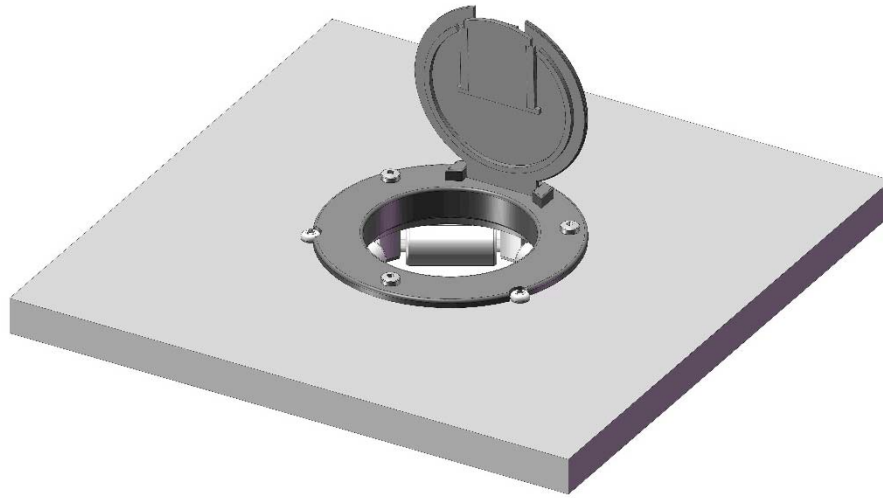
Step 3

- Place 99442 Hatch onto hole. Rotate hatch till slots are line up around screw heads. (as shown)
- Install (3) #10 x ¾” Pan head Self tapping screws through hatch into floor and tighten.





04076-RLR5 Round Hatch/Roller Assembly – up to ¾" floor thickness





**WI_04076-RLR5
REVISION TRACKING**

REVISIONS	ECN	CHANGES	BY	DATE
1	6877	Initial Release	IW	2/4/20