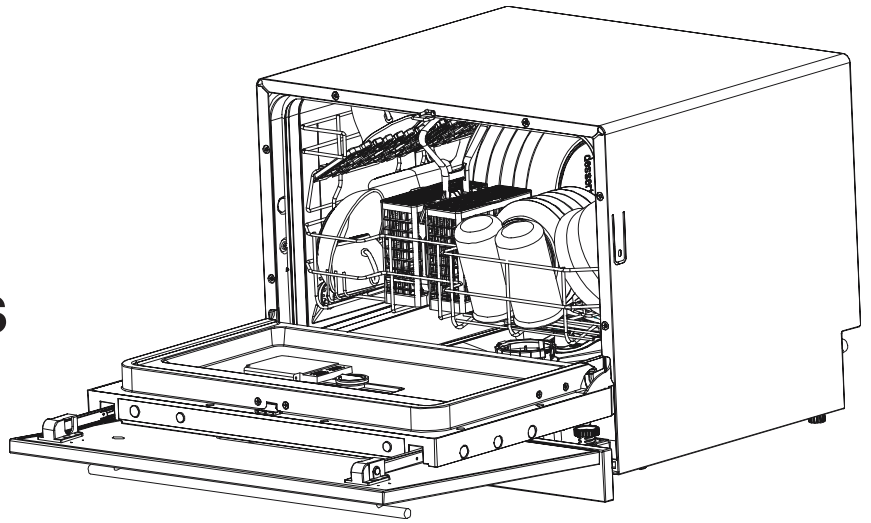




VESTA™ DWV335BBS

Automatic Built-In Compact Dishwasher



Installation Instructions and Use & Care Guide

Unit Parts Identification	1
Important Safety Instructions	2-3
Installation Instructions	
Installation Requirements	4
Dishwasher Dimensions	5
Installation Location, Connecting Inlet Hose	6
Installing the Drain Hose	7
Finish the Installation	8
Use and Care Guide	
Loading the Dishwasher	9
Using a Detergent	10
Using a Rinse Agent	11
Selecting a Cycle	12
Additional Features	13
About the Controls	14
Quick Operation Instructions	15
Cleaning the Filter	16
Caring for the Dishwasher	17-18
Winterization	18
Troubleshooting	
Common Problems/Solutions Chart	19-20
Error Code Chart	21
If You Need Service	21



READ ALL INSTRUCTIONS BEFORE USING

UNIT PARTS IDENTIFICATION

Control Panel

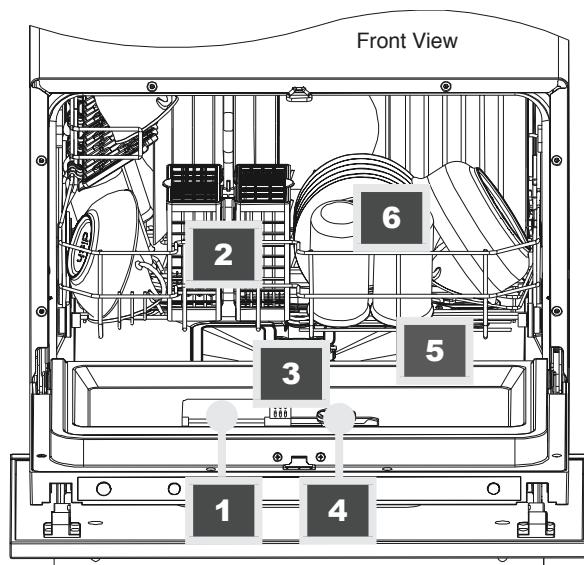


- A** Power Light
- B** ON/OFF Button
- C** Delay Time Display
- D** DELAY START Button

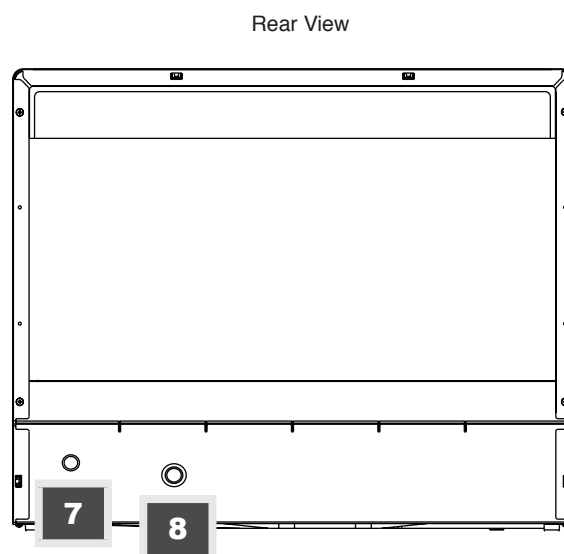
- E** Rinse Aid Warning Light
- F** Program Indicator LED's
- G** PROGRAM Button

NOTE: Controls can only be set when door is open.

Dishwasher Features



- 1** Detergent Dispenser
- 2** Cutlery Basket
- 3** Filter Assembly
- 4** Rinse Aid Dispenser
- 5** Spray Arm
- 6** Dish Rack with Cup Shelf



- 7** Drain Pipe Connector
- 8** Inlet Pipe Connector



Not Shown: Installation Screws (2), Detergent Measuring Spoon and Rinse Agent Measuring Container


NOTE: The manufacturer, following a policy of continual product improvement, may make modifications without giving prior notice

IMPORTANT SAFETY INSTRUCTIONS

WHEN LOADING ITEMS TO BE WASHED

- Locate sharp items so that they are not likely to damage the door seal. Load sharp knives with the handles up to reduce the risk of cut-type injuries.
- Do not load plastic items unless they are marked “Dishwasher Safe” or the equivalent. For plastic items not marked as such, check the manufacturers recommendations.
- Do not load glasses over the dish rack pins. Glasses loaded over dish rack pins are not properly supported and are likely to get damaged. Items with wooden or bone handles, or items joined together with glue are unsuitable as they cannot resist hot water.
- Open the door very carefully if the dishwasher is operating, there is a risk of water squirting out.
- Check that the detergent receptacle is empty after the completion of the wash cycle.
- Do not operate your dishwasher unless all enclosure panels are properly in place.
- Do not tamper with controls.
- Do not abuse, sit on, or stand on the open door or dish-rack of the dishwasher. The machine may topple over.
- Protect cables and hoses from high temperatures.
- To reduce the risk of injury, do not allow children to operate or play on the dishwasher.
- When removing an old dishwasher for service or discarding it, remove the door to the washing compartment.
- Under certain conditions, hydrogen gas may be produced in a hot-water system that has not been used for two weeks or more. **HYDROGEN GAS IS EXPLOSIVE.** If the hot-water system has not been used for such a period, before using the dishwasher, turn on all hot-water faucets and let the water flow from each for several minutes. This will release any accumulated hydrogen gas. As hydrogen gas is flammable, do not smoke or use an open flame during this time.

 **WARNING** 

When using your dishwasher, follow basic safety precautions: 

- Read all instructions before using the dishwasher.
- Use the dishwasher only for its intended use.
- Use only detergents or wetting agents recommended for use in a dishwasher and keep them out of reach of children.

SAVE THESE INSTRUCTIONS

IMPORTANT SAFETY INSTRUCTIONS

ELECTRICAL INSTRUCTIONS

Refer to the rating label to connect the dishwasher to the appropriate power supply. Use the required 15 amp fuse, time delay fuse or circuit breaker and make sure that a suitable electrical supply socket is located close to where the dishwasher is to be placed.



WARNING



- Do not use an extension cord or adapter plug with this appliance.

GROUNDING INSTRUCTIONS

This appliance must be grounded. In the event of malfunction, or breakdown, grounding will reduce the risk of electric shock by providing the path of least resistance for electric current. This appliance is equipped with a cord having an equipment grounding conductor and grounding plug. The plug must be plugged into an appropriate outlet that is properly installed and grounded in accordance with all local codes and ordinances.



WARNING



- Improper connection of the grounding conductor can result in the risk of an electric shock. Ensure proper ground exists before use.
- Check with a qualified electrician or service representative if you are in doubt whether the appliance is properly grounded.
- Do not modify the plug provided with the appliance. If the plug does not fit properly to the outlet, please have a qualified electrician to install a proper outlet.

INSTALLATION INSTRUCTIONS

INSTALLATION REQUIREMENTS

All Installations

- Remove all packing materials carefully.
- Make sure the electrical power supply is within easy reach of the machine and the power cord is not excessively or dangerously bent or flattened.
- Supply shut-off valves should be easily accessible.
- If the water pipes you will be connecting to are new or unused, run the water until clear to remove any debris that could clog the water valves before connecting the machine. The appliance should be connected to the water mains using only new hose sets. Old hose-sets should not be reused.
- The dishwasher must be installed on a 'solid' level surface.

Electrical

- Machine Voltage/Amperage: 120V, 60 Hz, 5.72 Total Amps
- Connection: 3-prong plug with cord provided
- Circuit/Protector: 3-wire single phase, 120V, 60Hz, AC, on a separate 15 Amp circuit.

Water

For best operating results, incoming water pressure should be between 10 and 145 psi (.7 and 10 bar). Incoming water supply for the dishwasher is controlled by a 'pressure switch' application, so if available water pressure is low, dishwasher fill time will be longer. The dishwasher is equipped with water supply and drain hoses that can be positioned to the right or the left to facilitate proper installation.

For Best Results

Your dishwasher cleans by spraying a mixture of hot clean water and detergent (under pressure) against the soiled surface of dishes. The water is pumped through a rotating spray arm, drained through a filter (to remove food and soiled particles) and pumped back through the spray arm.

The unit has an internal water heating element for cold water hookup. Soiled water is pumped out and replaced with clean water at the end of each cycle (the number of times depends on the cycle being used). For best cleaning results, the water temperature must be at least 130°F (55°C). To prevent dishwasher damage, the temperature of the incoming water supply should not exceed 160°F (71°C).

Note: Hard Water conditions will adversely affect washability performance of your dishwasher. Hard water conditions will also contribute to "Lime" (white film substance) deposits and/or "Scaling" on the stainless steel surface of the dishwasher tub and "Heater Element" located in the sump underneath the removable filter screen. To assist in minimizing these conditions, it is recommended to periodically operate/rinse the inside of the dishwasher (empty) using 1 cup of white vinegar (at least once a week).



WARNING



ELECTRICAL SHOCK HAZARD
Disconnect electrical power before installing dishwasher. Failure to do so can result in death or electrical shock



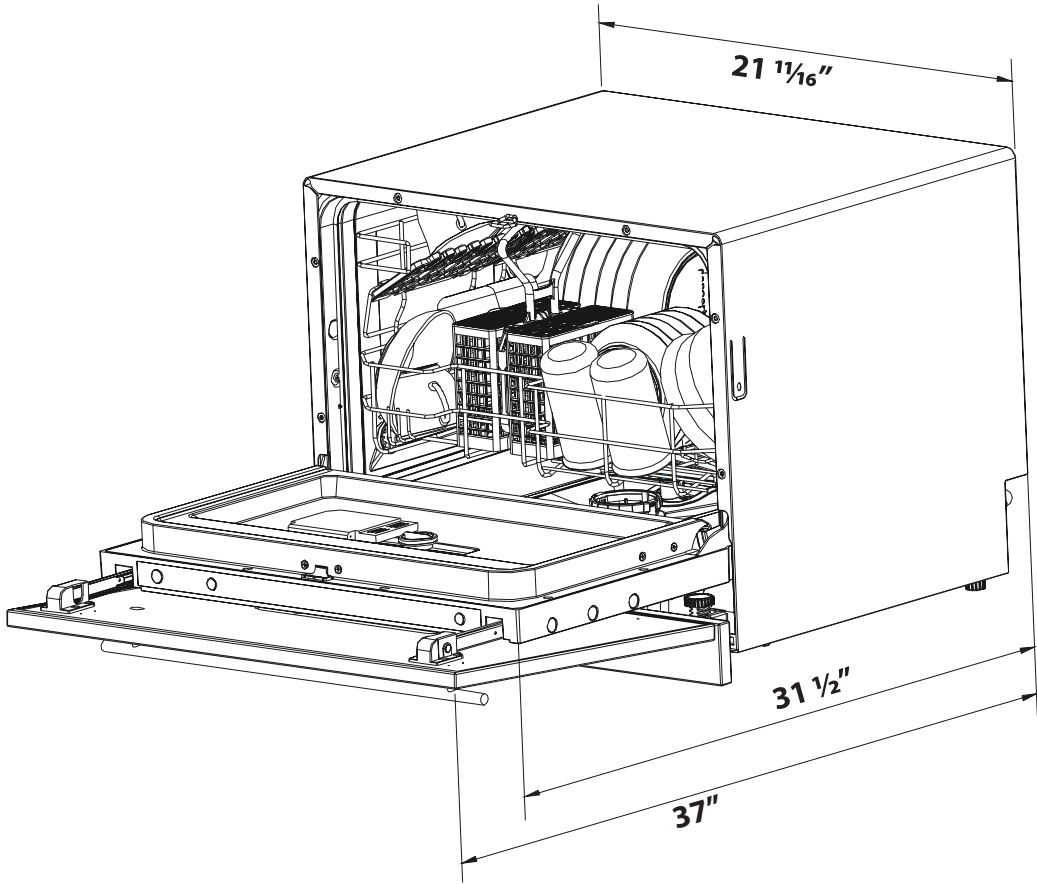
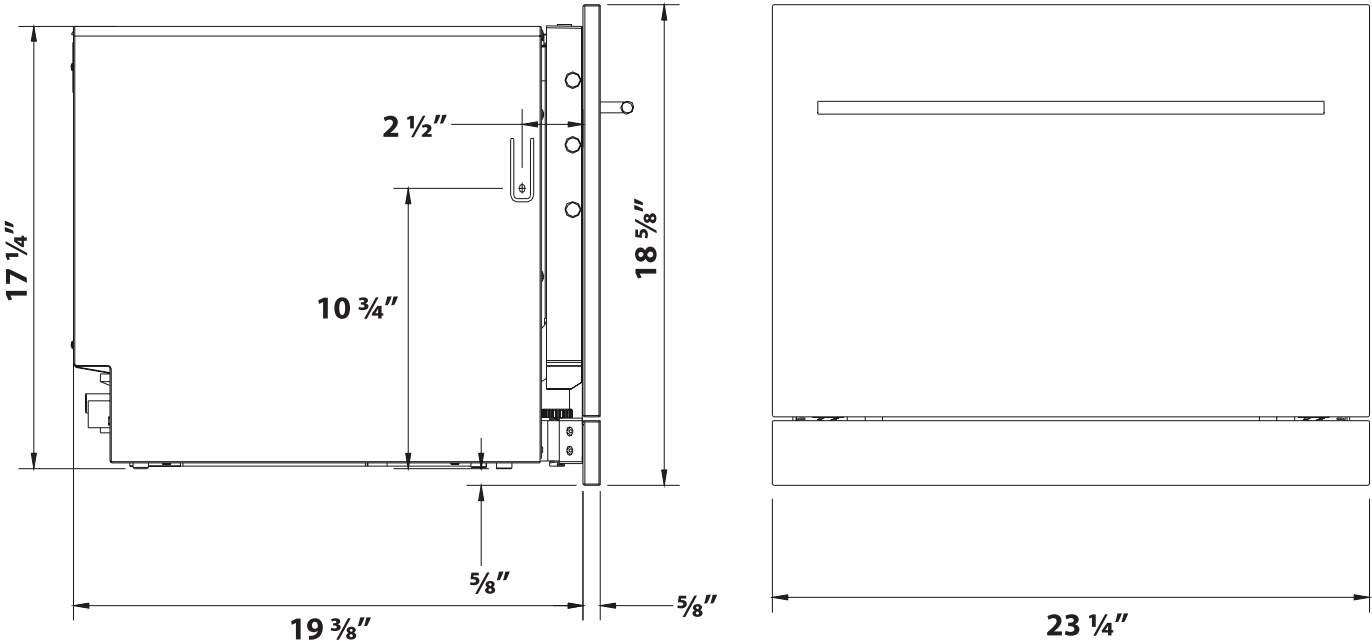
IMPORTANT



The installation of the pipes and electrical equipment should be done by professionals.

INSTALLATION INSTRUCTIONS

DISHWASHER DIMENSIONS



INSTALLATION INSTRUCTIONS

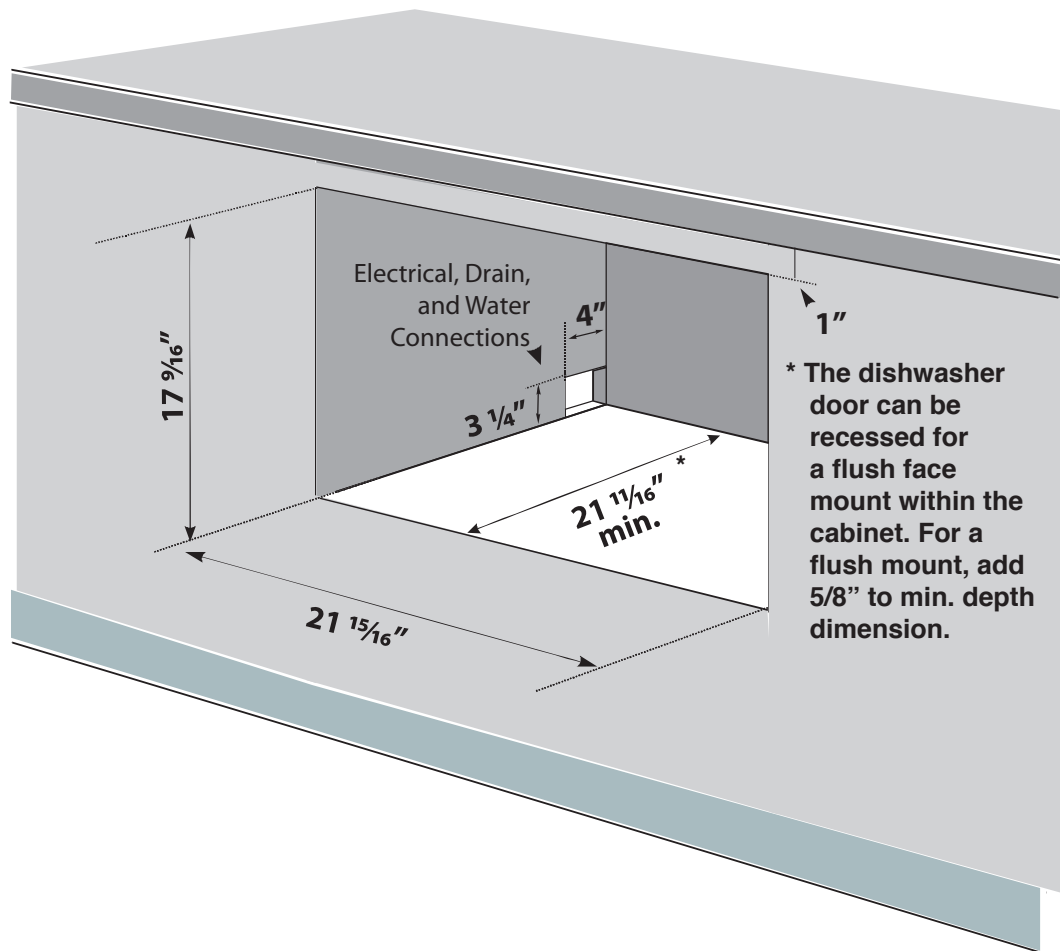
LOCATION AND WATER CONNECTION

Installation Location

- For cutout dimensions, refer to the drawing below.
- Position the appliance in the desired location. The drain hoses can be positioned to the right or the left to facilitate proper installation.

Connect the Inlet Hoses

- The water inlet hose from the machine terminates in a 3/4" "female" connector. The water supply should therefore terminate in a similar "male" connector and should have a shutoff close by in the pipe.
- Make sure the water supply connection is within easy reach of the machine (The unit has an internal heating element for cold water hookup). The fill-drain hose assembly is 5 Feet (152.4 cm) long.



INSTALLATION INSTRUCTIONS

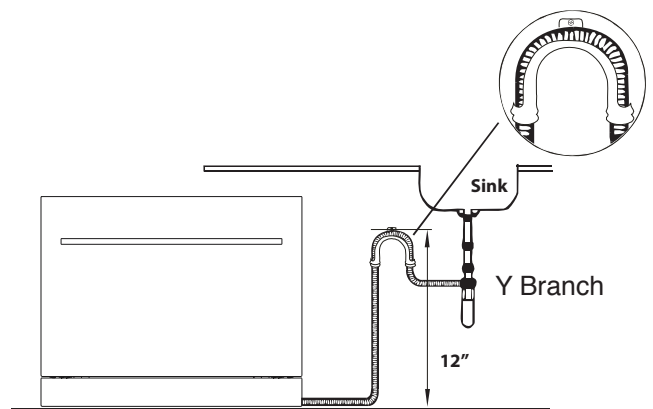
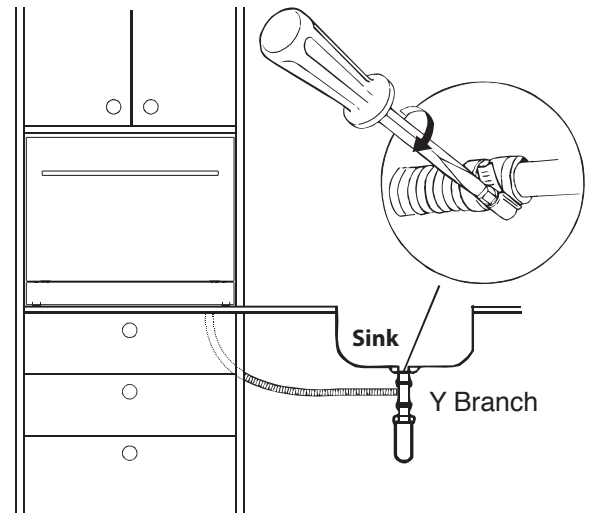
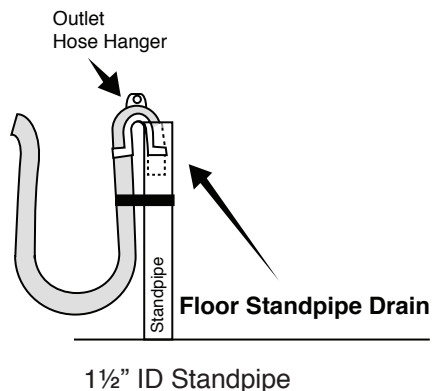
WATER DRAINAGE

Install the Drain Hose

Insert the drain hose into a drain pipe with a minimum diameter of 1½", or let it run into the sink, making sure to avoid bending or crimping it.

- **If you need a drain hose extension**, be sure to use a similar drain hose to what is included with the unit. For optimum performance of the dishwasher, the drain hose extension must be no longer than 6 feet in length.
- **Standpipe Drain System:** No point of the drain hose must ever be placed higher than the top of the machine. If this should ever happen, the functioning of the machine can be affected.
- **Sink Drainpipe System:** When routing the drain hose through cabinets or walls, use a protective material such

as electrical or duct tape to cover sharp edges that could damage the drain hose. Use a suitable clamp to secure the drain hose to the "Y" branch or disposer. With a sink drainpipe system, you may connect directly: 1) To a disposer by following the manufacturer's attachment method. 2) directly to a "Y" branch tailpiece (available at most hardware stores).



! **ATTENTION** !

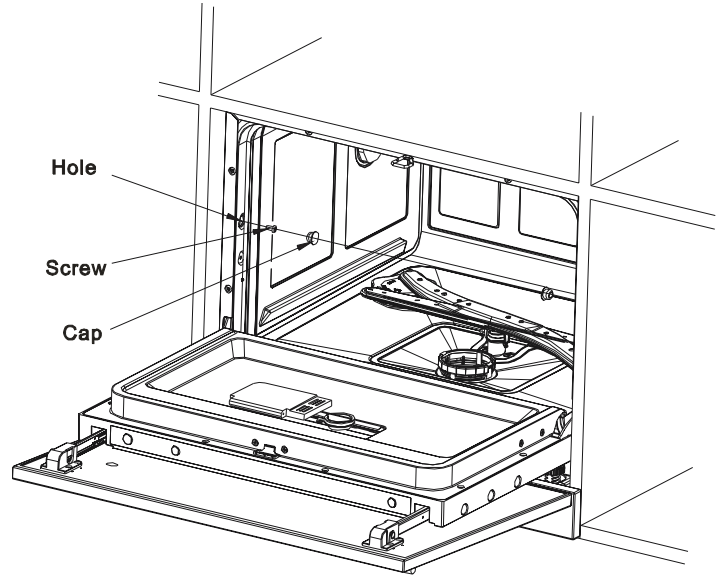
The outlet hose hanger must be securely fastened to the wall to prevent the drain hose from moving and water from spilling outside of the drain.

INSTALLATION INSTRUCTIONS

FINISH THE INSTALLATION

Secure the Unit to the Cabinet

To finish the installation, secure the unit to the cabinet using a screwdriver and the two installation screws provided (there is one screw hole on each side). Once the screws are installed, cover them with the included screw caps (shown right).



USE AND CARE

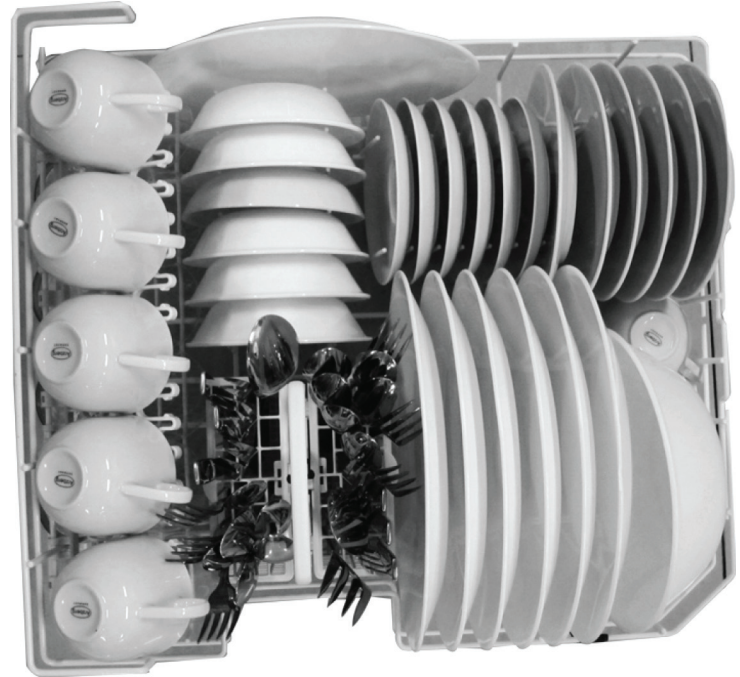
LOADING THE DISHWASHER

Wash Up to Six Place Settings

The dishwasher is designed to receive a standard “6 piece” plate setting consisting of the following:

- 6 Dinner Plates
- 6 Bread & Butter Plates
- 6 Fruit Bowls
- 6 Cups and Saucers
- 1 Serving Bowl
- 1 Oval Platter
- 6 Short Glasses
- 6 Dinner Forks
- 6 Dinner Knives
- 6 Salad Forks
- 6 Teaspoons
- 2 Serving Spoons
- 1 Serving Fork

NOTE: For ease of loading/unloading large size dinner plates from the dish rack it may be necessary to temporarily remove the cutlery basket. For best results, do not over load your dishwasher.



Preparing Your Items For Washing

- Load only items that are considered ‘Dishwasher Safe’ (Do not load wooden, pewter, crystal, steel, glued or bonded items, or items made with synthetic fibers)
- Scrape off all solid food particles from the dishes.
- Remove excessive quantities of oil or grease.
- Empty any liquids from glasses and cups.
- All dishes should be thoroughly rinsed before being placed inside the dishwasher.
- Arrange all items with recessed or curved sections on a slant to drain water away.
- Cups, pots, glasses etc. should be placed upside down.
- When loading the cutlery basket, sharp items should be loaded handle-up, all other items should be loaded handle-down.
- To avoid damage to glasses, they should not be allowed to touch

NOTE: Dishes with dried-on foods are more difficult to wash and may not come clean in a normal wash cycle.

! **IMPORTANT** !

When loading the cutlery basket, load sharp utensils handle up, but do not let any sharp item extend through the bottom of the basket. Especially long items should be placed in the horizontal position at the front of the upper basket.

USE AND CARE

USING DETERGENT

Using the Right Detergent

Use only a mild detergent specifically made for use in dishwashers, as other types will cause oversudsing. If your detergent is old and/or lumpy, throw it away. Old detergent loses its washing power. Lumpy detergent won't dissolve. The amount of detergent you use depends if your water is "hard" or "soft".

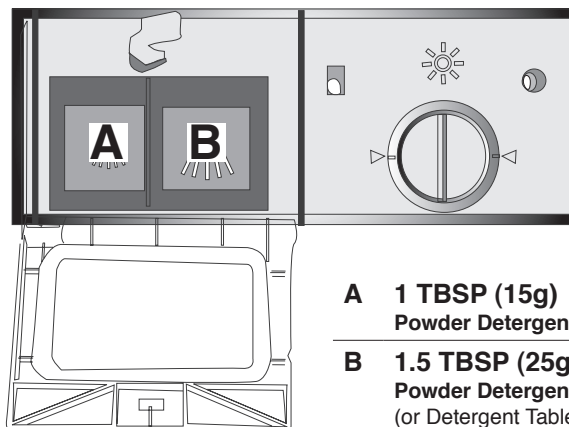
NOTE: Hard water requires more detergent to get dishes clean. Soft water requires less detergent to get dishes clean.

Concentrated Powder

Unlike conventional detergents, concentrated detergents use natural enzymes instead of caustic components. Using a concentrated detergent in conjunction with the 'Normal' allows you to achieve the same results as you would if you were using the 'Heavy' cycle with a conventional detergent. This is better for your dishes and the environment.

Detergent Tablets

Detergent tablets take longer to dissolve and therefore require the use of longer wash programs (Heavy/Normal) to achieve their full cleaning power and to completely remove all detergent residue. When using detergent tablets, select a program with a longer wash to ensure the complete removal of detergent residue.



- A 1 TBSP (15g)
Powder Detergent**
- B 1.5 TBSP (25g)
Powder Detergent
(or Detergent Tablet)**

Loading the Detergent Dispenser

To load the detergent dispenser:

1. Press the release button to open the dispenser lid.
2. Fill the dispenser compartment(s) to the desired dosage level and close the door. **Generally, only 1 Tablespoon of powder is needed for a 'Normal' wash load.**
3. Press the dispenser lid closed until it clicks shut.

Pre-Wash Option: If dishes are heavily soiled, place an additional detergent dose in the Pre-Wash detergent chamber (the recessed area located on the top of the detergent dispenser lid).

NOTE: Always add detergent just before starting the wash cycle, otherwise it may get damp and not dissolve properly.



USE AND CARE

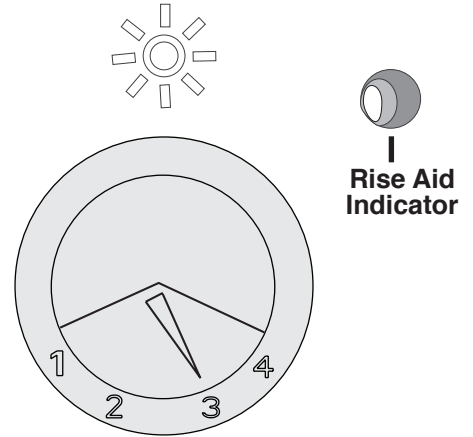
USING A RINSE AGENT

Using a Rinse Agent

You can help prevent unsightly spots on dishes and glassware and reduce drying time by using a rinse agent. A rinse agent is specially formulated to rinse away food and detergent residues that can be left behind on your dishes. Used regularly, a rinse agent will automatically provide you with cleaner dishes every time you wash.

- To fill the rinse agent dispenser, unscrew the dispenser cap located on the inside of the dishwasher door. Slowly add the rinse agent into the dispenser until the level indicator turns completely black (about 4oz). Replace the cap. The dispenser automatically releases rinse agent into the final rinse water at the end of the wash cycle.
- When the rinse aid container is full, the entire rinse-aid indicator will be dark, as rinse aid is used, the size of the dark spot will decrease until it disappears completely when the rinse-aid container is empty.
- The rinse aid dispenser has four settings. The recommended setting is '3'. If the dishes are still not drying properly or are spotted, adjust the dial to the next higher number.

NOTE: For best results, do not let the rinse-aid container become empty. Increase the rinse aid setting (1, 2, 3 or 4) if there are drops of water or lime spots on the dishes after washing. Decrease if there are sticky/white stains on your dishes or a bluish film on glasses or cutlery.



! **IMPORTANT** !

Only use rinse agent designed for dishwashers in the rinsing agent dispenser. Using any other substance (i.e. detergent) would damage the appliance.

USE AND CARE

SELECTING A CYCLE

Refer to the chart below to select the correct wash cycle for your dishes based on the type of items you're washing and their degree of soil.

Program	Cycle Selection Information	Description of Cycle	Detergent Compartment	Running Time*	Energy Use	Water Use	Rinse Aid Dispensed
Heavy	For the heaviest soiled loads (i.e. pots, pans, casserole dishes and dishes that have been sitting with dried food on them for awhile)	Pre-Wash Pre-Wash (122°F) Pre-Wash (122°F) Wash (140°F) Wash (122°F) Rinse Rinse (149°F)	Pre Wash Main	100 min.	0.40 Kwh	3.8 gallons	Yes
Normal	For normally soiled loads (i.e. pots, plates, glasses and lightly soiled pans)	Pre-Wash Pre-Wash Pre-Wash Wash (131°F) Wash (122°F) Rinse Rinse (149°F)	Pre Wash Main	85 min.	0.35 Kwh	3.1 gallons	Yes
Light	For lightly soiled loads (i.e. plates, glasses, bowls and lightly soiled pans)	Pre-Wash Pre-Wash (122°F) Wash (122°F) Rinse Rinse (140°F)	Pre Wash Main	75 min.	0.29 Kwh	3.1 gallons	Yes
Glass	For lightly soiled loads (i.e. glasses, crystal and fine china)	Pre-Wash Wash (122°F) Rinse Rinse (140°F)	Pre Wash Main	70 min.	0.27 Kwh	2.6 gallons	Yes
Speed	A shorter wash for lightly soiled loads	Pre-Wash Pre-Wash (122°F) Wash (122°F) Rinse Rinse (131°F)	Pre Wash Main	45 min.	0.22 Kwh	3.1 gallons	No
Rinse	For dishes that only need a pre-wash	Pre-Wash	-	24 min.	0.02 Kwh	1.3 gallons	No
Soak	To rinse dishes that you plan to wash later that day	Pre-Wash	-	10 min.	0.01 Kwh	0.7 gallons	No

*NOTE: Wash times may vary according to the incoming water pressure and temperature and the environmental temperature.

USE AND CARE

ADDITIONAL FEATURES

Delay Start

DELAY START allows you to delay the start of any cycle by 1 to 24 hours. To activate this feature, press the DELAY START button and refer to the LED DISPLAY. Each press of the button corresponds to one hour. Once you've reached the desired hour(s), use the PROGRAM dial to select a wash cycle, then close the dishwasher door.

Pause

A forgotten dish can be added any time before the detergent dispenser lid opens. To do this, simply pause the cycle in progress by opening the door. Once the door is closed, the cycle will resume after 10 seconds.



CAUTION



Water may be HOT! Always use caution when opening the door during a wash cycle.

USE AND CARE GUIDE

ABOUT THE CONTROLS



A Power Light

B **ON/OFF:** Use this button to turn power to the dishwasher ON/OFF.

C **Delay Start DISPLAY:** Shows the number of hours until the cycle will start when a Delay Start is set.

D **DELAY START Button:** Press this button and refer to the Delay Start DISPLAY to delay the start of the cycle by 1 to 24 hours.

E **Rinse Aid Warning Light:** Turns on when the Rinse Aid Dispenser needs to be refilled.

F **Program Indicator LED's**

G **PROGRAM Button:** Press this button and refer to the Program Indicator LED'S to select a program.

NOTE: At the beginning of each cycle, the dishwasher always starts in the "drain" mode. This is because the drain pump always retains a small amount of water (in the sump) from the previous (last) cycle. This is necessary to keep the pump primed. Therefore, don't be alarmed if a small amount of water being pumped out from the drain hose prior to the start of the regular wash cycle. **THIS IS NORMAL.**

USE AND CARE GUIDE

QUICK OPERATION GUIDE

To Operate Your Dishwasher

1. Make sure the water inlet and drain hoses are correctly and securely connected and the water supply is turned on to full pressure.
2. Open the dishwasher door.
3. Place the dishes on the Dish Rack and the cutlery inside the Silverware Basket.
4. Check to make sure that the rotating spray arm can turn freely all the way around. If necessary, remove any obstacles.
5. Fill the dispenser compartment(s) with the desired dosage (Generally only 1 TBSP of powder loaded into the left compartment is needed for a 'Normal' wash load). Press the Dispenser lid closed until it clicks shut.
6. Position the dishwasher door so that you have easy access to the controls, but **DO NOT close the door completely.**
7. Press the ON/OFF Button. The Power Light will illuminate, indicating the machine is receiving power.
8. If desired, press DELAY START and refer to the Delay Start DISPLAY to delay the start of the program by 1 to 24 hours.
9. Press the PROGRAM Button and refer to the Program Indicator LED's to select a cycle.
10. **Firmly close the dishwasher door. The cycle will begin.**
11. To pause a program that has already started, open the dishwasher door. **The cycle will resume 10 seconds after the door is closed.**
12. At the end of the cycle, the dishwasher will beep for 8 seconds.
13. When the cycle is complete, always switch off the dishwasher by pressing the ON/OFF button and relieve pressure on the inlet hose by closing the water supply.
14. After washing, dishes should be allowed to cool down for approx. 15 minutes so they are not too hot to handle. Dishes will cool quicker if door is slightly open. It is normal for the dishwasher to still be wet inside.
15. After unloading the dishwasher, inspect the filter(s) and clean off any remaining food.



IMPORTANT



IMPORTANT NOTE ABOUT DRYING

The dishes dry by a "convection" method only. To speed-up the drying time, it is suggested to leave the dishwasher door partially open after the program is complete. This will allow humidity from within to escape.

USE AND CARE

About the Filter Assembly

The dishwasher's filtering system prevents objects from blocking the pump and removes food particles from the wash water, allowing it to be recirculated. The FILTER ASSEMBLY consists of three filters:

A. Coarse Filter

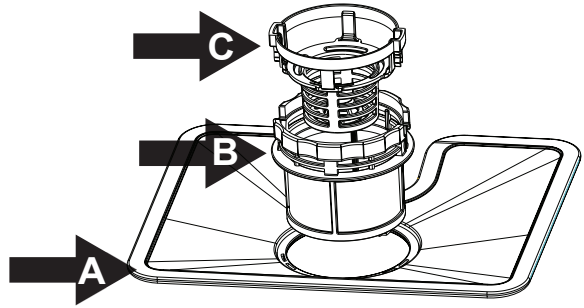
Larger items that could block the drain are trapped in the coarse filter.

B. Fine Filter

This filter traps food residue in the sump area and prevents it from being redeposited on the dishes during the wash cycle.

C. Main Filter

Food particles trapped by this filter are pulverized by a special jet in the spray arm and washed down the drain.



Cleaning the Filters

For best performance and cleaning results, the entire filter assembly must be clean and free of large food particles. After each use, inspect the filters for any blockages. To clean them, remove the filters in the following order and rinse them under running water:

1. Remove the FINE FILTER by rotating it counter-clockwise
2. Remove the MAIN FILTER by squeezing the tabs located on the top of this filter and lifting it out of the FINE FILTER
3. Once the other filters are removed, the COARSE FILTER can be taken out by lifting it straight up.
4. Reverse these steps to reinstall the FILTER ASSEMBLY.

NOTE: Clean the entire filter assembly once per week. If needed, use a brush to clean the COARSE and FINE Filters.



IMPORTANT



- When cleaning the filters, never strike them against another surface. This could cause them to become deformed and fail to work properly
- Never run the dishwasher without the filters in place
- Improper replacement of the filters may reduce dishwashing performance and damage dishes and utensils

USE AND CARE

Caring for Your Dishwasher

After Every Wash

Turn the water supply to the dishwasher OFF. Leave the door slightly open so moisture and odors are not trapped inside

Unplug the Dishwasher

Before cleaning or performing any maintenance, always unplug the dishwasher from the electrical socket.

No Solvents or Abrasive Cleaners

Never use sharp objects, scouring pads or harsh cleaners on any part of the dishwasher. To clean the exterior and rubber parts of the dishwasher, do not use solvents or abrasive cleaning products. Use only a cloth dampened with warm, soapy water.

When the Dishwasher is Not Used for Awhile

Run a wash cycle with the dishwasher empty and then unplug the dishwasher from the electrical socket. Turn off the water supply and leave the door to the appliance slightly open.

Moving the Appliance

Whenever moving the appliance to a different installation location, try to keep it in a vertical position. If necessary, it can be transported on it's back. Verify door is closed.



IMPORTANT



- **Never use a spray cleaner to clean the door panel as it could damage the door latch and electrical components**
- **Abrasive agents or certain paper towels should not be used to clean the exterior of the dishwasher as they may scratch or leave spots on the stainless steel surface.**

USE AND CARE

Cleaning Instructions

The Control Panel

The control panel can be cleaned using a damp cloth and then dried thoroughly.

Rubber Seals

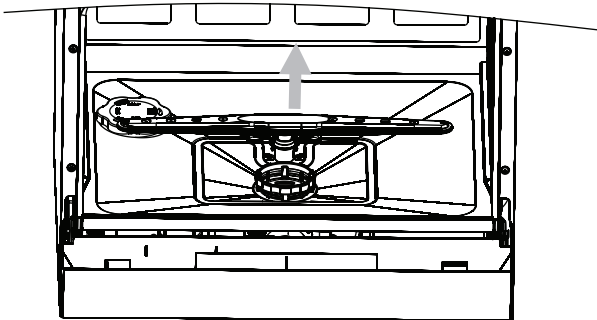
One reason odors form in dishwashers is when food remains trapped inside the seals. Periodic cleaning with a damp cloth will prevent this from occurring.

The Tub

Should spots or stains form on the stainless steel tub, clean the interior using a cloth dampened with a weak mixture of water and vinegar or a cleaning product made specifically for dishwashers.

The Spray Arm

To prevent the spray arm jets from clogging, the spray arm should be cleaned periodically. For easy cleaning, the entire spray arm can be removed by grasping it at the middle and pulling upwards. Once removed, rinse the spray arm under running water to clean the jets. After cleaning, make sure the spray arm is reinstalled correctly and can turn freely.



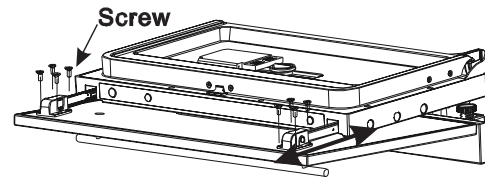
The Door

The edge around the inside of the dishwasher door can be cleaned using a damp cloth. Avoid dripping water into the door latch and electrical components, **DO NOT** use a spray cleaner of any kind.

To clean the inner surface of the decorative door panel,

1. Remove the 8 screws (shown below) to slide the door panel out of the door.
2. Clean the surface using a soft, damp cloth.
3. When finished, slide the panel back into place and reinsert the screws.

NOTE: Do not overtighten the screws!



Winterizing Your Dishwasher

For dishwashers installed in RV's, boats, or wherever it will be exposed to freezing temperatures, take these steps to protect it from freezing.

1. Turn off electrical power to the dishwasher.
2. Turn off the water supply and disconnect the water inlet hose from the water supply hose
3. Drain the water from the inlet pipe and water valve (Use a pan to catch the water).
4. Reconnect the water inlet hose to the water supply.
5. Remove the filter assembly at the bottom of the tub and use a sponge to soak up any water left in the sump area.

NOTE: If your dishwasher cannot work because it has become frozen, please contact a service professional.

TROUBLESHOOTING

COMMON PROBLEMS & SOLUTIONS

PROBLEM	POSSIBLE CAUSE	SOLUTION
Dishwasher will not start	<ul style="list-style-type: none"> • Dishwasher not receiving electrical power • Power supply not turned on • Door is unlatched • Dishwasher not level 	<ul style="list-style-type: none"> • Check electrical connection fuse/circuit breaker • Make sure the dishwasher is turned on and the power cord is properly plugged into the wall socket • Make sure the door is closed securely • Make sure dishwasher is installed on a 'solid' level surface
Water remains in the bottom of the tub	<ul style="list-style-type: none"> • A small amount of water is normal • Excessive amount of water; Cycle is not completed • Drain hose kinked • Filter clogged • Kitchen sink clogged 	<ul style="list-style-type: none"> • This is necessary to keep the pump primed and is drained automatically at the beginning of each cycle • Allow the dishwasher to complete full cycle • Check drain hose • Clean the filter • Check that sink is draining properly
The dishes are not clean	<ul style="list-style-type: none"> • Improper loading • Spray arm not rotating freely • Not enough detergent and/or improper detergent being used • Improperly prepared dishes • Incorrect program • Too little detergent • Water inlet hose kinked/bent due to improper installation • Filter needs to be cleaned 	<ul style="list-style-type: none"> • Arrange dishes so spray arm can rotate freely and spray action reaches all surfaces. • Do not overload dishwasher • Make sure nothing (i.e. cutlery) is obstructing spray arm rotation. Make sure filter screen has not become dislodged and is not obstructing spray arm rotation. • Use more dish washing detergent. Do not use detergent that is hard or caked. Use only a recommended dishwashing detergent. • Excess food soil and liquids should be removed from dishes before loading • Select a longer wash cycle • Use more/change your detergent • Eliminate kink/bend from inlet hose • Clean the filter and spray arm jets
The dishes are not drying	<ul style="list-style-type: none"> • Improper loading • Too little rinse-aid • Dishes are removed too soon • Wrong program selection 	<ul style="list-style-type: none"> • Load the dishes according to suggested guidelines • Increase the amount of rinse-aid/Refill the rinse-aid dispenser • Do not empty your dishwasher immediately after washing. Open the door slightly so that the steam can escape and until dishes are barely warm to the touch. Empty the lower basket first to prevent water from dripping off of dishes from the upper basket. • Select a longer program with a warmer wash temperature.

TROUBLESHOOTING COMMON PROBLEMS & SOLUTIONS

PROBLEM	POSSIBLE CAUSE	SOLUTION
The dishes are not drying (cont'd)	<ul style="list-style-type: none"> • Dishes are not dishwasher safe 	<ul style="list-style-type: none"> • Only wash and dry items that are dishwasher safe
Cloudiness on glassware	<ul style="list-style-type: none"> • Soft water and too much detergent 	<ul style="list-style-type: none"> • Use less detergent and select a shorter wash cycle
Black/Gray marks on dishes	<ul style="list-style-type: none"> • Aluminum utensils have rubbed against dishes 	<ul style="list-style-type: none"> • Use a mild abrasive cleaner to eliminate the marks
Detergent remains in the dispenser	<ul style="list-style-type: none"> • Improper loading 	<ul style="list-style-type: none"> • Load the dishwasher so dishes do not block detergent cups
Suds in the tub	<ul style="list-style-type: none"> • Improper detergent 	<ul style="list-style-type: none"> • Use only recommended dish washing detergent. Open door and let suds evaporate. Add 1 gallon of cold water to the tub. Close the dishwasher then run the Soak cycle to drain out water. Repeat if necessary.
Stained tub interior	<ul style="list-style-type: none"> • Spilled rinse-aid • Detergent with colorant was used 	<ul style="list-style-type: none"> • Always wipe up rinse aid spills immediately • Make sure the detergent is one without colorant
White film on inside surface	<ul style="list-style-type: none"> • Hard water minerals 	<ul style="list-style-type: none"> • To clean the interior, use a damp sponge with dishwashing detergent and wear rubber gloves. Never use any other cleaner than dishwashing detergent .
Rust stains on cutlery	<ul style="list-style-type: none"> • The affected items are not corrosion resistant 	<ul style="list-style-type: none"> • Only wash dishwasher safe cutlery in the dishwasher
Knocking/Rattling noise in wash cabinet	<ul style="list-style-type: none"> • Spray arm not rotating freely or improper loading of dishes 	<ul style="list-style-type: none"> • Arrange dishes so spray arm can rotate freely and they are secure in the rack
Knocking noise in water pipes	<ul style="list-style-type: none"> • This may be caused by on-site piping 	<ul style="list-style-type: none"> • This has no influence on dishwasher operation

TROUBLESHOOTING

COMMON PROBLEMS & SOLUTIONS

ERROR CODE	MEANS	POSSIBLE PROBLEM
E1	<ul style="list-style-type: none">LONG WATER FILL TIME	<ul style="list-style-type: none">Faucet is not open
E4	<ul style="list-style-type: none">ABNORMAL WATER LEVEL	<ul style="list-style-type: none">Too much inlet water pressure.Leak



WARNING



If overflow occurs, turn off the main water supply before calling for service. If there is water in the base pan because of a leak or overflow, the water should be removed before restarting the dishwasher.

IF YOU NEED SERVICE

This Vesta™ appliance comes with a Limited Warranty (please read the Limited Warranty Statement that came with your dishwasher for complete details.) You'll find many answers to common problems in the Troubleshooting section of this manual. If you read this section first, you may not need to call for service at all. If you do need service, you can relax knowing that help is only a phone call away.



Call our Technical Service and Assistance Department toll-free at

1-800-356-0766

Monday-Friday, 7:00 AM - 4:30 PM (Pacific Time)

VESTA™

Vesta DWV335BBS
Automatic Compact Dishwasher

Westland Sales Corporate Headquarters : Clackamas, OR
Westland Sales Elkhart Operations: Elkhart, IN
Phone: 503-655-2563 Toll-Free: 800-356-0766
www.westlandsales.com

© 2011 Westland Sales