

Parts List:

- Lock Nuts (10)
- 1/4" Cap Screw (8)
- Cap Screw Wrench (1)
- Velcro (2)



* Thumb Screw not provided, 1/4-20 Threaded insert for Ham Radio

Required Tools:

- 7/16" socket (bolts to be hand tight, do not over tighten)

Noise Reduction

Lay Velcro (2) places into Twist to reduce pole noise if needed.



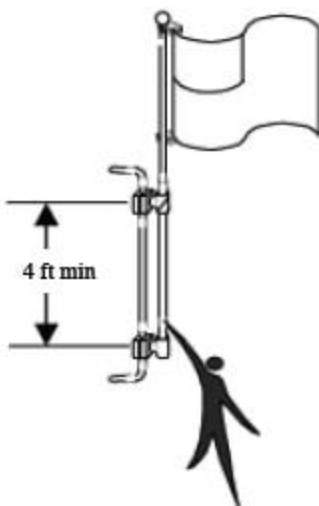
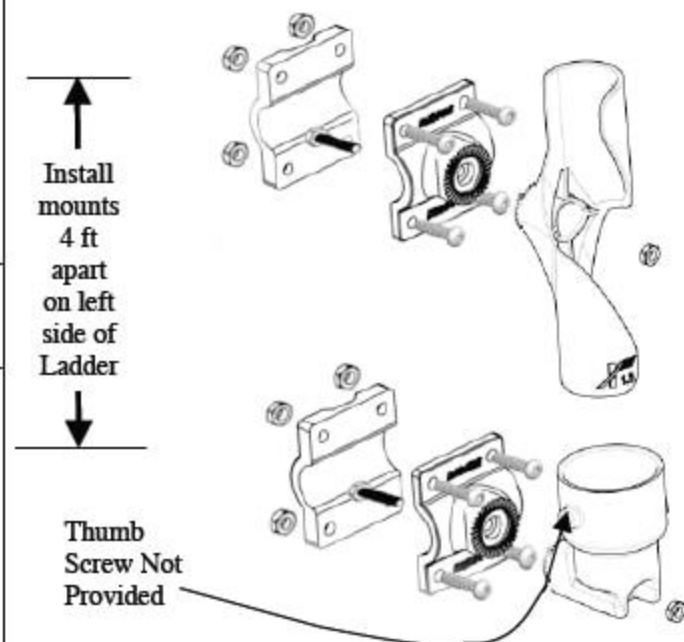
Height Setting:

- Upper Holder mounts on the Left Side of the ladder and as high as possible. The Holders was designed for the left side of ladder but can work on right side of ladder if rotated outward.

- Lower Holder mounts within your reach from the ground. You should be able to insert the Pole from ground level. The Lower Holder will set the overall height of your flagpole.

- **Spacing** between the Upper & Lower Holders should be a minimum of 4 feet. Leverage plays a big part in the design of our holding system. The farther apart the holders are, the more wind loading the pole system can withstand.

- **Alignment** of the Upper & Lower Holders should be performed before tightening nuts & bolts. Upper and Lower Holders/mounts need to be in straight line.



Ladder Sizing:

Due to manufacturing tolerances, some RV Ladders may be smaller in diameter and allow the FPB Mounts to rotate around the ladder after installation. If you can rotate the FPB Mounts around the ladder by hand, they need to be tightened. Remove the mounts and insert several strips of tape (duct tape works well) in the half round of the Cap. This will tighten the fit around the ladder.



Customers Satisfaction Guarantee:

If you're not happy..... we're not happy! If the product you receive from Imtyris is not to your liking we will make every effort to compensate you, so you become a happy customer.

Imtyris LLC