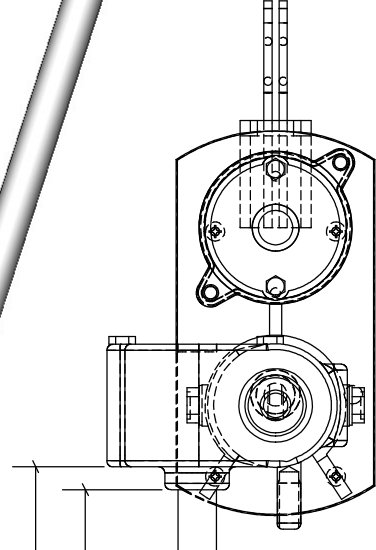
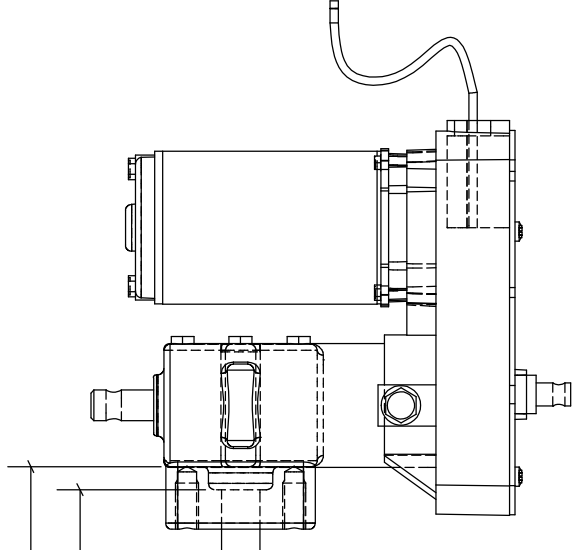


ISOMETRIC VIEW



FRONT VIEW



BOTTOM VIEW

18:1 MOTOR/DRIVESHAFT FOR STANDARD SINGLE AFSS

LIPPERT
LIPPERT COMPONENTS, INC.
A Lippert Components Subsidiary



2703 College Ave.
Goshen, IN 46528
(574) 535-1125 Phone
(574) 975-2883 Fax

DWG. NO. 117292
SCALE: 1:3
REV. C
PAGE: 1 OF 1

REV.		DATE	INIT.	DESCRIPTION
B		10/30/2007	ENG	ADD SECOND KEY SLOT
C		10/2/2014	PP	REMOVED SECOND KEY SLOT

DRAWN BY: JWM	DATE 03/07/05	PROPRIETARY AND CONFIDENTIAL THE INFORMATION CONTAINED IN THIS DRAWING IS THE SOLE PROPERTY OF LIPPERT COMPONENTS, INC. ANY REPRODUCTION IN PART OR AS A WHOLE WITHOUT THE WRITTEN PERMISSION OF LIPPERT COMPONENTS, INC. IS PROHIBITED.
APPROVED BY:	DRAWING NOTES: DIMENSIONS ARE IN INCHES TOLERANCES: FRACTIONAL: $\pm 1/32$ XX: $\pm .003$ XX: $\pm .001$ ANGLE: ± 1 DEGREE	