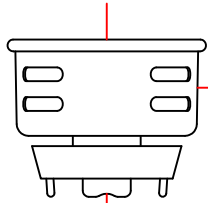
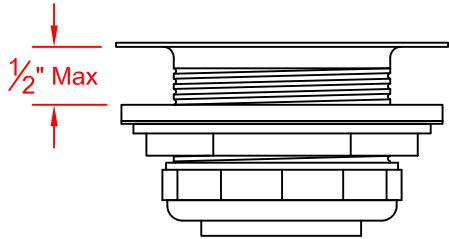
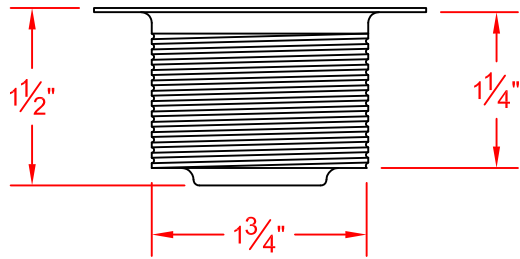
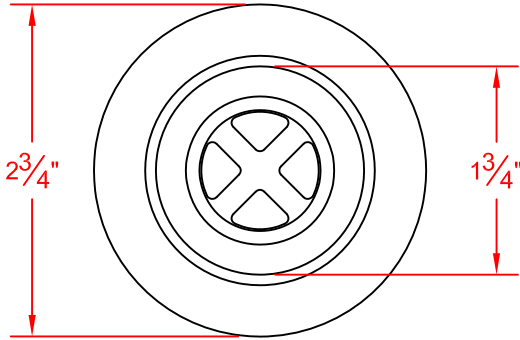
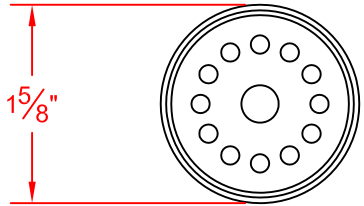
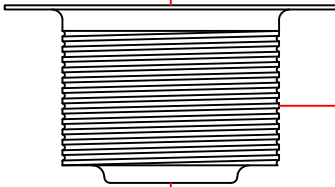


REVISIONS				
ZONE	REV	DESCRIPTION	DATE	APPROVED



Crumb Cup
With Stopper
430 SS



Strainer Body
430 SS

1-1/2" x 11.5 Modified
NPSM Threads



Strainer Gasket
EPDM



Friction Washer
Fiber



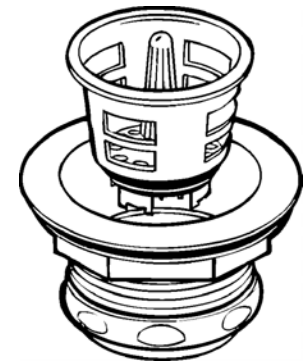
1-1/2" Locknut
Zinc



Top Hat Washer
Polyethelyene



1-1/2" Direct Connect Nut
Zinc



Pro-Plus Brand **PROPLUS**[®]

TOLERANCE UNLESS OTHERWISE SPECIFIED

.XXXX	± .0005
.XXX	± .005
.XX	± .010
.X	± .015

Bar Sink / Laundry Tub Strainer Assembly
Fits Standard 2-1/2" Drains

Units	Inches	DWG NO.	122079	REV
-------	--------	---------	--------	-----

Drawn By: J.C.	Date: 06/25/07	App'v'd By: N/A
----------------	----------------	-----------------

SCALE: NTS	SHEET 1 of 1
------------	--------------