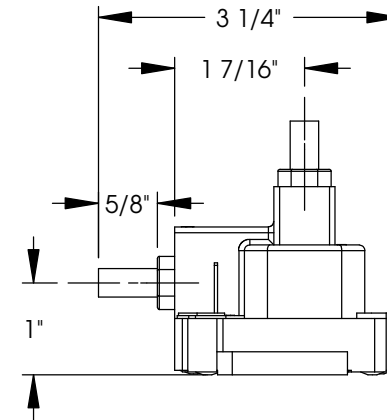
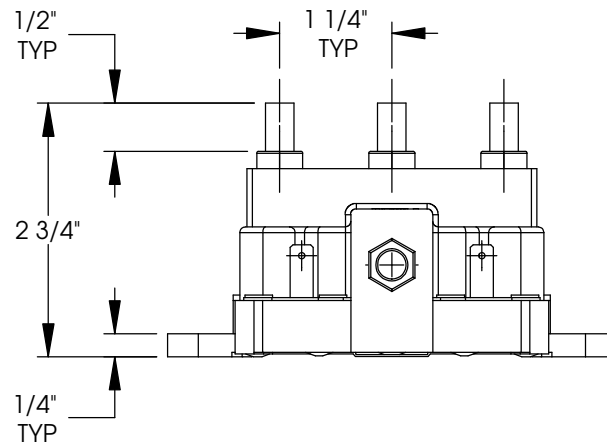
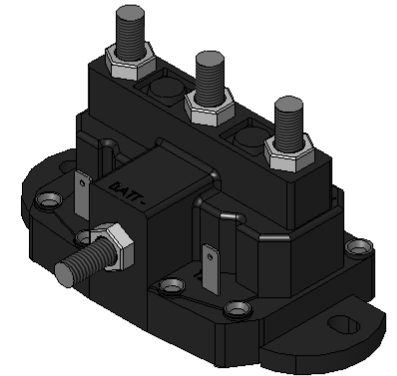
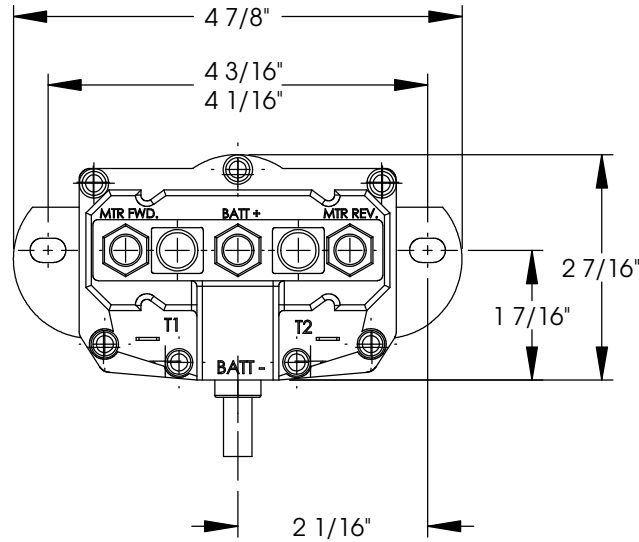



NOTES:

1. COIL VOLTAGE: 12VDC
COIL RESISTANCE: 5.6 OHMS
2. CONTACT RATING @ 12VDC:
75A FOR 5 MINUTES
125A FOR 30 SECONDS
150A BREAK CURRENT
3. MAX. SUSTAINED DUTY CYCLE: 20%
4. MAX. ON TIME: 5 MINUTES
5. LOW CURRENT TERMINALS: 1/4" MALE QUICK CONNECT
6. HIGH CURRENT TERMINALS: 5/16-24 STUD (MAX. 35 IN.LB. TORQUE)
7. ALL DIMENSIONS ARE FOR REFERENCE ONLY

REVISION HISTORY

REV	DATE	DESCRIPTION	DWR	APVD
A	11/19/2007	INITIAL RELEASE	JMM	JMM
B	4/24/2013	UPDATE PRINT	DAL	KB



TITLE: STANDARD TROMBETTA SOLENOID (BRONZE POSTS)					
UNLESS OTHERWISE SPECIFIED 1. ALL DIMENSIONS ARE IN INCHES BREAK SHARP EDGES & DEBURR 2. MATERIAL & FINISH TO BE AS NOTED OR SUBSTITUTED WITH AN APPROVED AND TESTED EQUIVALENT		TOLERANCES (EXCEPT AS NOTED) DECIMAL .X ±.1 .XX ±.03 .XXX ±.005		LIPPERT COMPONENTS	
FILLETES R.015	FINISH 125	 2703 COLLEGE AVE. GOSHEN, IN 46528		THE INFORMATION CONTAINED IN THIS DRAWING IS THE SOLE PROPERTY OF LIPPERT COMPONENTS, INC. ANY REPRODUCTION IN PART OR AS A WHOLE WITHOUT THE WRITTEN PERMISSION OF LIPPERT COMPONENTS, INC. IS PROHIBITED.	
THIRD ANGLE PROJECTION				DWG. NO. 136046	SIZE A
		ENG. DAL	DWN. DAL	SHEET 1	OF 1