

Installation Instructions

Round Bar Weight Distribution With Sway Control

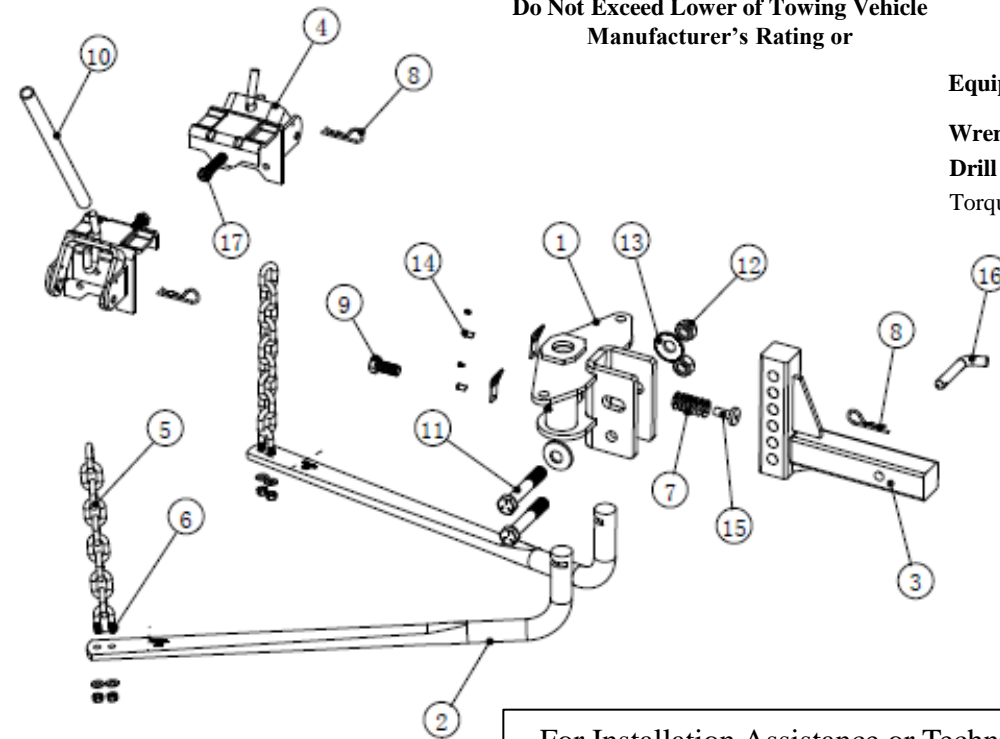
49901IN

Part Numbers:
49901 49902
49903 49904

DEALERS: Please give these instructions to your customer.

Hitch Part Number 49901	Max Gross Trailer WT (LB)	Max Tongue WT (LB)	Hitch Part Number 49902	Max Gross Trailer WT (LB)	Max Tongue WT (LB)
Weight Distributing	10,000	550	Weight Distributing	10,000	750
Weight Carrying Ball Mount	5,000	500	Weight Carrying Ball Mount	5,000	500
Hitch Part Number 49903	Max Gross Trailer WT (LB)	Max Tongue WT (LB)	Hitch Part Number 49904	Max Gross Trailer WT (LB)	Max Tongue WT (LB)
Weight Distributing	10,000	1,000	Weight Distributing	10,000	1,200
Weight Carrying Ball Mount	5,000	500	Weight Carrying Ball Mount	5,000	500

**Do Not Exceed Lower of Towing Vehicle
 Manufacturer's Rating or**



Equipment Required:

Wrenches: 9/16", 3/4", 1-1/8"

Drill Bits: 11/32"

Torque Wrench capable of reading 260 ft.-lbs.

For Installation Assistance or Technical Help, Call 1-888-521-0510

①	Qty. (1)	BALL MOUNT	⑩	Qty. (1)	LIFTER HANDLE
②	Qty. (2)	SPRING BAR	⑪	Qty. (2)	¾"-10 X 4 ½" BOLTS
③	Qty. (1)	HITCH BAR	⑫	Qty. (2)	¾"-10 NUT
④	Qty. (2)	SNAPUP BRACKET	⑬	Qty. (2)	¾" CONICAL WASHER
⑤	Qty. (2)	SAFETY CHAIN	⑭	Qty. (2)	SPRING BAR LOCK ASSEMBLY
⑥	Qty. (2)	3/8" U-BOLT, NUT, & WASHER	⑮	Qty. (1)	RIVET
⑦	Qty. (7)	SPACER WASHER	⑯	Qty. (1)	PULL PIN
⑧	Qty. (3)	SPRING CLIP	⑰	Qty. (2)	SNAP UP BRACKET SET SCREW
⑨	Qty. (1)	SET SCREW			

Installation Instructions

Round Bar Weight Distribution With Sway Control

49901IN

Part Numbers:

49901
49902
49903
49904

INDEX

1. SIZING WD AND TRAILER HITCH SYSTEMS	P. 1
2. INITIAL SET UP	P. 1 - 2
3. INITIAL HOOK UP	P. 2 - 4
4. SWAY CONTROL	P. 5
5. SWAY CONTROL INSTALLATION	P. 6
SWAY CONTROL HOOK-UP	
SWAY CONTROL ADJUSTMENT	
SWAY CONTROL UNHOOKING	
6. WARNINGS	P. 7
7. TOWING TIPS	P. 7
8. NOTES	P. 8
9. 10 YEAR LIMITED WARRANTY	P. 8

WARNING:

Failure to follow all of these instructions may result in death or serious injury!

SIZING WD AND TRAILER HITCH SYSTEMS

1. Refer to provided Consumer Information to weigh loaded trailer tongue to determine proper system size.
2. Choose a system with tongue rating at or above the actual trailer tongue weight
3. Tongue rating of trailer hitch must meet or exceed measured tongue weight of trailer. OEM hitches may not be rigid enough for tongue weight and may need to be replaced (too much flex and won't carry load).
4. Total trailer gross weight rating must never exceed tow vehicle rated gross tow rating.

INITIAL SET-UP

1. Line up tow vehicle and trailer on level pavement, in straight-ahead position, uncoupled.
2. Level the trailer and measure and record the distance from the ground to the top of the coupler. (Fig.1).

WARNING: Raised balls usually have reduced load ratings. Ball rating MUST equal or exceed trailer GVWR.

Note: Numbers in circles can be found in the chart on page (1)

3. Some installations may require a longer hitch bar ③ . Extended bumper guards, pickup truck "caps", or rear mounted spare tires can limit turn angles unless a longer bar is used. Individual hitch bars ③ are available in various sizes.
4. Insert the hitch bar ③ into the hitch box and install a pull pin ⑥ and gold spring clip ⑨ . Hitch bar ③ may be used in either the up or down position (see Fig. 2).

NOTE: The ball height should be greater than coupler height by approximately 3/4 to 1" (measured in step 2) to compensate for vehicle squat. For vehicles with air springs, air shocks or an automatic leveling system, check vehicle owners manual. Unless otherwise specified, level the trailer with the vehicle loaded as it will be when towing before setting ball height and attaching trailer.

Installation Instructions

Part Numbers:

Round Bar Weight Distribution With Sway Control 49901IN

49901
49902
49903
49904

5. Slide hitch bar into sleeve receiver; insert hitch pin and gold spring clip. With ball attached to ball mount, slide ball mount up or down hitch bar (hitch bar may be used in the up or down position) until nearest dimension is obtained and holes line up with hitch bar. Insert bolt in bottom hole first (rest hitch head.)

6. Rivet ⑤ and 8 spacer washers ⑦ are supplied in order to gain correct downward angle of spring bars. Insert rivet ⑤, and depending on angle or slope of bars that must be gained, use either 8 or the least amount of washers ⑦ necessary in order to establish correct angle. (See Fig. 1, 2, and 3 below.)

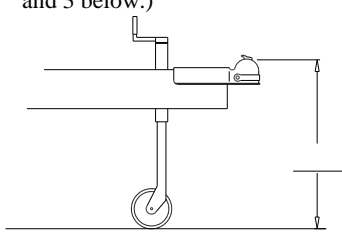


Fig. 1

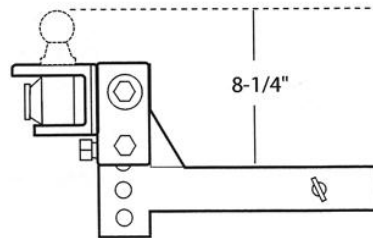


Fig. 2

7. The rivet ⑤ and its accompanying washers ⑦ are placed in the 1/2" hole between the "U" on ball mount ① to acquire desired angle of spring bar ②. Once spring bar ② angle has been determined, insert top bolt ⑩ with serrated washer ③. Install second serrated washer ③ and nut ② to secure unit in correct position. Before tightening bolts, lock set screw ⑨. Tighten the 3/4" top bolt ⑩ to 260 ft. lbs. torque once head angle is set. Secure lower bolt ⑩ to 260 ft. lbs. torque. After first day of towing, check set screw ⑨ for tightness.

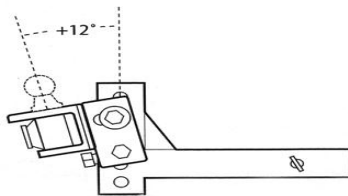
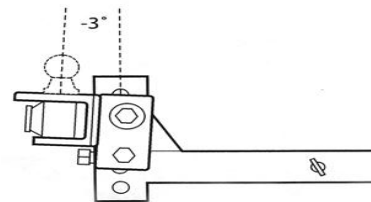


Fig. 3

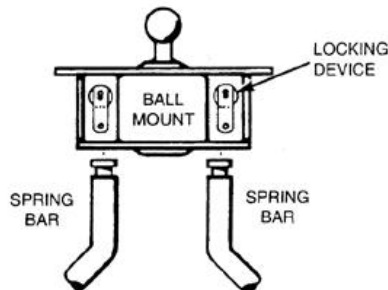


EACH WASHER LOWERS CHAIN END OF SPRING BAR APPROX 1-1/2"

INITIAL HOOK-UP

NOTE: Tow Vehicle and trailer should be loaded and ready for travel before final leveling.

1. Pick a reference point on the front wheel well. Measure and record distance to pavement.
Front wheel well to pavement _____
2. Using tongue jack, lower coupler onto ball and close coupler latch.
3. The Spring Bars can be inserted into either side of Ball Mount (there is no 'right' or 'left bar'). To lock, insert and lock Spring Bar in socket, hold bar under socket and push up. The Spring Bar will automatically be locked into position by the Spring Bar Locking Device. (Check to make sure bar is locked in by moving it up and down at the chain end.)
4. To remove Spring Bars, just pull out on the locking device or swing bar around under the bumper and it will drop free.



5. Position the snap up brackets on trailer "A" frame so that the chain on the end of the spring bar is approximately vertical. Turn set-screw until it contacts frame. Then tighten 1/4 turn with wrench. **DO NOT OVERTIGHTEN.**

Installation Instructions

Round Bar Weight Distribution With Sway Control

49901IN

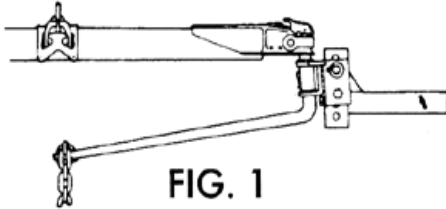
Part Numbers:

49901
49902
49903
49904

6. Raise trailer tongue and rear of vehicle with the tongue jack. Approximately 8-12 inches. Lower yoke of snap up bracket until it is parallel with the ground, and slip the closest link over the hook (If there are less than 5 links between hook and u-bolt adjust ballmount angle rearward, and repeat procedure - see Fig. 1 to 4 below). With the snap up bracket handle over the yoke, raise until yoke has passed "over-center". Slide the silver safety pin through the small hole to lock the yoke in place. Repeat for other side.

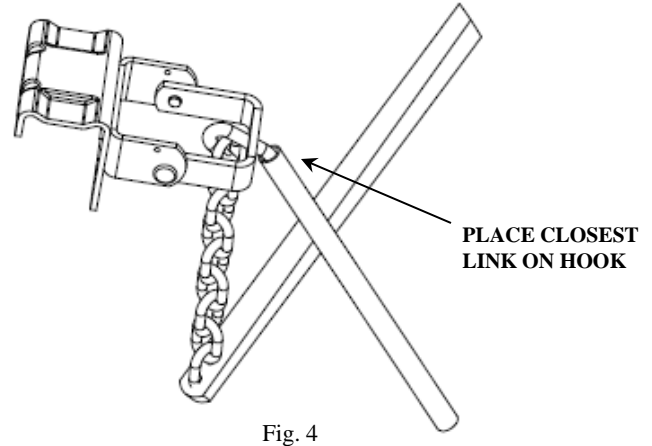
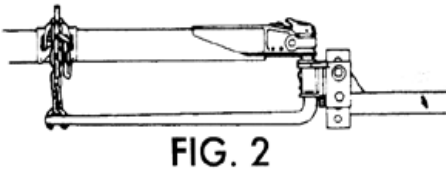
BEFORE HOOKING UP

Spring bars should hang down on a 10° to 13° angle when ball mount has been tilted back at 6° to 8° angle.



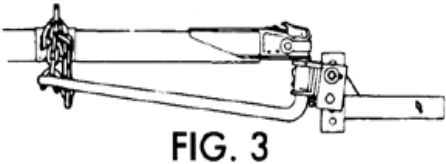
AFTER HOOKING UP

Spring bar should be parallel with trailer frame, or a slight angle up or down.



WRONG

Readjust degree of tilt on ball mount, if you have more than 5 links of chain hanging free. The number of links should be the same on both bars.



7. Lower jack. Re-measure front wheel well reference point. The front wheel well height should be equal to or lower than the original measurement. If the front wheel well height is higher than originally measured, reduce the number of links between the yoke hook and spring bar (5 links min.) and recheck the wheel well measurement. If the front wheel well is lower than originally measured, increase the number of chain links between the yoke hook and spring bar and recheck the wheel well measurement. If the original wheel well height is not achievable, it is preferred that the wheel well height is lower after the spring bars are loaded. If there are no more chain links for adjustment, the head assembly must be tilted forward. The trailer must be uncoupled and the upper bolt removed from the head assembly. The head is then pivoted up as appropriate. Reassemble and recheck the wheel well height.

LUBRICATION

1. **MAINTENANCE:** Use heavy lubrication such as fiber type wheel bearing grease on hitch ball and on spring bars. Recommended every day. Keep hitch painted to prevent rust and check tightness of bolts regularly. Clean out old grease, do not let it harden inside of the Ball Mount.

SURGE BRAKES

1. Some surge brakes will not work with weight distributing hitches. CHECK TRAILER AND/OR SURGE BRAKE OPERATING INSTRUCTIONS FOR ANY SPECIAL REQUIREMENTS REGARDING WEIGHT DISTRIBUTING HITCHES.
Do not use sway control with surge brakes.

Installation Instructions

Round Bar Weight Distribution With Sway Control

49901IN

Part Numbers:
49901
49902
49903
49904

SWAY CONTROL

Please read all instructions carefully before assembly, installation and/or use of this product.

WARNING:

You change the characteristics of a tow vehicle by towing a trailer
 When towing a trailer, you may find more sway in short wheel base vehicles. Exercise extra CAUTION.
 Any welding should be done by a qualified welding shop.

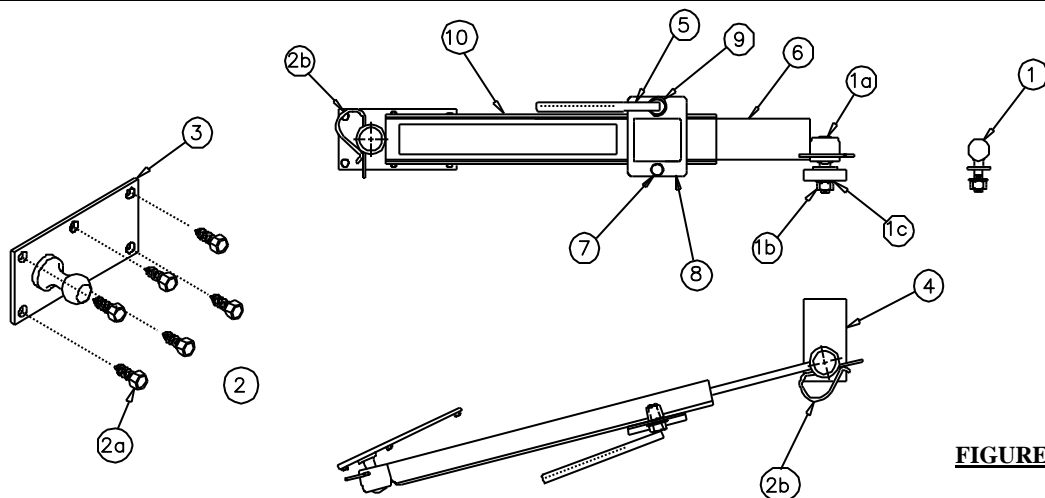


FIGURE 1

REF. QTY.	DESCRIPTION	REF. QTY.	DESCRIPTION
1	1 Ball Assembly	4	1 Bar - Ball Mounting (sold separately)
1a	1 Ball	5	1 Handle, On/Off
1b	1 Nut, Hex, 5/8"-11	6	1 Slide Bar
1c	1 Lock Washer	7	1 Bolt, Tension Adjusting
2	1 Fastener Kit	8	1 Compression Plate Ass'y
2a	6 Screw, Self Tapping 24-9 X 1"	9	1 Washer, Hardened
2b	2 Clip	10	1 Main Body Ass'y
3	1 Ball/Plate Assembly		

IMPORTANT

1. **SWAY CONTROL CANNOT BE USED ON TRAILERS WITH SURGE BRAKES. DO NOT USE SWAY CONTROL ON CLASS I HITCHES.**
2. Trailer loading: Proper trailer loading is your first-line of defense against dangerous instability and sway. Heavy items should be placed on the floor in front of the axle. The load should be balanced side-to-side and secured to prevent shifting. Tongue weight should be about 10-15 percent of gross trailer weight for most trailers. Too low a percentage of tongue weight can cause sway. Load the trailer heavier in front.
3. The handle (5) is an on/off device. The bolt (7) below is for adjustment only.
4. When towing during slippery conditions such as wet, icy, or snow-covered roads or on loose gravel, turn on/off handle (5) counterclockwise until all tension is removed from unit. Failure to do so could prevent tow vehicle and trailer from turning properly.
5. Do not speed up if sway occurs. Sway increases with speed. Do not continue to operate a swaying vehicle. Check trailer loading, sway control adjustment and all other equipment until the cause of sway has been determined and corrected.
6. Never paint or lubricate slide bar (6).

Installation Instructions

Round Bar Weight Distribution With Sway Control

49901IN

Part Numbers:
49901
49902
49903
49904

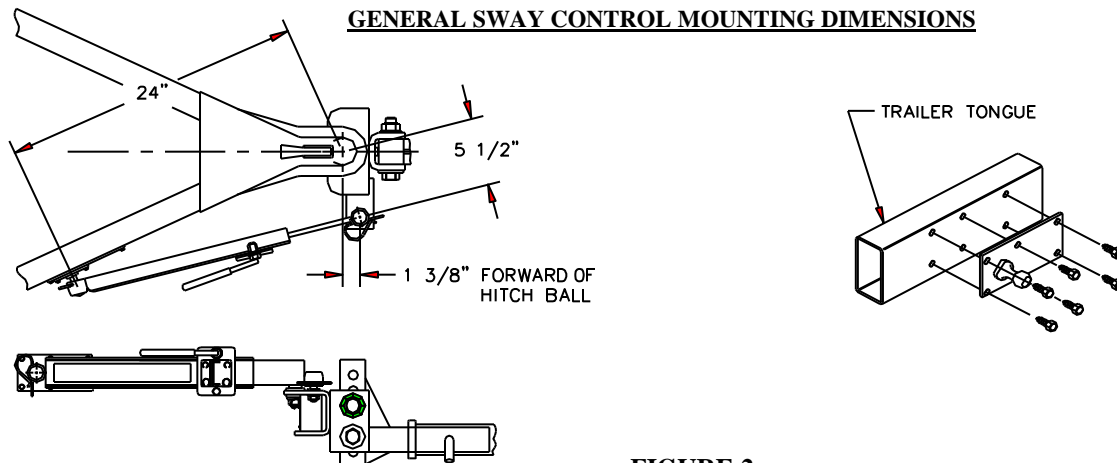


FIGURE 2.

SWAY CONTROL INSTALLATION

1. Refer to Figures 1 and 2

- Connect trailer to tow vehicle. Position vehicle and trailer in a straight line on a level surface.
- Mount sway control ball (1a) using nut (1b) and lock washer (1c) to hitch as shown in Figure 2 and torque to 100 lb.-ft. If necessary notch and weld ball mounting bar (4) (sold separately) into position shown.
- Measure and mark a point on the trailer tongue 24" from the center of the hitch ball as shown in Figure 2.
- Align the center of the ball of the ball/plate assembly (3) with the mark on the trailer tongue and center punch four hole locations. Drill four holes using an 1 1/32 (.343) drill bit for 1/8" (.125) or thicker trailer tongue material, or a 9/32" (.281) drill bit for thinner material.
- Position the ball/plate assembly (3) over the drilled holes and drive four of the self tapping screws (2a) through the plate and into the trailer tongue. Drill the two remaining holes and install the screws.

NOTE: For left hand installation, remove slide bar (6), and reinstall upside down.

2. HOOK-UP

- Lubricate both balls with a small amount of grease, place socket of slide bar (6) over ball (1) and secure with gold clip (2b). Loosen handle (5) until the slide bar can be moved. Extend sway control assembly and place socket over ball on trailer, secure with other gold clip (2b).
- Retighten handle until it stops.
- On some installations, damage to the sway control may occur during extremely sharp turning maneuvers. This can be checked by slowly backing vehicle into a jackknife position while someone is watching. Do not allow slide bar to contract completely (bottom out) or bumper to contact sway control. If it looks as though contact will be made or the sway control will bottom out then the sway control must be removed before backing trailer.

3. ADJUSTMENT

- Trailer configurations and loading, road and weather conditions, towing speed, tire condition and pressure, and center of gravity of trailer all affect towing. To get maximum benefits from the sway control assembly, a series of road tests should be taken with the loaded trailer. On subsequent trips increase or decrease tension by turning the adjusting bolt (7) in 1/4 turn increments in the direction shown on the label until the desired control is achieved. For large trailers, it may be necessary to install a second sway control unit.
- After about 1000 miles of towing, remove the slide bar from the sway control and clean the friction surfaces with a wire brush. Repeat this cleaning procedure about every 10,000 miles.

4. UNHOOKING

- Release tension by turning on/off handle counterclockwise.
- Remove both clips (2b), remove sway control.

Installation Instructions

Round Bar Weight Distribution With Sway Control

49901IN

Part Numbers:
49901 49902
49903 49904

WARNINGS: LOADED BALL HEIGHT SHOULD NOT BE GREATER THAN UNCOUPLED BALL HEIGHT. Front wheel overload and loss of rear wheel traction can result, and can lead to unstable handling, reduced braking ability, and a tendency to "jackknife" when turning and braking at the same time. IF LOADED BALL HEIGHT IS GREATER THAN UNCOUPLED HEIGHT, reduce take-up on spring bar chains and re-measure until proper height is obtained.

DO NOT TOW MULTIPLE TRAILERS: Do not attempt to tow any type of trailer behind another trailer. Towing multiple trailers may cause severe instability, loss of control and/or structural failure, and may result in vehicle accident, property damage and personal injury. Towing multiple trailers is illegal in many jurisdictions.

FRONT-WHEEL-DRIVE VEHICLES: DO NOT ATTEMPT TO HOOK-UP OR TOW WITH REAR WHEELS OF TOWING VEHICLE REMOVED. Severe structural damage to towing vehicle, hitch, and trailer may result. A towing vehicle/trailer combination cannot be controlled adequately unless the towing vehicle's rear wheels are carrying their share of the load.

MAINTENANCE: Keep sockets in head assembly free of dirt and well lubricated. Excessive wear in this area may indicate overload or inadequate lubrication.

Keep head assembly exterior clean, especially the spring bar sockets. Do not allow dirt or stones to lodge between spring bar and head.

Keep hitch painted to prevent rust and maintain a good appearance. (Do not paint over labels)

AT THE BEGINNING OF EVERY TOWING DAY:

- Clean ball and coupler socket and coat ball lightly with grease.
- Check spring bar chains and U-bolts for wear. Replace before they become worn halfway through.
- Check to see that all bolts are properly tightened and hitch pin and clip are securely in place.
- Check to see that electrical hookups are in working order, and that safety chains are connected.

TOWING TIPS

DRIVING: Good habits for normal driving need extra emphasis when towing. The additional weight affects acceleration and braking, and extra time should be allowed for passing, stopping, and changing lanes. Signal well in advance of a maneuver to let other drivers know your intentions. Severe bumps and badly undulating roads can damage your towing vehicle, hitch, and trailer, and should be negotiated at a slow steady speed. IF ANY PART OF YOUR TOWING SYSTEM "BOTTOMS" OUT, OR IF YOU SUSPECT DAMAGE MAY HAVE OCCURED IN ANY OTHER WAY, PULL OVER AND MAKE A THOROUGH INSPECTION. CORRECT ANY PROBLEMS BEFORE RESUMING TRAVEL.

CHECK YOUR EQUIPMENT: Periodically check the condition of all your towing equipment and keep it in top condition.

TRAILER LOADING: Proper trailer loading is important. Heavy items should be placed close to the floor near the trailer axle. The load should be balanced side-to-side and firmly secured to prevent shifting. Tongue weight should be about 10-15 percent of the gross trailer weight for most trailers. Too low a percentage of tongue weight will often produce a tendency to sway. Excess weight on the tongue can also lead to sway and damage hitch and / or tow vehicle.

SWAY CONTROLS: A sway control can help minimize the affects of sudden maneuvers, wind gusts, and buffeting caused by other vehicles. Use of a sway control is recommended for trailers with large surface areas, such as travel trailers.

TIRE INFLATION: Unless specified otherwise by the towing vehicle or trailer manufacturer, tires should be inflated to their maximum recommended pressure.

TOWING VEHICLE AND TRAILER MANUFACTURERS' RECOMMENDATIONS: Review the owners' manuals for your towing vehicle and trailer for specific recommendations, capacities, and requirements.

POLE TONGUE TRAILERS: If your trailer has a straight tongue (instead of an A-frame tongue), it will be necessary to use a pole tongue adapter. This adapter attaches to the trailer tongue, providing a place to attach the snap up brackets.

PASSENGERS IN TRAILERS: Trailers should NOT be occupied while being towed, under any circumstances.

TRAILER LIGHTS, TURN SIGNALS, AND ELECTRIC BRAKES: Always hook up trailer lights, turn signals, electric brakes and break-away switch connection (if so equipped) even for short trips.

REMOVE HITCH WHEN NOT TOWING: Remove hitch from towing vehicle receiver when not towing, to prevent contamination of head sockets, reduce chance of striking hitch on driveway ramps or other objects, and minimize damage in the event of a rear-end collision.

Installation Instructions
Round Bar Weight Distribution With Sway Control
49901IN

Part Numbers:

49901
49902
49903
49904

NOTES:

TEN YEAR LIMITED WARRANTY

Cequent Performance Products, Inc. warrants its Pro Series Weight Distributing systems from date of purchase against defects in material and workmanship under normal use and service, ordinary wear and tear excepted, for 10 years of ownership to the original consumer purchaser.

Cequent Performance Products, Inc. will replace FREE OF CHARGE any part which proves defective in material or workmanship when presented to any **Cequent Performance Products, Inc.** dealer, **Cequent Performance Products, Inc.** Warehouse or returned to factory. TRANSPORTATION CHARGES PREPAID, at the address below. THIS WARRANTY IS LIMITED TO DEFECTIVE PARTS REPLACEMENT ONLY. LABOR CHARGES AND/OR DAMAGE INCURRED IN INSTALLATION OR REPLACEMENT AS WELL AS INCIDENTAL AND CONSEQUENTIAL DAMAGES CONNECTED THEREWITH ARE EXCLUDED.

Some states do not allow the exclusion or limitation of incidental or consequential damages, so the above limitation or exclusion may not apply to you.

Any damage to the Pro Series Weight Distributing system as a result of misuse, abuse, neglect, accident, improper installation, or any use violative of instructions furnished by us, WILL VOID THE WARRANTY.

This warranty gives you specific legal rights, and you may also have other rights which vary from state to state. In the event of a problem with warranty service or performance, you may be able to go to a small claims court, or a federal district court.

Cequent Performance Products, Inc.
47912 Halyard Dr. Suite 100
Plymouth, Mi. 48170

Instructions d'installation

Numéros de pièce :

Attelage à répartition de charge avec contrôle antiroulis - Barres rondes

49901 49902

49901IN

49903 49904

CONCESSIONNAIRES : Veuillez remettre ces instructions à votre client.

Numéro de pièce de l'attelage 49901	Poids brut max. de la remorque (lb)	Poids max. au timon (lb)	Numéro de pièce de l'attelage 49902	Poids brut max. de la remorque (lb)	Poids max. au timon (lb)
Répartition de charge	10,000	550	Répartition de charge	10,000	750
Sans répartition de charge Montage sur boule	5,000	500	Sans répartition de charge Montage sur boule	5,000	500
Numéro de pièce de l'attelage 49903	Poids brut max. de la remorque (lb)	Poids max. au timon (lb)	Numéro de pièce de l'attelage 49904	Poids brut max. de la remorque (lb)	Poids max. au timon (lb)
Répartition de charge	10,000	1,000	Répartition de charge	10,000	1,200
Sans répartition de charge Montage sur boule	5,000	500	Sans répartition de charge Montage sur boule	5,000	500

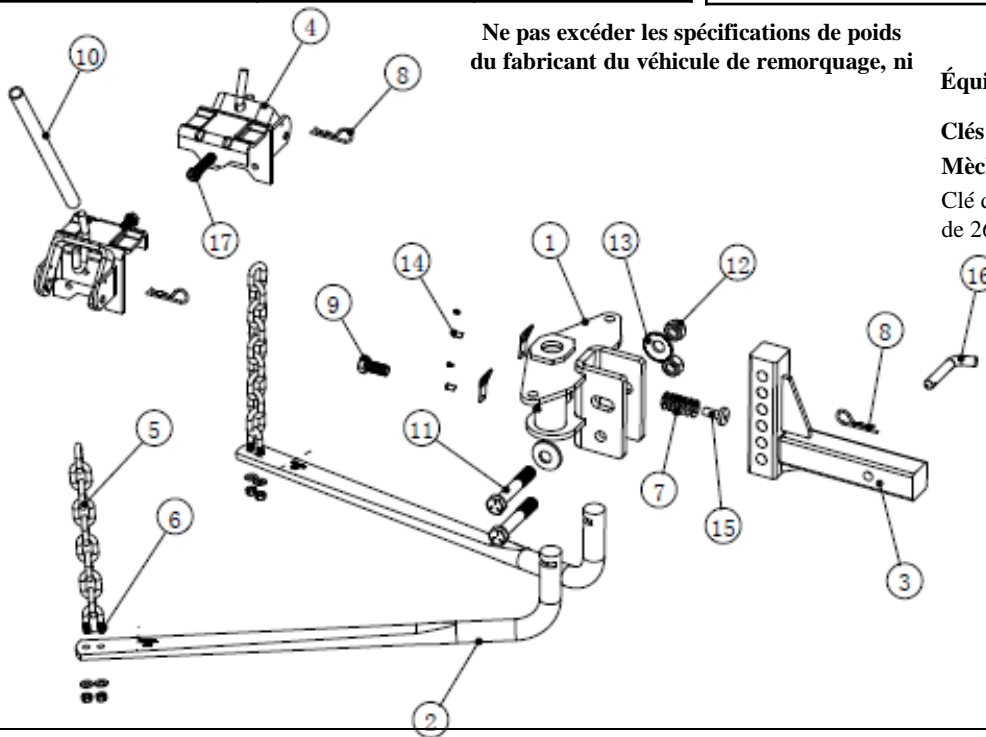
Ne pas excéder les spécifications de poids du fabricant du véhicule de remorquage, ni

Équipement requis :

Clés : 9/16", 3/4", 1-1/8"

Mèches : 11/32"

Clé dynamométrique d'une capacité de lecture de 260 lb-pi.



Pour obtenir de l'assistance pour l'installation ou un autre aspect technique, composer le 1-888-521-0510.

①	Qté (1)	Montage sur boule	⑩	Qté (1)	Poignée du levier
②	Qté (2)	Barre stabilisatrice	⑪	Qté (2)	Boulons 3/4"-10 x 4 1/2"
③	Qté (1)	Barre d'attelage	⑫	Qté (2)	Écrou 3/4"-10
④	Qté (2)	Support encliquetable	⑬	Qté (2)	Rondelle conique 3/4"
⑤	Qté (2)	Chaîne de sécurité	⑭	Qté (2)	Verrouillage de la barre stabilisatrice
⑥	Qté (2)	Boulon en U, écrou et rondelle 3/8"	⑮	Qté (1)	Rivet
⑦	Qté (7)	Rondelle d'espacement	⑯	Qté (1)	Goupille
⑧	Qté (3)	Agrafe-ressort	⑰	Qté (2)	Vis de blocage du support encliquetable
⑨	Qté (1)	Vis de blocage			

Instructions d'installation

Numéros de pièce :

Attelage à répartition de charge avec contrôle antiroulis - Barres rondes **49901**

49901IN **49902**

49903

49904

SOMMAIRE

1. DIMENSIONNEMENT DES SYSTÈMES D'ATTELAGE	P. 1
2. PRÉPARATIFS	P. 1 - 2
3. ACCROCHAGE INITIAL	P. 2 - 4
4. CONTRÔLE ANTIROULIS	P. 5
5. INSTALLATION DU CONTRÔLE ANTIROULIS	P. 6
ACCROCHAGE	
AJUSTEMENT	
DÉCROCHAGE	
6. AVERTISSEMENTS	P. 7
7. CONSEILS DE REMORQUAGE	P. 7
8. REMARQUES	P. 8
9. GARANTIE LIMITÉE DE 10 ANS	P. 8

AVERTISSEMENT :

L'omission d'observer toutes les instructions peut causer des blessures sévères, voire la mort !

DIMENSIONNEMENT DES SYSTÈMES D'ATTELAGE

1. Se reporter aux renseignements fournis à la clientèle afin de déterminer les dimensions de l'attelage qui seront appropriées à la charge exercée au timon de la remorque.
2. Choisir un attelage dont la capacité de charge nominale au timon est égale ou supérieure au poids réel exercé au timon de remorque.
3. La capacité nominale au timon de l'attelage doit être égale ou supérieure au poids exercé au timon de la remorque. Il se peut que les attelages d'origine (du fabricant du véhicule) ne soient pas suffisamment robustes pour la charge au timon et doivent être remplacés (flexion excessive et incapacité de transporter la charge).
4. Le poids brut total de la remorque ne doit jamais excéder la capacité de charge brute nominale du véhicule.

PRÉPARATIFS

1. Aligner le véhicule et la remorque sur une surface pavée de niveau, selon une trajectoire en ligne droite, sans accouplement.
2. Mettre la remorque de niveau, puis mesurer et noter la distance entre le sol et le dessus du coupleur. (Fig.1).

AVERTISSEMENT : Les boules surélevées ont généralement des capacités de charge réduites. La capacité de charge de la boule DOIT être égale ou supérieure au poids nominal brut de la remorque.

Nota : Les numéros encadrés se retrouvent dans le tableau de la page (1)

3. Certaines installations peuvent exiger une barre d'attelage plus longue[Ⓢ]. Des butoirs de pare-chocs allongés, des capots de caisse ou des pneus de rechange montés à l'arrière peuvent limiter l'angle de braquage si une barre allongée n'est pas utilisée. Des barres d'attelage [Ⓢ] sont disponibles dans des tailles variées.
4. Insérer la barre d'attelage [Ⓢ] dans le boîtier d'attelage puis poser la cheville [Ⓣ] et l'agrafe à ressort dorée [Ⓣ]. La barre d'attelage [Ⓢ] peut être utilisé dans la position haute ou basse (voir la Fig. 2).

REMARQUE : La hauteur de la boule doit être supérieure à celle du coupleur par environ 3/4 à 1 po (mesurée à l'étape 2) pour compenser le cabré du véhicule.

Dans le cas de véhicules équipés de ressorts ou d'amortisseurs pneumatiques, ou encore d'un système de nivellement automatique, vérifier le manuel du propriétaire du véhicule. Sauf indication contraire, mettre la remorque de niveau avec le véhicule chargé comme pour le remorquage avant de fixer la hauteur de la boule et d'accoupler la remorque.

Instructions d'installation

Numéros de pièce :

Attelage à répartition de charge avec contrôle antiroulis - Barres rondes

49901
49902
49903
49904

49901IN

5. Glisser la barre d'attelage dans le récepteur à manchon; insérer la cheville d'attelage et l'agrafe dorée. Boule fixée à son montage, glisser ce dernier vers le haut ou le bas de la barre d'attelage (celle-ci peut être utilisée en position haute ou basse) jusqu'à obtenir la distance la plus proche et l'alignement des trous sur la barre. Insérer le boulon dans le premier trou inférieur (reposer la tête d'attelage).

6. Le rivet ⑮ et 8 rondelles d'espacement ⑦ sont fournis afin d'obtenir l'angle d'inclinaison approprié des barres de stabilisation. Insérer le rivet ⑮, et selon l'angle ou l'inclinaison des barres à obtenir, utiliser 8 ou la quantité minimale de rondelles ⑦ nécessaire pour atteindre cet angle. (Voir les Figs 1, 2 et 3 ci-dessous.)

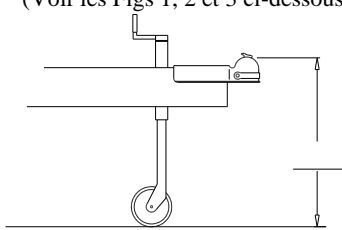


Fig. 1

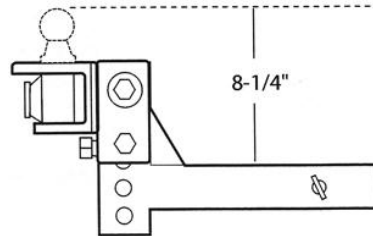
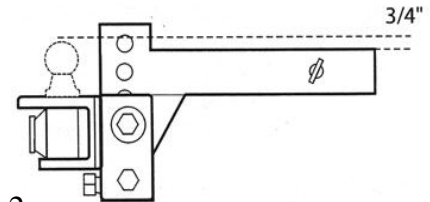


Fig. 2



7. Le rivet ⑮ et ses rondelles ⑦ sont placés dans le trou de 1/2 po entre les branches du support de boule "U" ① pour obtenir l'angle voulu de la barre stabilisatrice ②. Une fois l'angle de la barre stabilisatrice ② déterminé, insérer le boulon supérieur ⑩ avec une rondelle striée ⑬. Insérer la deuxième rondelle conique ⑬ et l'écrou ⑫ pour fixer le dispositif dans la position correcte. Avant de serrer les boulons, verrouiller la vis de blocage ⑨. Serrer le boulon supérieur de 3/4 po ⑩ au couple de 260 lb-pi une fois l'angle de la tête obtenu. Serrer le boulon inférieur ⑩ au couple de 260 lb-pi. Après la première journée de remorquage, vérifier le serrage de la vis de blocage ⑨.

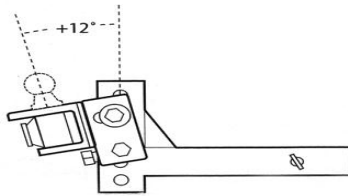
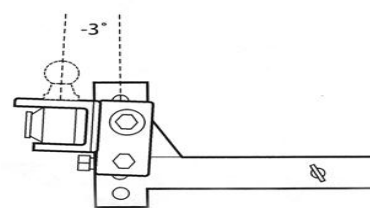


Fig. 3



CHAQUE RONDELLE ABAISSE L'EXTRÉMITÉ DE LA BARRE STABILISATRICE DOTÉE DE LA CHAÎNE SUR ENVIRON 1-1/2 PO.

ACCROCHAGE INITIAL

REMARQUE : Le véhicule et la remorque doivent être chargés et prêts pour le déplacement avant le nivellement final.

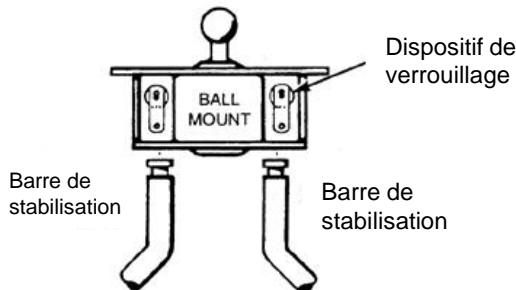
1. Prendre un point sur le passage de roue avant. Mesurer et noter la distance jusqu'à la chaussée.

Passage de roue avant à la chaussée _____

2. À l'aide du vérin de timon, abaisser le coupleur sur la boule et fermer le verrou du coupleur.

3. Les barres stabilisatrices peuvent être insérées de n'importe quel côté du support de boule (il n'y a pas de barre gauche ou droite). Pour insérer et verrouiller la barre stabilisatrice dans le réceptacle, tenir la barre sous ce dernier et pousser vers le haut. La barre stabilisatrice est automatiquement bloquée en position par le dispositif de verrouillage de la barre. (Bouger la barre de haut en bas par l'extrémité munie d'une chaîne pour vérifier que le verrouillage est adéquat.)

4. Pour enlever les barres stabilisatrices, tirer simplement sur le dispositif de verrouillage ou faire pivoter la barre par en dessous du pare-chocs et elles se dégageront en tombant.



5. Placer les supports encliquetables sur le cadre en "A" de façon que la chaîne à l'extrémité de la barre stabilisatrice soit à peu près à la verticale. Tourner la vis de blocage jusqu'à son contact avec le cadre. Puis serrer de 1/4 de tour à l'aide d'une clé. **NE PAS SERRER**

EXCESSIVEMENT.

Instructions d'installation

Numéros de pièce :

Attelage à répartition de charge avec contrôle antiroulis - Barres rondes

49901

49901IN

49902

49903

49904

6. Soulever la flèche de remorque et l'arrière du véhicule à l'aide du vérin de timon. Environ 8 à 12 po (20 à 30 cm). Abaisser la fourche du support encliquetable jusqu'à ce qu'il soit parallèle au sol, et glisser le maillon le plus proche au-dessus du crochet (s'il y a moins de 5 maillons entre le crochet et le boulon en U, ajuster l'angle du support de boule et répéter la procédure - voir les Figs 1 à 4 ci-dessous). Support encliquetable au-dessus de la fourche, élever jusqu'à ce que la fourche ait été « décentrée ». Glisser la goupille de sécurité argentée dans le petit trou pour verrouiller la fourche en place. Répéter du côté opposé.

AVANT L'ACCOUPLMENT

Les barres stabilisatrices doivent s'incliner selon un angle de 10° à 13° lorsque le support de boule a été incliné vers l'arrière selon un angle de 6° à 8°.

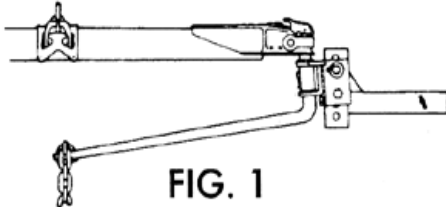


FIG. 1

APRÈS L'ACCOUPLMENT

La barre de stabilisation doit être parallèle au cadre de remorque, ou ne présenter qu'un léger angle vers le haut ou le bas.

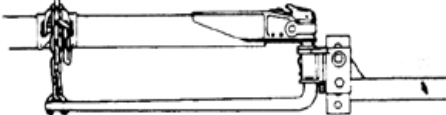


FIG. 2

INCORRECT

Réajuster l'inclinaison du support de boule, si plus de 5 maillons de chaîne pendent librement. Le nombre de liens doit être identique pour les deux barres.

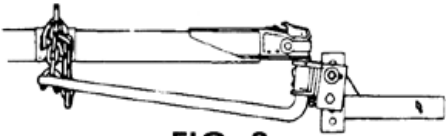


FIG. 3

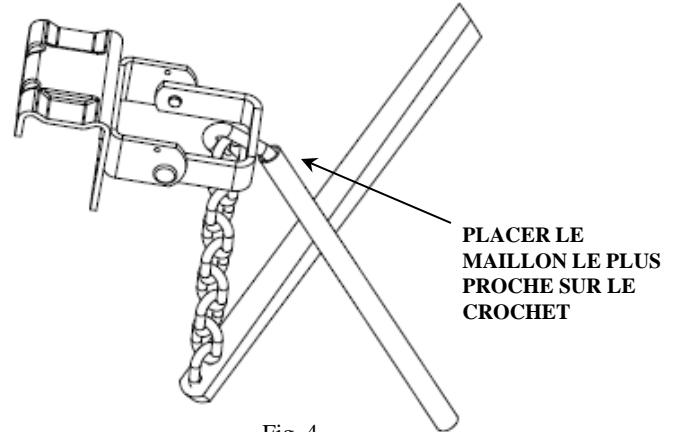


Fig. 4

**PLACER LE
MAILLON LE PLUS
PROCHE SUR LE
CROCHET**

7. Abaisser le vérin. Mesurer de nouveau à partir du point de référence sur le passage de roue avant. La hauteur du passage de roue avant doit être égale ou inférieure à la mesure initiale. Si le passage de roue avant est plus haut, réduire le nombre de maillons entre le crochet de fourche et la barre (5 liens min.) et revérifier la mesure. Si le passage de roue avant est plus bas, augmenter le nombre de maillons entre le crochet de fourche et la barre (5 liens min.) et revérifier la mesure. Si la hauteur du passage de roue n'est pas atteignable, il est préférable que cette hauteur soit plus basse après que les barres de stabilisation auront été chargées. S'il ne reste plus de maillons pour l'ajustement, la tête doit être inclinée vers l'avant. La remorque doit être détachée du véhicule et le boulon supérieur retiré de la tête. On fait alors pivoter la tête vers le haut au besoin. Remonter l'ensemble et revérifier la hauteur du passage de roue.

LUBRIFICATION

1. ENTRETIEN : Pour lubrifier la boule d'attelage et les barres de stabilisation, utiliser un produit à usage intensif tel que la graisse pour roulement de roue à base de fibres. L'application quotidienne est recommandée. Garder l'attelage correctement peint pour prévenir la corrosion et vérifier le serrage des boulons régulièrement. Nettoyer la vieille graisse, ne pas la laisser durcir à l'intérieur du support de boule.

FREINS À INERTIE

1. Certains freins à inertie ne fonctionnent pas avec des attelages à répartition de charge. **CONSULTER LE MODE D'EMPLOI DE LA REMORQUE ET/OU DES FREINS À INERTIE CONCERNANT TOUTE DIRECTIVE SPÉCIALE RELATIVE AUX ATTELAGES À RÉPARTITION DE CHARGE.** Ne pas utiliser de dispositif de contrôle du roulis avec des freins à inertie.

Instructions d'installation

Numéros de pièce :

Attelage à répartition de charge avec contrôle antiroulis - Barres rondes

49901

49901IN

49902

49903

49904

CONTRÔLE ANTIROULIS

Veuillez lire attentivement toutes les instructions avant l'assemblage, l'installation et/ou l'utilisation de ce produit.

AVERTISSEMENT :

Le remorquage modifie les caractéristiques du véhicule qui tire la remorque.

Le roulis peut s'avérer plus important lors du remorquage à partir de véhicules à empattement court. User de PRUDENCE additionnelle.

Tout ouvrage de soudure doit être réalisé dans un atelier de soudage agréé.

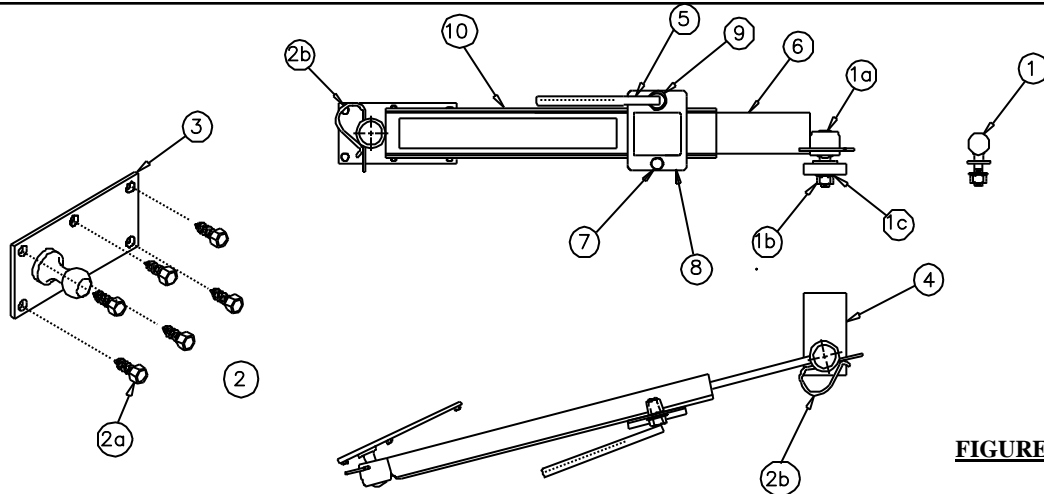


FIGURE 1

Réf.	Qté	Description	Réf.	Qté	Description
1	1	Assemblage boule	4	1	Barre - Montage de boule (vendu séparément)
1a	1	Boule	5	1	Poignée, Ouvert/Fermé (On/Off)
1b.	1	Écrou hexagonal 5/8"-11	6	1	Barre coulissante
1c	1	Rondelle frein	7	1	Boulon, ajustement de tension
2	1	Trousse de visserie	8	1	Assemblage de plaque de compression
2a	6	Vis autotaraudeuse 24-9 x 1"	9	1	Rondelle trempée
2b	2	Agrafe	10	1	Assemblage de plaque de compression
3	1	Assemblage boule-plaque			

IMPORTANT

1. Ne pas utiliser de contrôle antiroulis sur des remorques dotées de freins à inertie. Ne pas utiliser de contrôle antiroulis avec des remorques de Classe I.
2. Chargement de la remorque : Le chargement adéquat de la remorque constitue la première ligne de sécurité contre l'instabilité et le roulis. Les objets lourds doivent être placés près du plancher à l'avant de l'essieu. La charge doit être équilibrée d'un côté à l'autre et solidement arrimée pour prévenir les déplacements. Le poids au timon doit représenter 10 à 15 pour cent du poids brut de la plupart des remorques. Un pourcentage de poids trop faible au timon peut déstabiliser la remorque. Mettre les plus lourdes charges à l'avant de la remorque.
3. La poignée (5) est un dispositif d'ouverture/fermeture (On/Off). Le boulon (7) en dessous sert uniquement à l'ajustement.
4. Lors d'un remorquage en conditions glissantes telles que sur surface mouillée, glacée, enneigé graveleuse, tourner la poignée d'ouverture-fermeture (5) dans le sens inverse des aiguilles d'une montre jusqu'à libérer toute la tension de l'appareil. L'omission d'agir ainsi peut empêcher le véhicule de remorquage et la remorque de virer correctement.
5. Ne pas accélérer si un roulis survient. Le roulis augmente avec la vitesse. Ne pas continuer à conduire un véhicule qui subit du roulis. Vérifier la charge de la remorque, l'ajustement du contrôle antiroulis et toutes les autres pièces d'équipement jusqu'à ce que la cause du roulis soit déterminée et corrigée.
6. Ne jamais peindre ni lubrifier la barre coulissante (6).

Instructions d'installation

Numéros de pièce :

Attelage à répartition de charge avec contrôle antiroulis - Barres rondes

49901

49901IN

49902

49903

49904

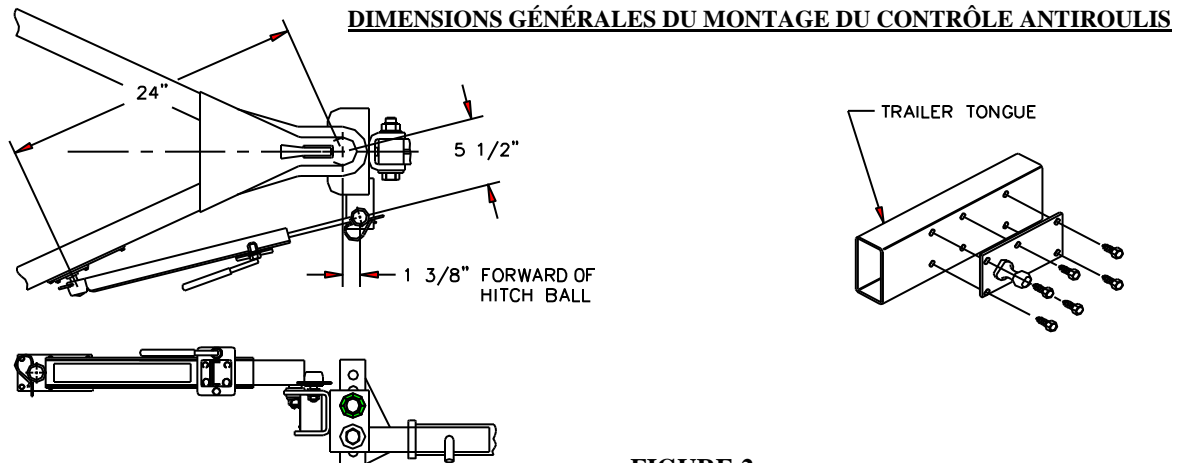


FIGURE 2.

INSTALLATION DU CONTRÔLE ANTIROULIS

1. Se reporter aux figures 1 et 2.

- a. Raccorder la remorque au véhicule de remorquage. Placer le véhicule et la remorque en ligne droite sur une surface de niveau.
- b. À l'aide d'un écrou (1b) et d'une rondelle frein (1c), monter la boule du contrôle antiroulis (1a) sur l'attelage comme illustré à la Figure 2 puis serrer au couple de 100 lb-pi. Si nécessaire faire une encoche et souder la barre de montage de boule (4) (vendu séparément) dans la position illustrée.
- c. Mesure et marquer un point sur la flèche de remorque à 24 po (61 cm) à partir du centre de la boule d'attelage comme illustré à la Figure 2.
- d. Aligner le centre de la boule de l'assemblage boule-plaque (3) sur la marque sur la flèche de remorque et marquer au pointeau l'emplacement de quatre trous. Percer quatre trous à l'aide d'un foret 11/32 (0,343) pour une flèche de remorque dont la matière est d'une épaisseur de 1/8 po (0,125) ou plus, ou un foret de 9/32 po (0,281) si la matière est moins épaisse.
- e. Placer l'assemblage boule-plaque (3) au-dessus des trous percés et visser quatre vis autotaraudeuses (2a) dans la plaque et la flèche de remorque. Percer les deux trous restants et poser les vis.

REMARQUE : Pour une installation à gauche, enlever la barre coulissante (6) et la réinstaller à l'envers.

2. ACCROCHAGE

- a. Lubrifier les deux boules à l'aide d'une petite quantité de graisse, placer le réceptacle de la barre coulissante (6) sur la boule (1) et verrouiller à l'aide de l'agrafe dorée (2b). Desserrer la poignée (5) jusqu'à pouvoir déplacer la barre coulissante. Déployer l'assemblage de contrôle antiroulis et placer le réceptacle sur la boule de remorque, verrouiller avec l'autre agrafe dorée (2b).
- b. Resserrer la poignée jusqu'à son arrêt.
- c. Sur certaines installations, le contrôle antiroulis peut s'endommager lors de virage extrêmement serrés. On peut vérifier ce risque en reculant lentement le véhicule en position de mise en portefeuille (jackknife) pendant qu'une personne observe la manoeuvre. Ne pas permettre à la barre coulissante de se contracter complètement (au bout de sa course) ou au pare-chocs de toucher au contrôle antiroulis. S'il y a donc contact au sol ou si le contrôle antiroulis arrive au bout de sa course, alors ce dernier doit être enlevé avant de reculer la remorque.

3. AJUSTEMENT

- a. Les configurations de remorque, les conditions de chargement, routières et météorologiques, la vitesse de remorquage, l'état et la pression des pneus ainsi que le centre de gravité de la remorque sont tous des facteurs qui influent sur le remorquage. Pour obtenir les bénéfices optimaux du contrôle antiroulis, une série d'essais routiers doivent être effectués avec remorque chargée. Lors de déplacements subséquents, augmenter ou diminuer la tension en tournant le boulon d'ajustement (7) par incréments de 1/4 de tour dans la direction indiquée sur l'étiquette jusqu'à obtenir le contrôle désiré. Pour les remorques de grande taille, il peut s'avérer nécessaire d'installer un deuxième contrôle antiroulis.
- b. Au bout d'environ 1600 kilomètres de remorquage, enlever la barre coulissante du contrôle antiroulis et nettoyer les surfaces de friction à l'aide d'une brosse métallique. Répéter ce nettoyage environ tous les 16 000 kilomètres.

4. DÉCROCHAGE

- a. Libérer la tension en tournant la poignée d'ouverture-fermeture (On/Off) dans le sens contraire des aiguilles.
- b. Enlever les deux agrafes (2b), enlever le contrôle antiroulis.

Instructions d'installation

Numéros de pièce :

**Attelage à répartition de charge avec contrôle antiroulis - Barres rondes 49901 49902
49901IN 49903 49904**

AVERTISSEMENTS : LA HAUTEUR DE LA BOULE CHARGÉE NE DOIT PAS ÊTRE SUPÉRIEURE À LA HAUTEUR DE LA BOULE AVEC REMORQUE DÉTACHÉE. Une surcharge sur les roues avant et une perte de traction aux roues arrière peut en résulter, menant à un contrôle instable, à un freinage moins efficace et une tendance à la mise en portefeuille lors d'un virage et d'un freinage simultanés. SI LA HAUTEUR DE LA BOULE CHARGÉE EST SUPÉRIEURE À SA HAUTEUR NON CHARGÉE, allonger les chaînes des barres de stabilisation puis mesurer de nouveau jusqu'à obtenir la hauteur voulue.

NE PAS REMORQUER PLUS D'UNE REMORQUE À LA FOIS : Ne pas tenter de remorquer une remorque, quelle qu'elle soit, derrière une autre. Le remorquage simultané de plusieurs remorques peut causer une instabilité importante, une perte de contrôle et/ou une défaillance structurale, et mener à un accident provoquant des blessures sévères et des dommages à la propriété. Le remorquage de plusieurs remorques est prohibé par la loi en plusieurs endroits.

VÉHICULES À TRACTION AVANT : NE PAS TENTER D'ACCOUPLER OU REMORQUER UNE REMORQUE SI LES ROUES ARRIÈRE DU VÉHICULE SONT ENLEVÉES. Des dommages sévères au véhicule, à l'attelage et à la remorque peuvent en résulter. Une combinaison véhicule-remorque ne peut être contrôlée adéquatement que si les roues arrière du véhicule supportent la charge qui leur revient.

ENTRETIEN : Garder les réceptacles de la tête libres de saleté et bien lubrifiés. Une usure excessive à cet endroit peut signaler une surcharge ou une lubrification insuffisante.

Garder les surfaces extérieures de la tête propres, en particulier les réceptacles des barres stabilisatrices. Ne pas laisser la saleté ni les cailloux se loger entre la barre stabilisatrice et la tête.

Maintenir la peinture de l'attelage en bon état afin de prévenir la rouille et conserver une apparence agréable. (Ne pas peindre les étiquettes)

EN DÉBUT DE JOURNÉE AVANT CHAQUE DÉPLACEMENT :

- Nettoyer la boule et le réceptacle du coupleur, et enduire légèrement la boule avec de la graisse.
- Vérifier les signes d'usure sur les chaînes des barres stabilisatrices et les boulons en U. Les remplacer avant que l'usure ne les traverse de moitié.
- Vérifier que tous les boulons sont adéquatement serrés et que la cheville d'attelage et son agrafe sont bien verrouillées en place.
- S'assurer que toutes les connexions électriques sont en état de fonctionner, et que les chaînes de sécurité sont accrochées.

CONSEILS DE REMORQUAGE

CONDUITE : Il faut insister davantage sur les bonnes pratiques de conduite lors du remorquage. Le poids supplémentaire affecte l'accélération et le freinage, et il faut plus de temps pour dépasser, s'arrêter et changer de voie. Signaler bien à l'avance une manœuvre pour faire connaître vos intentions aux autres conducteurs. Les bosses accentuées et les routes en mauvais état peuvent endommager le véhicule, l'attelage et la remorque, il vaut mieux y circuler à basse vitesse constante. **SI UNE PARTIE DU SYSTÈME DE REMORQUAGE HEURTE LA CHAUSSÉE OU SI L'ON SOUPÇONNE UN DOMMAGE D'UNE AUTRE FAÇON, IL FAUT SE TASSER ET PROCÉDER À UNE INSPECTION. CORRIGEZ TOUT PROBLÈME AVANT DE POURSUIVRE LE TRAJET.**

VÉRIFIER L'ÉQUIPEMENT : Inspecter régulièrement la condition de l'ensemble de l'équipement de remorquage et garder celui-ci en parfaite condition.

CHARGEMENT DE LA REMORQUE : Il est important de bien charger la remorque. Placer les objets lourds près du plancher et de l'essieu de la remorque. La charge doit être équilibrée d'un côté à l'autre et solidement arrimée pour prévenir les déplacements. Le poids au timon doit représenter 10 à 15 pour cent du poids brut de la plupart des remorques. Un pourcentage de poids trop faible au timon peut déstabiliser la remorque. Un poids excessif au timon peut aussi causer une instabilité et endommager l'attelage et/ou le véhicule.

DISPOSITIFS ANTI-ROULIS : Les dispositifs anti-roulis peuvent réduire les effets des manœuvres brusques, des coups de vent et des secousses causées par d'autres véhicules. Nous les recommandons pour les remorques qui présentent de grandes surfaces comme dans le cas des caravanes, par exemple.

GONFLAGE DES PNEUS : Sauf indication contraire par le fabricant du véhicule ou de la remorque, les pneus doivent être gonflés à la pression maximale recommandée.

RECOMMANDATIONS DES FABRICANTS DE LA REMORQUE ET DU VÉHICULE DE REMORQUAGE : Consulter les manuels du propriétaire du véhicule et de la remorque pour connaître les recommandations, les capacités de charge et les spécifications.

REMORQUES À TIMON RECTILIGNE : Si votre remorque est équipée d'un timon rectiligne (au lieu d'un timon triangulaire en A), il sera nécessaire d'utiliser un adaptateur pour timon rectiligne. Cet adaptateur se fixe sur le timon de la remorque et procure des points de fixation pour les supports encliquetables.

PASSAGER(S) DANS LA REMORQUE : AUCUN passager ne doit être toléré dans une remorque en déplacement.

FEUX DE REMORQUE, SIGNAUX DE DIRECTION ET FREINS ÉLECTRIQUES : Veiller à toujours brancher les feux de signalisation et de direction, les freins électriques et l'interrupteur de rupture d'attelage (le cas échéant), même dans le cas de courts trajets.

ENLEVER L'ATTELAGE S'IL NE SERT PAS : Retirer l'attelage du récepteur du véhicule lorsqu'il ne sert pas afin de prévenir la contamination des réceptacles de tête, réduire le risque de heurter l'attelage contre des rampes ou d'autres objets, et minimiser les dommages dans l'éventualité d'une collision par l'arrière.

Instructions d'installation

Numéros de pièce :

Attelage à répartition de charge avec contrôle antiroulis - Barres rondes
49901IN

49901
49902
49903
49904

REMARQUES :

GARANTIE LIMITÉE DE DIX ANS

Cequent Performance Products, Inc. garantit ses systèmes de répartition de charge Pro Series contre les vices de matières et de fabrication décelés dans le cadre d'un usage et d'un entretien normaux (à l'exception de l'usure normale), et ce pendant les 10 ans où le produit est en possession de l'acheteur initial à compter de la date d'achat.

Cequent Performance Products, Inc. remplacera SANS FRAIS toute pièce qui s'avère défectueuse suite à un vice de matière ou de fabrication lorsqu'elle sera présentée à tout concessionnaire Cequent Performance Products, à un entrepôt Cequent Performance Products, Inc. ou retournée à l'usine. PORT PAYÉ, à l'adresse ci-dessous. **CETTE GARANTIE SE LIMITE AU REMPLACEMENT DES PIÈCES DÉFECTUEUSES SEULEMENT. ELLE NE COUVRE NI LES FRAIS DE MAIN-D'ŒUVRE, NI LES DOMMAGES SUBIS LORS DE L'INSTALLATION OU DU REMPLACEMENT, Y COMPRIS LES DOMMAGES ACCESSOIRES OU INDIRECTS.**

Certaines provinces ne permettant pas d'exclure ou de restreindre les dommages accessoires ou indirects, il se peut que la restriction ou l'exclusion ci-dessus ne vous concerne pas.

Tout dommage au système de répartition de charge Pro Series attribuable à une mauvaise utilisation, un usage abusif, la négligence, un accident, une installation inadéquate, ou à toute utilisation contraire aux instructions fournies par nous, **ANNULERA LA GARANTIE.**

Certains droits particuliers vous sont dévolus en vertu de la présente garantie et peuvent s'accompagner d'autres droits qui varient selon votre lieu de résidence. Dans l'éventualité d'un problème avec le service de la garantie ou le rendement du produit, il se peut que vous puissiez recourir à la cour des petites créances ou une cour d'une autre juridiction.

Cequent Performance Products, Inc.
47912 Halyard Dr. Suite 100
Plymouth, MI. 48170

Instrucciones de instalación

Números de partes:

Distribución de peso de barra redonda con control de oscilación 49901 49902

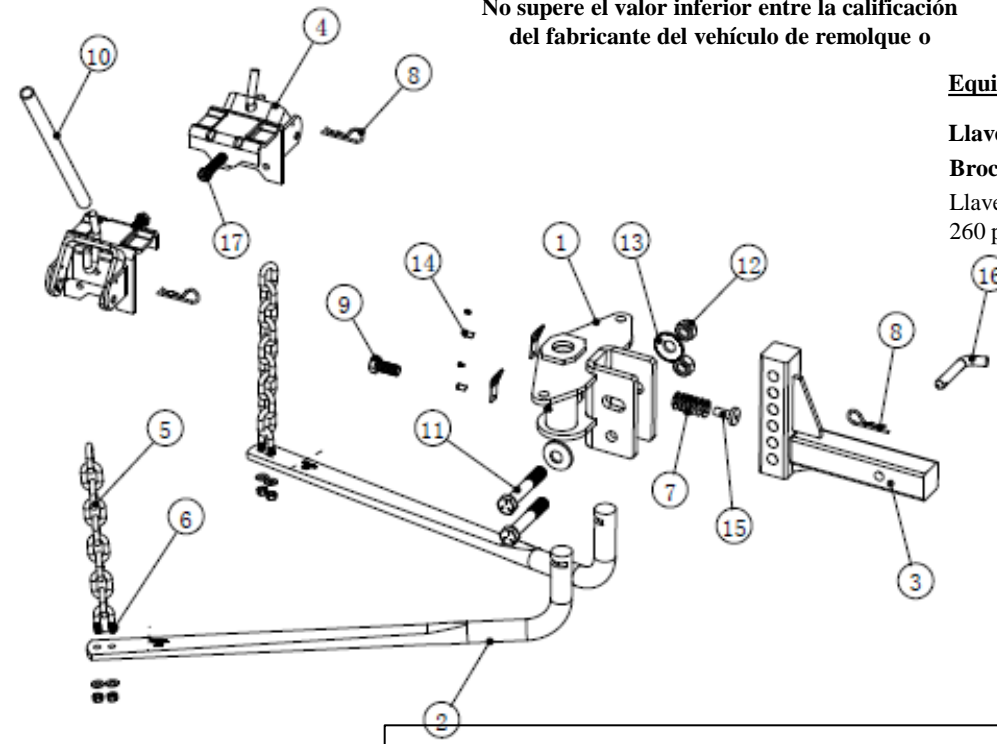
49901IN

49903 49904

CONCESIONARIOS: Entregue estas instrucciones al cliente.

Número de parte del enganche 49901	Peso máximo bruto del remolque (LB)	Peso máximo de la horquilla (LB)	Número de parte del enganche 49902	Peso máximo bruto del remolque (LB)	Peso máximo de la horquilla (LB)
Distribución de peso	10,000	550	Distribución de peso	10,000	750
Carga de peso Montaje de esfera	5,000	500	Carga de peso Montaje de esfera	5,000	500
Número de parte del enganche 49903	Peso máximo bruto del remolque (LB)	Peso máximo de la horquilla (LB)	Número de parte del enganche 49904	Peso máximo bruto del remolque (LB)	Peso máximo de la horquilla (LB)
Distribución de peso	10,000	1,000	Distribución de peso	10,000	1,200
Carga de peso Montaje de esfera	5,000	500	Carga de peso Montaje de esfera	5,000	500

No supere el valor inferior entre la calificación del fabricante del vehículo de remolque o



Equipo necesario:

Llaves: 9/16", 3/4", 1-1/8"

Brocas de taladro: 11/32"

Llave de torsión con capacidad de lectura de 260 pies-libras

Para asistencia con la instalación o ayuda técnica, llame al 1-888-521-0510

①	Cant. (1)	MONTAJE DE ESFERA	⑩	Cant. (1)	MANIJA ELEVADORA
②	Cant. (2)	BARRA DE RESORTE	⑪	Cant. (2)	PERNOS, 3/4"-10 X 4 1/2"
③	Cant. (1)	BARRA DE ENGANCHE	⑫	Cant. (2)	TUERCA, 3/4"-10
④	Cant. (2)	SOPORTE A PRESIÓN	⑬	Cant. (2)	ARANDELA CÓNICA, 3/4"
⑤	Cant. (2)	CADENA DE SEGURIDAD	⑭	Cant. (2)	ENSAMBLE DE BLOQUEO DE BARRA DE RESORTE
⑥	Cant. (2)	PERNO EN U, TUERCA Y ARANDELA, 3/8"	⑮	Cant. (1)	REMACHE
⑦	Cant. (7)	ARANDELA ESPACIADORA	⑯	Cant. (1)	PASADOR DE HALAR
⑧	Cant. (3)	CLIP DE RESORTE	⑰	Cant. (2)	TORNILLO DE FIJACIÓN DEL SOPORTE A PRESIÓN
⑨	Cant. (1)	TORNILLO DE FIJACIÓN			

Instrucciones de instalación

Números de partes:

Distribución de peso de barra redonda con control de oscilación 49901
49901IN

49902
49903
49904

ÍNDICE

1. DETERMINACIÓN DE LA DISTRIBUCIÓN DE PESO Y SISTEMAS DE ENGANCHE DEL REMOLQUE	P. 1
2. INSTALACIÓN INICIAL	P. 1-2
3. ENGANCHE INICIAL	P. 2-4
4. CONTROL DE OSCILACIÓN	P. 5
5. INSTALACIÓN DEL CONTROL DE OSCILACIÓN ENGANCHE DEL CONTROL DE OSCILACIÓN AJUSTE DEL CONTROL DE OSCILACIÓN DESENGANCHE DEL CONTROL DE OSCILACIÓN	P. 6
6. ADVERTENCIAS	P. 7
7. SUGERENCIAS PARA EL REMOLQUE	P. 7
8. NOTAS	P. 8
9. GARANTÍA LIMITADA DE DIEZ AÑOS	P. 8

ADVERTENCIA:

¡No seguir estas instrucciones puede resultar en la muerte o en lesiones serias!

DETERMINACIÓN DE LA DISTRIBUCIÓN DE PESO Y DE LOS SISTEMAS DE ENGANCHE DEL REMOLQUE

1. Consulte la información que se suministra al consumidor para pesar la horquilla del remolque cargado y determinar el tamaño correcto del sistema.
2. Elija un sistema con una calificación de horquilla al nivel o por encima del peso real de la horquilla del remolque.
3. La calificación de la horquilla del enganche del remolque debe cumplir o superar el peso de la horquilla del remolque. Los enganches OEM podrían no tener suficiente rigidez para el peso de la horquilla y podría ser necesario reemplazarlos (demasiado flexibles y no soportarán la carga).
4. La calificación de peso bruto total del remolque nunca debe superar la calificación bruta de remolque calificada del vehículo de remolque.

INSTALACIÓN INICIAL

1. Alinee el vehículo de remolque y el remolque sobre el pavimento en posición recta, sin acoplamiento.
2. Nivele el remolque, mida y registre la distancia desde el piso hasta la parte superior del acoplador. (Fig. 1).

ADVERTENCIA: Las esferas levantadas por lo general tienen calificaciones de carga reducidas. La calificación de la esfera DEBE ser igual o superior a la GVWR del remolque.

Nota: Los números en los círculos se pueden encontrar en la tabla de la página (1)

3. Algunas instalaciones pueden requerir una barra de enganche más larga ③. Los protectores de parachoques extendidos, las "tapas" de camionetas pickup o las llantas de repuesto montadas en la parte posterior pueden limitar los ángulos de giro, a menos que se use una barra más larga. Las barras de enganche individuales ③ están disponibles en varios tamaños.
4. Inserte la barra de enganche ③ dentro de la caja de enganche e instale un pasador de halar ⑥ y un clip de resorte dorado ⑨. La barra de enganche ③ se puede usar ya sea en la posición de arriba o abajo (ver Fig. 2).

NOTA: La altura de la esfera debe ser mayor que la altura del acoplador aproximadamente en 3/4 a 1" (medido en el paso 2) para compensar la caída del vehículo. Para vehículos con resortes de aire, amortiguadores de aire o un sistema de nivelación automática, revise el manual del propietario. A menos que se especifique lo contrario, nivele el remolque con el vehículo cargado como lo hará cuando remolque antes de fijar la altura de la esfera e instalar el remolque.

Instrucciones de instalación

Números de partes:

Distribución de peso de barra redonda con control de oscilación

49901IN

49901
49902
49903
49904

5. Deslice la barra del enganche dentro del receptor de la manga, inserte el pasador del enganche y el clip de resorte dorado. Con la esfera instalada al montaje de esfera, deslice el montaje de esfera hacia arriba o abajo de la barra de enganche (la barra de enganche se puede usar en la posición de arriba o abajo) hasta que se obtenga la dimensión más cercana y los orificios se alineen con la barra de enganche. Inserte el perno primero en el orificio inferior (apoye la cabeza del enganche).

6. El remache ⑤ y las 8 arandelas espaciadoras ⑦ se suministran para obtener un ángulo correcto hacia abajo de las barras de resorte. Inserte el remache ⑤, y dependiendo del ángulo o la pendiente de las barras que se debe lograr, use ya sea 8 o el menor número de arandelas ⑦ necesarias para establecer el ángulo correcto. (Ver Fig. 1, 2 y 3 abajo)

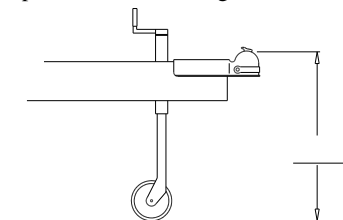


Fig. 1

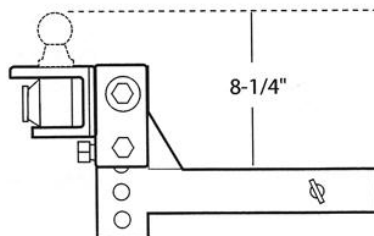
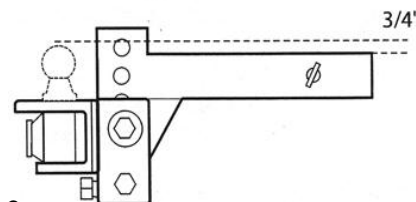


Fig. 2



7. El remache ⑤ y sus arandelas acompañantes ⑦ se colocan en el orificio de 1/2" entre la "U" en el montaje de esfera ① para lograr el ángulo deseado de la barra de resorte ②. Una vez que el ángulo de la barra de resorte ② se haya determinado, inserte el perno superior ⑩ con una arandela dentada ③. Instale la segunda arandela dentada ③ y tuerca ⑪ para asegurar la unidad en la posición correcta. Antes de apretar los pernos, bloquee el tornillo de fijación ⑨. Apriete a torsión el perno superior de 3/4" ⑩ a 260 pies-lbs. una vez que el ángulo de la cabeza esté fijo. Asegure el perno inferior ⑩ a una torsión de 260 pies lbs. Después del primer día de remolque, revise la firmeza del tornillo de fijación ⑨.

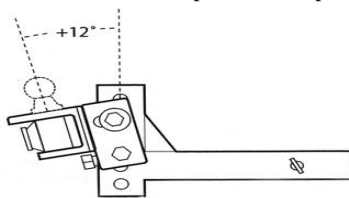
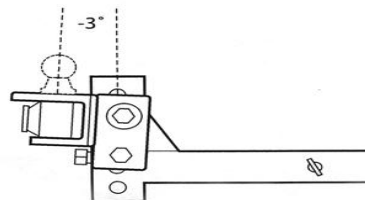


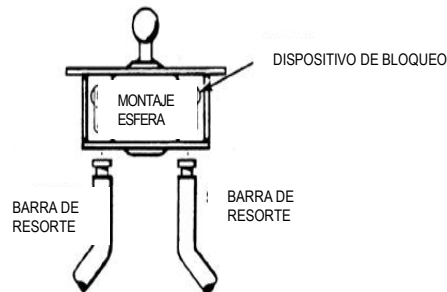
Fig. 3



CADA ARANDELA BAJA EL EXTREMO DE LA CADENA DE LA BARRA DE RESORTE APROXIMADAMENTE 1-1/2" ENGANCHE INICIAL

NOTA: El vehículo de remolque y el remolque se deben cargar y estar listos para el viaje antes de la nivelación final.

1. Seleccione un punto de referencia en el receptáculo de la rueda delantera. Mida y registre la distancia hasta el pavimento. Receptáculo de la rueda frontal hasta el pavimento _____
2. Usando el gato para remolques, baje el acoplador sobre la esfera y cierre el pasador del acoplador.
3. Las barras de resorte se pueden insertar dentro de cualquier lado del montaje de esfera (no hay una barra "derecha" o "izquierda"). Para bloquear, inserte y bloquee el resorte. Con la barra en el receptáculo, sostenga la barra debajo del receptáculo y empuje hacia arriba. La barra de resorte se bloqueará automáticamente dentro de la posición al lado del mecanismo de bloqueo de la barra de resorte. (Revise para cerciorarse de que la barra esté bloqueada al moverla hacia arriba y hacia abajo en el extremo de la cadena.)
4. Para retirar las barras de resorte, simplemente hale el dispositivo de bloqueo o gire la barra por debajo del parachoques y caerán libremente.



5. Coloque los soportes a presión sobre el bastidor "A" del remolque de manera que la cadena en el extremo de la barra de resorte esté vertical aproximadamente. Gire el tornillo de fijación hasta que haga contacto con el bastidor. Luego apriete 1/4 de giro con la llave. **NO APRIETE EN EXCESO.**

Instrucciones de instalación

Números de partes:

Distribución de peso de barra redonda con control de oscilación 49901

49901IN 49902

49903

49904

6. Levante la horquilla del remolque y la parte posterior del vehículo con el gato para remolques. Aproximadamente 8-12 pulgadas. Baje el yugo del soporte a presión hasta que esté paralelo con el piso, y deslice el eslabón más cercano por encima del gancho (si hay menos de 5 eslabones entre el gancho y el perno en U ajuste el ángulo del montaje de esfera hacia atrás, y repita el procedimiento - ver Fig. 1 a 4 abajo). Con la manija del soporte a presión sobre el yugo, levante hasta que el yugo haya pasado "sobre el centro". Deslice el pasador de seguridad plateado a través del orificio pequeño para bloquear el yugo en su lugar. Repita para el otro lado.

ANTES DE HACER EL ENGANCHE

Las barras de resorte deben colgar hacia abajo en un ángulo de 10° a 13° cuando el montaje de esfera se haya inclinado hacia atrás en un ángulo de 6° a 8°.

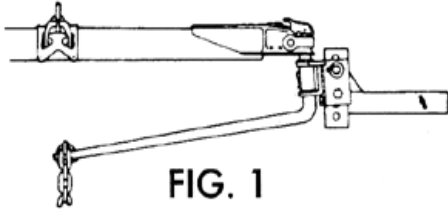


FIG. 1

DESPUÉS DEL ENGANCHE

La barra de resorte debe estar paralela con el bastidor del remolque, o a un ángulo ligero hacia arriba o hacia abajo.

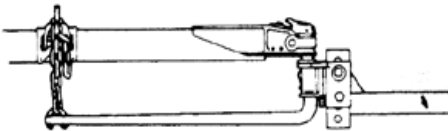


FIG. 2

INCORRECTO

Reajuste el grado de inclinación sobre el montaje de esfera si tiene más de 5 eslabones de cadena colgando. El número de eslabones debe ser el mismo en ambas barras.

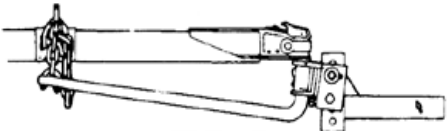


FIG. 3

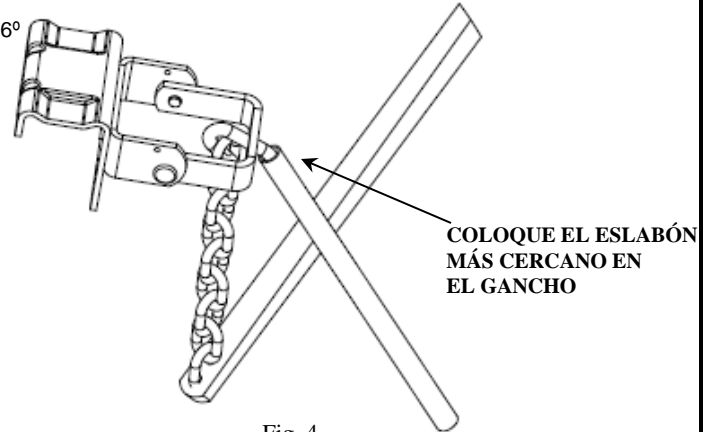


Fig. 4

7. Baje el gato. Vuelva a medir el punto de referencia del receptáculo de la rueda frontal. La altura del receptáculo de la rueda frontal debe ser igual o menor que la medida original. Si la altura del receptáculo de la rueda frontal es mayor que la medida original, reduzca el número de eslabones entre el gancho del yugo y la barra de resorte (5 eslabones mínimo) y vuelva a revisar la medida del receptáculo de la rueda. Si el receptáculo de la rueda frontal es menor que la medida original, aumente el número de eslabones entre el gancho del yugo y la barra de resorte y vuelva a revisar la medida del receptáculo de la rueda. Si la altura del receptáculo de la rueda original no se puede alcanzar, es preferible que la altura del receptáculo de la rueda esté más baja después de que se carguen las barras de resorte. Si no hay más eslabones de cadena para ajuste, el ensamble de la cabeza se debe inclinar hacia adelante. El remolque se debe desacoplar y el perno superior retirar del ensamble de la cabeza. Luego la cabeza se gira hacia arriba según sea necesario. Vuelva a ensamblar y a revisar la altura del receptáculo de la rueda.

LUBRICACIÓN

1. **MANTENIMIENTO:** Use un lubricante potente tal como grasa para rodaje de rueda tipo fibra en la esfera del enganche y en las barras de resorte. Se recomienda todos los días. Mantenga el enganche pintado para impedir el óxido y revise la firmeza de los pernos con frecuencia: Limpie la grasa anterior, no permita que se endurezca al interior del montaje de esfera.

FRENOS DE INERCIA

1. Algunos frenos de inercia no funcionarán con los enganches distribuidores de peso. **REVISE LAS INSTRUCCIONES DE OPERACIÓN DEL REMOLQUE Y/O FRENO DE INERCIA**

PARA CUALQUIER REQUISITO ESPECIAL RESPECTO A LOS ENGANCHES DE DISTRIBUCIÓN DE PESO.

No use el control de oscilación con frenos de inercia.

Instrucciones de instalación

Números de partes:

Distribución de peso de barra redonda con control de oscilación 49901
49901IN

49902
49903
49904

CONTROL DE OSCILACIÓN

Lea atentamente todas las instrucciones antes de armar, instalar y/o usar este producto.

ADVERTENCIA:

Las características de un vehículo de remolque se pueden alterar al remolcar un remolque
 Al arrastrar un remolque, puede encontrar más oscilación en vehículos de base corta. Tenga extrema PRECAUCIÓN.
 Cualquier soldadura la debe realizar un taller de soldadura calificado.

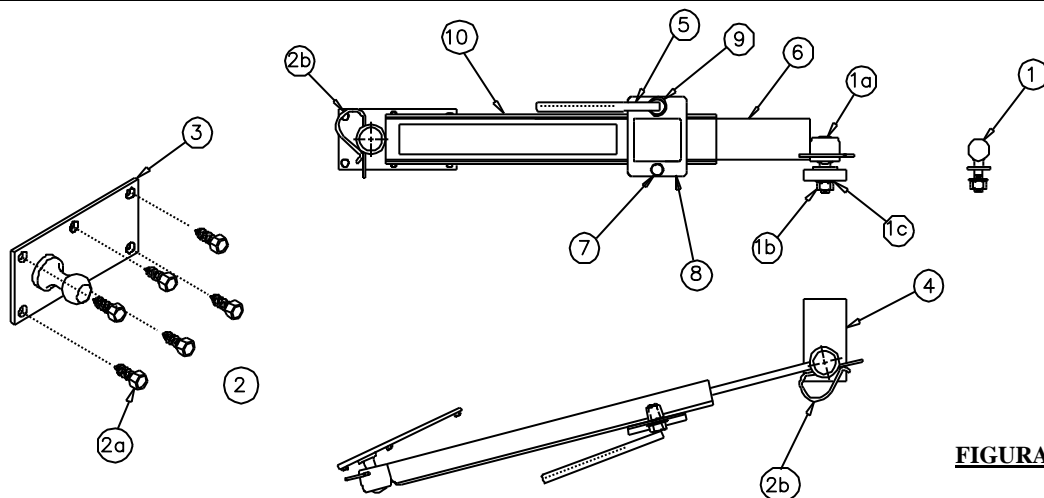


FIGURA 1

REF.	Cant.	DESCRIPCIÓN	REF.	Cant.	DESCRIPCIÓN
1	1	Ensamble de la esfera	4	1	Montaje de la barra - esfera (se vende por separado)
1a	1	Esfera	5	1	Manija, activar/desactivar
1b	1	Tuerca hexagonal, 5/8"-11	6	1	Barra de deslizamiento
1c	1	Arandela de bloqueo	7	1	Perno, ajuste de tensión
2	1	Kit de tornillos	8	1	Ensamble de placa de compresión
2a	6	Tornillo, autorroscante, 24-9 X 1"	9	1	Arandela, endurecida
2b	2	Clip	10	1	Ensamble porción principal
3	1	Ensamble esfera/placa			

IMPORTANTE

- EL CONTROL DE OSCILACIÓN NO SE PUEDE USAR EN REMOLQUES CON FRENOS DE INERCIA. NO USE EL CONTROL DE OSCILACIÓN EN ENGANCHES CLASE 1.**
- Carga del remolque: La carga correcta del remolque es su primera línea de defensa contra la inestabilidad y oscilación peligrosas. Los artículos pesados deben colocarse en el suelo en frente del eje. La carga se debe balancear de lado a lado y asegurarse para evitar los movimientos. El peso de la horquilla debe ser 10-15 por ciento del peso bruto del remolque para la mayoría de los remolques. Un porcentaje demasiado bajo de peso de la horquilla puede causar oscilación. Cargue el remolque más pesado por el frente.
- La manija (5) es un dispositivo de activar/desactivar. El perno (7) abajo es para el ajuste solamente.
- Cuando remolque en condiciones resbaladizas como carreteras mojadas, con hielo, o cubiertas de nieve o sobre gravilla suelta, active/desactive la manija (5) en sentido contrario al reloj hasta que toda la tensión se elimine de la unidad. De lo contrario, podría impedir que el vehículo de remolque y el remolque giren correctamente.
- No acelere si se produce oscilación. La oscilación aumenta con la velocidad. No continúe operando un vehículo con oscilación. Revise la carga del remolque, el ajuste del control de oscilación y todos los otros equipos hasta que la causa de la oscilación esté determinada y corregida.
- Nunca pinte ni lubrique la barra de deslizamiento (6).

Instrucciones de instalación

Números de partes:

Distribución de peso de barra redonda con control de oscilación

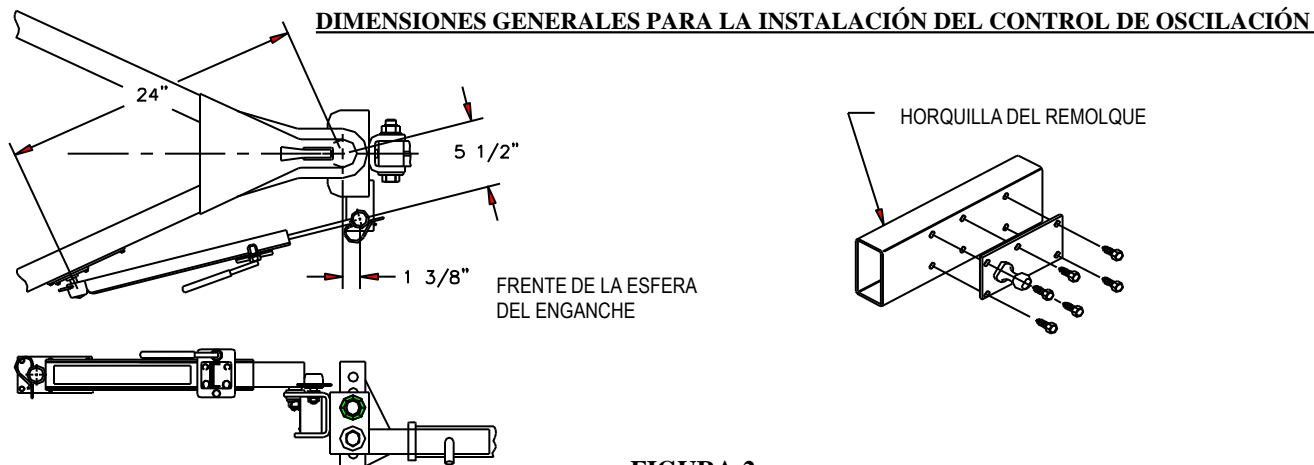
49901

49901IN

49902

49903

49904



INSTALACIÓN DEL CONTROL DE OSCILACIÓN

1. Consulte las Figuras 1 y 2

- a. Conecte el remolque al vehículo de remolque. b. Coloque el vehículo y el remolque en línea recta sobre una superficie nivelada.
- b. Instale la esfera de control del oscilación (1a) con la tuerca (1b) y la arandela de seguridad (1c) en el enganche como se muestra en la Figura 2 y apriete a torsión a 100 lb.-pies. Si es necesario, haga una muesca y suelde la barra de montaje de la esfera (4) (se vende por separado) en la posición que se indica.
- c. Mida y marque un punto sobre la horquilla del remolque 24" desde el centro de la esfera del enganche como se muestra en la Figura 2.
- d. Alinee el centro de la esfera del ensamble de la bola/placa (3) con la marca en la horquilla del remolque y perforo cuatro ubicaciones de orificios. Perfore cuatro orificios con una broca de 11/32 (.343) para 1/8" (.125) de material de la horquilla del remolque o más grueso, o una broca de 9/32" (.281) para un material más delgado.
- e. Coloque el ensamble de esfera/placa (3) sobre los orificios perforados e inserte cuatro de los tornillos autorroscantes (2a) a través de la placa y en la horquilla del remolque. Perfore los dos orificios restantes e instale los tornillos.

NOTA: Para la instalación de la izquierda, quite la barra deslizante (6) y vuelva a instalar de forma invertida.

2. ENGANCHE

- a. Lubrique las dos esferas con una pequeña cantidad de grasa, coloque el receptáculo de la barra de deslizamiento (6) sobre la esfera (1) y asegure con el clip dorado (2b). Afloje la manija (5) hasta que la barra de deslizamiento se pueda mover. Extienda el ensamble de control de oscilación y coloque el receptáculo sobre la esfera en el remolque, asegure con el clip dorado (2b).
- b. Vuelva a apretar la manija hasta que se detenga.
- c. En algunas instalaciones, pueden ocurrir daños al control de oscilación durante maniobras de giro extremadamente cerradas. Esto se puede rectificar al revertir lentamente el vehículo a una posición de pliegue mientras alguien vigila. No permita que la barra de deslizamiento se contraiga totalmente (hasta el fondo) o que el parachoques haga contacto con el control de oscilación. Si parece que va a haber contacto o que el control de oscilación tocará fondo, entonces se deberá retirar el control de oscilación antes de retroceder el remolque.

3. AJUSTE

- a. Las configuraciones del remolque y las condiciones de carga, carretera y del clima, la velocidad de remolque, el estado y presión de los neumáticos, así como el centro de gravedad del remolque afectarán el remolque. Para obtener el máximo beneficio del ensamble de control de oscilación, se debe realizar una serie de pruebas en la carretera con el remolque cargado. En viajes posteriores aumente o disminuya la tensión al girar el tornillo de ajuste (7) en incrementos de 1/4 en la dirección indicada en la etiqueta hasta que se obtenga el control deseado. Para los remolques grandes, puede ser necesario instalar una segunda unidad de control de oscilación.
- b. Después de unas 1000 millas de remolque, quite la barra de deslizamiento del control de oscilación y limpie las superficies de fricción con un cepillo de alambre. Repita este procedimiento de limpieza aproximadamente cada 10,000 millas.

4. DESENGANCHE

- a. Libere la tensión al girar la manija de activar/desactivar en la dirección opuesta al reloj.
- b. Retire los dos clips (2b), retire el control de oscilación.

Instrucciones de instalación

Distribución de peso de barra redonda con control de oscilación

49901IN

Números de partes:
49901 49902
49903 49904

ADVERTENCIAS: LA ALTURA DE LA ESFERA CARGADA NO DEBE SER SUPERIOR A LA ALTURA DE LA ESFERA DESACOPLADA. Puede resultar una sobrecarga de la rueda frontal y pérdida de la tracción de la rueda trasera, y resultar en una manipulación inestable, menor capacidad para frenar y una tendencia a "colear" al girar y frenar al mismo tiempo. SI LA ALTURA DE LA ESFERA CARGADA ES MAYOR QUE LA ALTURA NO ACOPLADA reduzca la distancia en las cadenas de la barra de resorte y vuelva a medir hasta que se alcance la altura correcta.

NO HALE REMOLQUES MÚLTIPLES: No intente remolcar ningún tipo de remolque detrás de otro. Llevar varios remolques puede causar grave inestabilidad, pérdida del control y/o falla estructural y puede resultar en accidente del vehículo, daños a la propiedad y lesiones personales. Llevar múltiples remolques es ilegal en muchas jurisdicciones.

VEHÍCULOS CON TRACCIÓN DELANTERA: NO INTENTE ENGANCHAR O REMOLCAR SIN LAS RUEDAS TRASERAS DEL VEHÍCULO DE REMOLQUE. Pueden resultar graves daños estructurales al vehículo de remolque, enganche y remolque. Una combinación de vehículo de remolque/remolque no se puede controlar correctamente a menos que las ruedas posteriores del vehículo de remolque estén soportando su parte de la carga.

MANTENIMIENTO: Mantenga los receptáculos en el ensamble de la cabeza libres de suciedad y bien lubricados. El desgaste excesivo en esta área puede indicar sobrecarga o lubricación inadecuada.

Mantenga el exterior del ensamble de cabeza limpio, particularmente los receptáculos de la barra de resorte. No permita que la suciedad o piedras se alojen entre la barra de resorte y la cabeza.

Mantenga pintado el enganche para evitar el óxido y mantener un buen aspecto. (No pinte sobre las etiquetas)

AL INICIO DE CADA DÍA DE REMOLQUE:

- Limpie la esfera y el receptáculo del acoplador y cubra la esfera ligeramente con grasa.
- Revise las cadenas de la barra de resorte y los pernos en U en cuanto al desgaste. Reemplace antes de que se gasten hasta la mitad.
- Revise para ver que todos los pernos estén correctamente apretados y el pasador del enganche y clip estén seguros en su lugar.
- Revise para ver que las conexiones eléctricas estén funcionando y que las cadenas de seguridad estén conectadas.

SUGERENCIAS PARA EL REMOLQUE

CONDUCCIÓN: Los buenos hábitos para manejar normalmente requieren un énfasis adicional al remolcar. El peso adicional afecta la aceleración y frenado, y se debe permitir tiempo adicional para pasar, frenar y cambiar de carriles. Indique con anticipación una maniobra para informar a otros conductores de sus intenciones. Los impactos severos y las carreteras con muchas ondulaciones pueden dañar su vehículo de remolque, enganche y remolque, y se debe conducir a una velocidad baja constante. SI CUALQUIERA DE LAS PARTES DE SU SISTEMA DE REMOLQUE SE CAE O SI USTED SOSPECHA QUE HAN OCURRIDO DAÑOS DE CUALQUIER CLASE, SÁLGASE DE LA CARRETERA Y HAGA UNA REVISIÓN A FONDO. CORRIJA CUALQUIER PROBLEMA ANTES DE SEGUIR DESPLAZÁNDOSE.

REVISE SU EQUIPO: Revise con frecuencia el estado de todo su equipo de remolque y manténgalo en condiciones óptimas.

CARGA DEL REMOLQUE: La carga correcta del remolque es importante. Los artículos pesados se deben colocar cerca al piso y al eje del remolque. La carga se debe balancear de lado a lado y asegurarse firmemente para evitar los movimientos. El peso de la horquilla debe ser 10-15 por ciento del peso bruto del remolque para la mayoría de los remolques. Un porcentaje muy bajo de peso de la horquilla producirá una tendencia a oscilar. El peso excesivo en la horquilla también puede resultar en una oscilación y daño al enganche y/o al vehículo de remolque.

CONTROLES DE OSCILACIÓN: Un control de oscilación puede ayudar a minimizar los efectos de maniobras repentinas, ráfagas de viento y sacudidas causadas por otros vehículos. Se recomienda un control de oscilación para remolques con áreas grandes de superficie, como remolques de viaje.

INFLADO DE LLANTAS: A menos que se especifique lo contrario por parte del fabricante del vehículo de remolque, las llantas se deben inflar a la presión máxima recomendada.

RECOMENDACIONES DEL FABRICANTE DEL REMOLQUE Y VEHÍCULO DE REMOLQUE: Revise los manuales del propietario para su remolque y vehículo de remolque para las recomendaciones específicas, capacidades y requisitos.

REMOLQUES DE HORQUILLA TIPO MÁSTIL Si su remolque tiene una horquilla recta (en vez de una horquilla en forma de A), será necesario usar un adaptador de horquilla tipo mástil. Este adaptador se instala en la horquilla del remolque, lo que le permite un lugar para instalar los soportes a presión.

PASAJEROS EN LOS REMOLQUES: Los remolques NO se deben ocupar mientras se remolcan, bajo ninguna circunstancia.

LUCES, DIRECCIONALES Y FRENOS ELÉCTRICOS DEL REMOLQUE: Siempre instale las luces del remolque, las direccionales, los frenos eléctricos y la conexión del interruptor de liberación (si viene equipado) incluso para viajes cortos.

RETIRE EL ENGANCHE CUANDO NO ESTÉ REMOLCANDO: Retire el enganche del receptor del vehículo de remolque cuando no esté remolcando, para evitar la contaminación de los receptáculos de la cabeza, reducir la probabilidad de golpear el enganche en las rampas de los estacionamientos u otros objetos, y reducir daños en el caso de una colisión por detrás.

Instrucciones de instalación

Números de partes:

Distribución de peso de barra redonda con control de oscilación
49901IN

49901
49902
49903
49904

NOTAS:

GARANTÍA LIMITADA DE DIEZ AÑOS

Cequent Performance Products, Inc. garantiza sus sistemas de distribución de peso de la Serie Pro desde el día de la compra contra defectos de materiales y mano de obra bajo condiciones normales de uso y servicio, excepto por el desgaste normal, por 10 años de propiedad al comprador consumidor original.

Cequent Performance Products, Inc. reemplazará SIN CARGO cualquier parte que resulte defectuosa en los materiales o mano de obra cuando se presente a cualquier distribuidor de **Cequent Performance Products, Inc.** bodega de **Cequent Performance Products, Inc.** o se devuelva a la fábrica. CARGOS POR TRANSPORTE PREPAGADOS, a la dirección a continuación. ESTA GARANTÍA ESTÁ LIMITADA A LA REPOSICIÓN DE PARTES DEFECTUOSAS ÚNICAMENTE. SE EXCLUYEN LOS CARGOS DE MANO DE OBRA Y/O DAÑOS INCURRIDOS EN LA INSTALACIÓN O REEMPLAZO ASÍ COMO LOS DAÑOS CONSECUENCIALES O INCIDENTALES RELACIONADOS.

Algunos estados no permiten la exclusión o limitación de los daños incidentales o consecuenciales, por lo que la exclusión o limitación anterior podría no corresponderle.

Cualquier daño al sistema de distribución de peso de la Serie Pro como resultado del mal uso, abuso, negligencia, accidente, instalación incorrecta, o cualquier uso en contra de las instrucciones entregadas por nosotros INVALIDARÁ LA GARANTÍA.

Esta garantía le otorga derechos legales. Usted también podría tener otros derechos que varían de estado a estado. En el evento de un problema con el servicio de garantía o desempeño, usted puede acudir a una corte de demandas menores, una corte estatal, o una corte federal del distrito.

Cequent Performance Products, Inc.
47912 Halyard Dr. Suite 100
Plymouth, MI. 48170

© 2010 Cequent Performance Products	Hoja 24 de 24	49901IN	03/21/13	Rev. C
-------------------------------------	---------------	---------	----------	--------