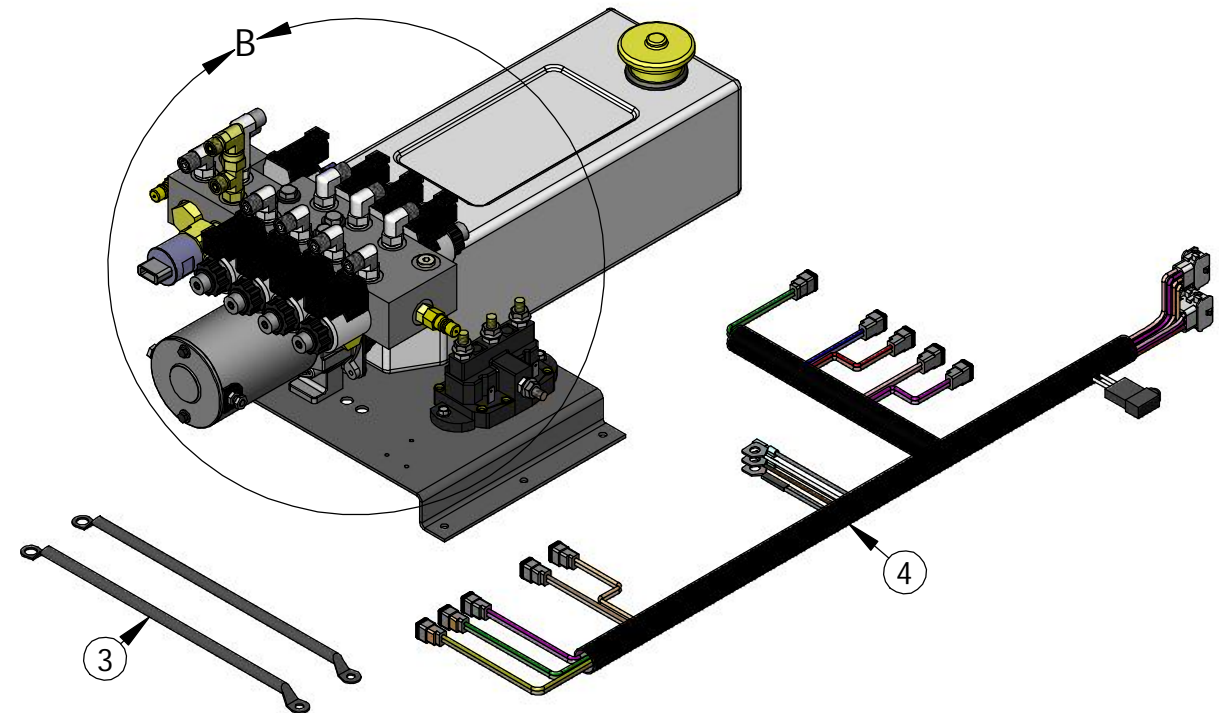
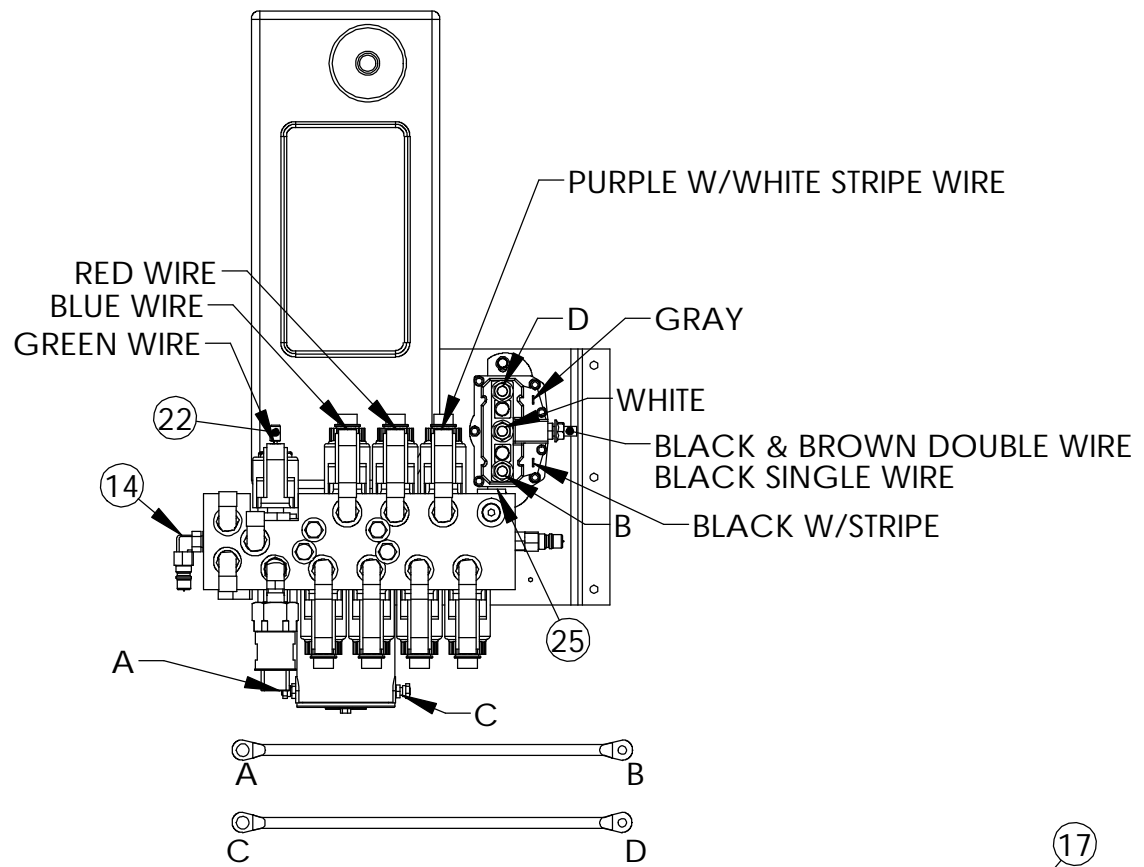
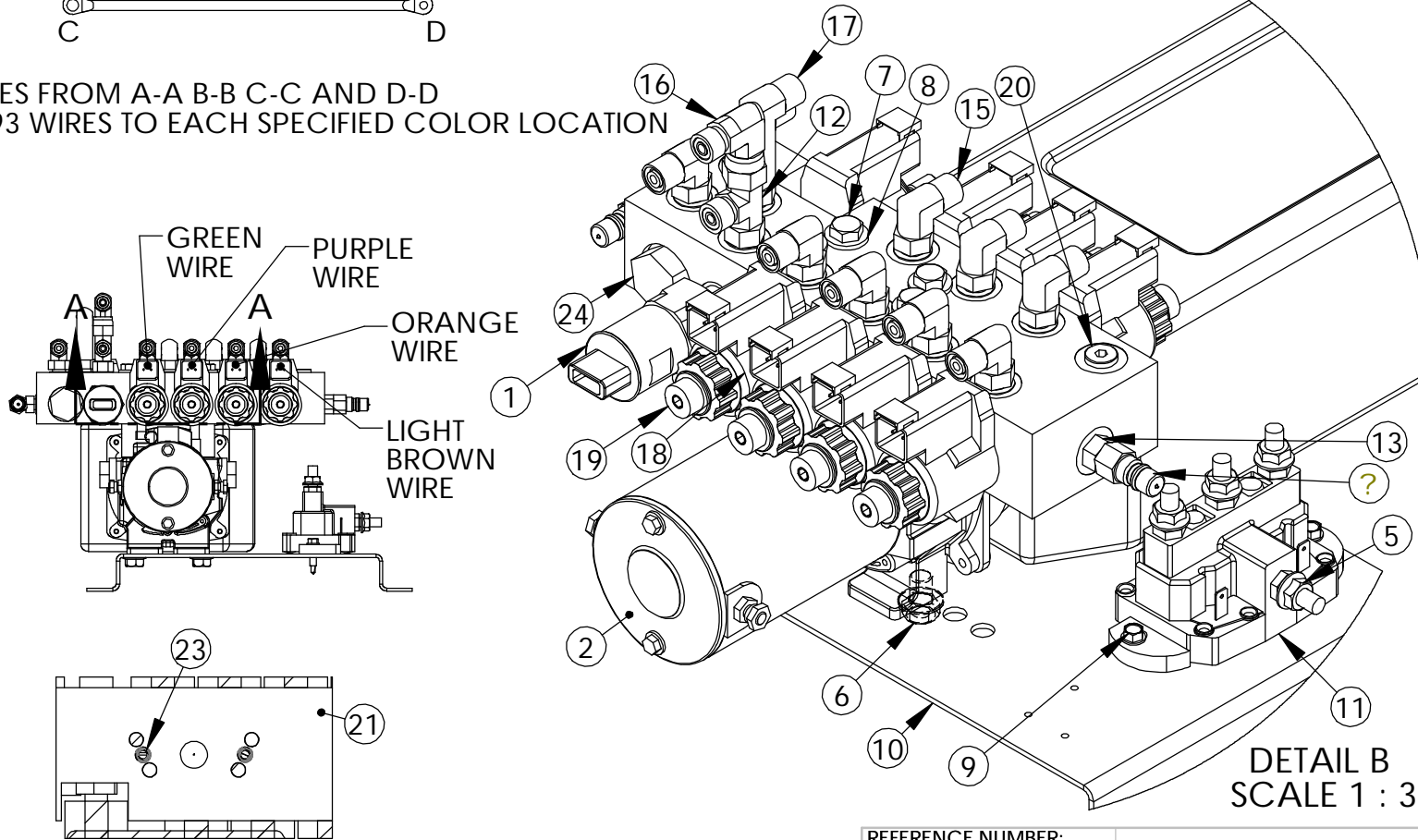


REV.	DATE	DESCRIPTION	CA	DWR	APVD
E	10/13/2011	REMOVED 178207			AB
F	3/8/2013	REPLACED 140457 W/ 320521		RAW	BS
G	4/30/2013	REPLACED 320521 W/ 140457		RAW	BS
H	9/8/2016	REPLACED 178237 W/ 118132	CA-0040703	RAW	RF



ATTACH CABLES FROM A-A B-B C-C AND D-D  
ATTACH 140593 WIRES TO EACH SPECIFIED COLOR LOCATION



ITEM	PART NO.	CONFIG	DESCRIPTION	NAME	GA	QTY
1	142927	Default	2150 PRESSURE SWITCH W/CONNECTOR	ELEC		1
2	140500	Default	644300- HYDRAULIC POWER UNIT	ELEC MOTOR		1
3	140539	Default	BATTERY CABLE; BLACK, 6AWG MIN. - 12.5"	ELECTRICAL		2
4	140593	Default	PUMP HARNESS LEVELING AND SLIDE OUT	ELECTRICAL		1
5	135787	Default	NUT - 5/16 - 24 SFLNGN ZN ST	FASTENER		4
6	142570	Default	BOLT - 3/8 - 16 X 1/2; HEX FLANGE BOLT SERR ZINC	FASTENER		2
7	178205	Default	BOLT - 5/16-24 X 2 1/2 HEX CAP SCREW GR5 ZN	FASTENER		4
8	118132	Default	WASHER - 1/4; USS FLAT WASHER ZINC	FASTENER		4
9	178211	Default	#12-14 X 1 HEX WASHER HEAD SELF DRILL #3PT	FASTENERS		2
10	104972	Default	9.000 X 1.250 X 1.105 X .105 X L8.000	HAT	12	1
11	118246	Default	TROMBETTA SOLENOID FOR LEVELING (SILVER POSTS)	HYD FIT		1
12	141087	Default	FACE SEAL TEE FS6804-04-04-04; RUN TEE	HYD FIT		1
13	141321	Default	6401-04-02; O-RING TO PIPE -STRAIGHT REDUCER	HYD FIT		1
14	141331	Default	6806-04-02; O-RING TO PIPE ELBOW 90 DEG - REDUCER	HYD FIT		1
15	141610	Default	ORFS6801-04-04; 90 DEG ELBOW O-RING FACE SEAL	HYD FIT		9
16	156846	Default	FS6500-04-04 DEG SWIVEL ELBOW FACE SEAL- 90 DEG	HYD FIT		1
17	173738	Default	ORF6801-L-04-04; O-RING FACE SEAL ELBOW	HYD FIT		1
18	174184	Default	12 VOLT DEUTSCH STYLE COIL (HYDAC)	HYD FIT		8
19	177094	Default	CARTRIDGE VALVE, W/SET SCREW TURN AND LOCK MANUAL OVERRIDE	HYD FIT		7
20	140998	Default	O-RING HOLLOW HEX PLUG - 6408-HHP-04	HYD FITTING		1
21	140533	Default	8 VALVE LEVELING MANIFOLD W/ INTERGRATED FLOW DIVIDER			1
22	140571	Default	ISOLATOR VALVE	HYDFIT		1
23	140586	Default	O-RING 009N 80 7/32 ID X 11/32 OD	HYDFIT		2
24	141322	Default	6408-10; O-RING ADAPTER; HOLLOW HEX PLUG	HYDRAULIC FITTING		1
25	141323	Default	6408-HHP-08; O-RING ADAPTER; HEX PLUG	HYDRAULIC FITTING		1
26	140457	Default	DISCONNECT, QUICK, 1/8 FNPT	HYD FIT		2

PUMP-GT; L+3; 340; 350B

UNLESS OTHERWISE SPECIFIED  
 1. ALL DIMENSIONS ARE IN INCHES  
 2. BREAK SHARP EDGES & DEBURR  
 3. MATERIAL & FINISH TO BE AS NOTED OR SUBSTITUTED WITH AN APPROVED AND TESTED EQUIVALENT

FILLET R.015 FINISH  THIRD ANGLE PROJECTION

TOLERANCES (EXCEPT AS NOTED)  
 DECIMAL .X ±.1  
 .XX ±.03  
 .XXX ±.015  
 FRACTIONAL ±1/16  
 ANGULAR ±1°

THE INFORMATION CONTAINED IN THIS DRAWING IS THE SOLE PROPERTY OF LIPPERT COMPONENTS, INC. ANY REPRODUCTION IN PART OR AS A WHOLE WITHOUT THE WRITTEN PERMISSION OF LIPPERT COMPONENTS, INC. IS PROHIBITED.

DWG. NO. 149088  
 DATE: 9/8/2016  
 REV. H  
 SCALE: 1:6  
 DRAWN BY RAW CHECKED BY RAW APPROVED BY SHEET 1 OF 1

LIPPERT COMPONENTS®

REFERENCE NUMBER:	
MATERIAL TYPE:	
SURFACE QUALITY:	
DECIMAL:	
FINISH GOOD WEIGHT:	
BLANK WEIGHT:	
BLANK SIZE:	X

SECTION A-A  
SCALE 1 : 4

DETAIL B  
SCALE 1 : 3