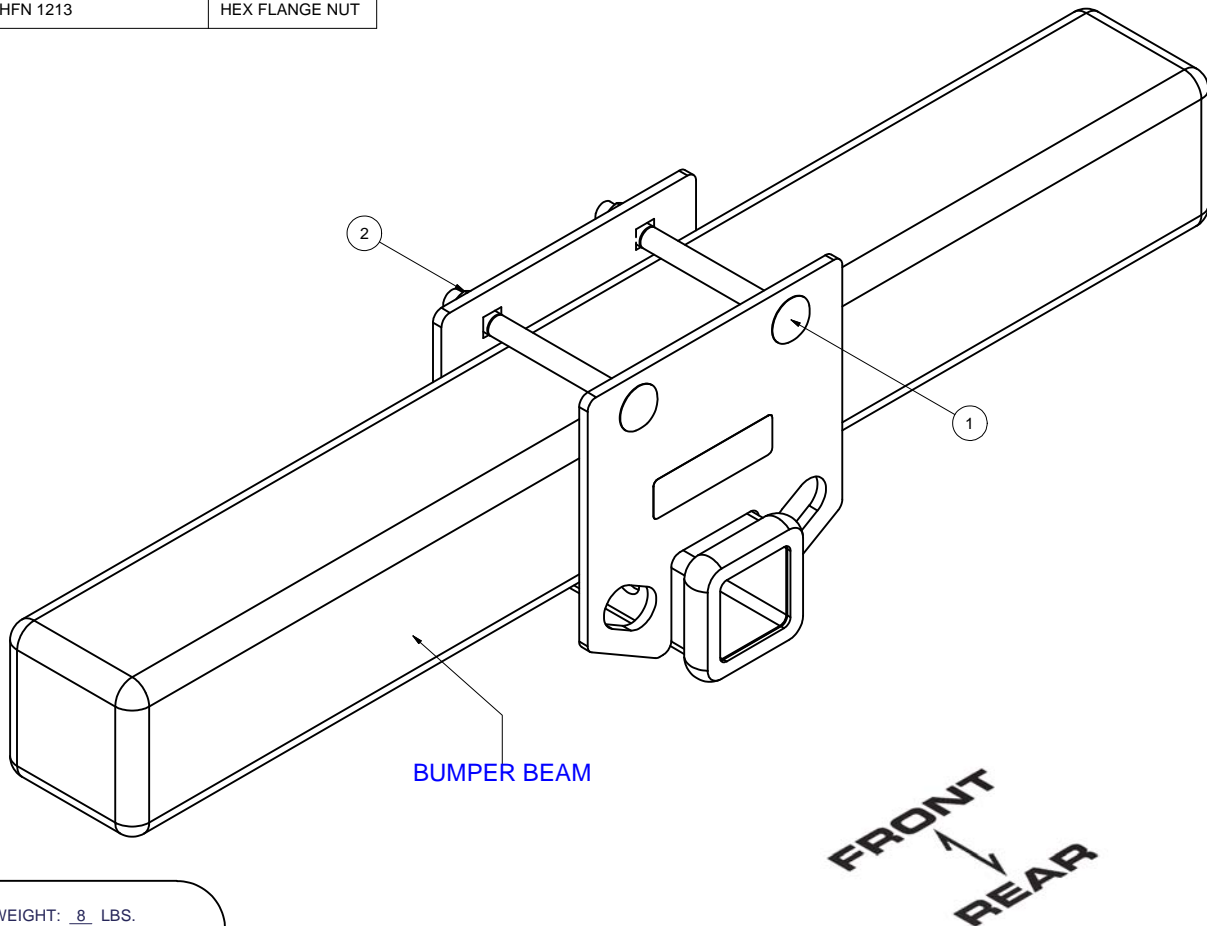


19100**RV BUMPER HITCH (4" X 4" only)**

1/31/2014

GROSS LOAD CAPACITY WHEN USED AS A WEIGHT CARRYING HITCH: 3,500 LBS. TRAILER WEIGHT & 350 LBS. TONGUE WEIGHT.*****DO NOT EXCEED VEHICLE MANUFACTURER'S RECOMMENDED TOWING CAPACITY.*******WARNING: ALL NON-TRAILER LOADS APPLIED TO THIS PRODUCT MUST BE SUPPORTED BY 18050 STABILIZING STRAPS
HAVING INSTALLATION QUESTIONS? CALL TECHNICAL SUPPORT AT 1-800-798-0813**

Parts List			
ITEM	QTY	PART NUMBER	DESCRIPTION
1	2	1/2 - 13 x 5 1/2 CARRIAGE	CARRIAGE BOLT
2	2	HFN 1213	HEX FLANGE NUT

HITCH WEIGHT: 8 LBS.INSTALL TIME: 10 MINUTES

INSTALL NOTES:

INSTALLATION STEPS

- 1) LOCATE AND MARK CENTER OF VEHICLE BUMPER BEAM.
- 2) POSITION HITCH OVER BUMPER BEAM ON CENTER MARK.
SECURE WITH 1/2-13" CARRIAGE BOLTS AND FLANGE NUTS.
- 3) TORQUE ALL 1/2" FASTENERS TO 110 LB-FT.

PERIODICALLY CHECK THIS RECEIVER HITCH TO ENSURE THAT ALL FASTENERS
ARE TIGHT AND THAT ALL STRUCTURAL COMPONENTS ARE SOUND.

Curt Manufacturing Inc., warrants this product to be free of defects in material and/or workmanship at the time of retail purchase by the original purchaser. If the product is found to be defective, Curt Manufacturing Inc., may repair or replace the product, at their option, when the product is returned, prepaid, with proof of purchase. Alteration to, misuse of, or improper installation of this product voids the warranty. Curt Manufacturing Inc.'s liability is limited to repair or replacement of products found to be defective, and specifically excludes liability for incidental or consequential loss or damage.