

## DOORS

### Purpose

This document provides the steps to replace 6-leaf door hinges on an RV entry door.

### ⚠ CAUTION

Moving parts can pinch, crush or cut. Keep clear and use caution.

### Resources Required

- Cordless or electric drill or screw gun
- Appropriate drive bits
- Grinder with small disk
- 18 #10 - 16 x 1/2" square pan head SMS zinc (self-drilling) screws

### Installation

1. Remove screen door.

**NOTE:** Remove and replace hinges one at a time.

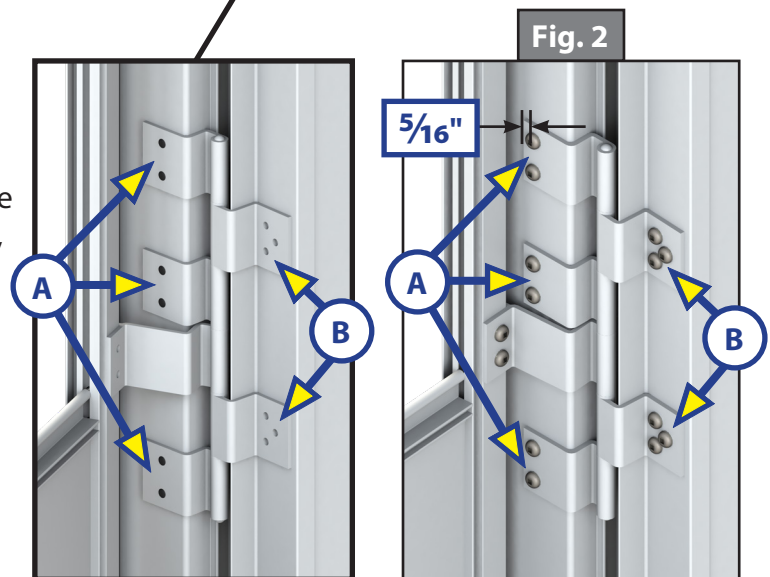
2. Grind off heads of the 6 self-piercing rivets (Fig. 1A).

**NOTE:** Since the hinges are being replaced, there is no need to be careful with the hinges when grinding off the rivet heads.

3. Pull back hinge leaves and grind down the rivet stubs, taking care not to damage the doorframe.
4. Remove the 6 screws from the two hinge leaves on the door side of the hinge (Fig. 1B).
5. Pull off old hinge.
6. Pre-drill 3/16" holes in the new hinge 5/16" from the left edge of the 3 frame-side hinge leaves (Fig. 2), including 2 holes in each leaf.

**NOTE:** The new holes MUST be offset from the old rivet locations. The location of the new holes depends on the rivet locations, but may be about 5/16" from the edge of the leaves.

7. Place new hinge into position and reinstall the 6 screws on the door side, lining them up with the existing holes (Fig. 2B).
8. Install 6 self-drilling screws in the pre-drilled holes (Fig. 2A).
9. Repeat Steps 2 to 8 for the other 2 hinges on the door.
10. Reinstall screen door.



As a supplier of components to the RV industry, safety, education and customer satisfaction are our primary concerns. Should you have any questions, please do not hesitate to contact us at (574) 537-8900 or by email at [customerservice@lci1.com](mailto:customerservice@lci1.com). Self-help tips, technical documents, product videos and a training class schedule are available at [www.lci1.com](http://www.lci1.com) or by downloading the MyLCI app.