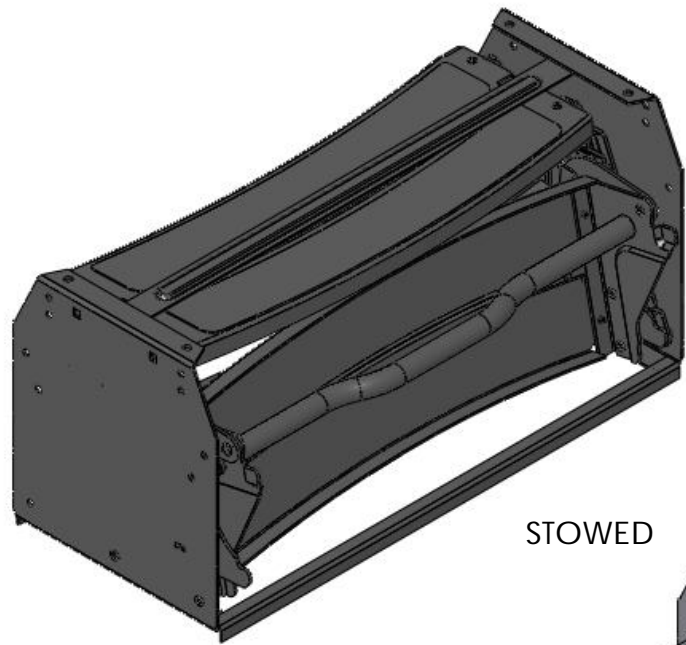
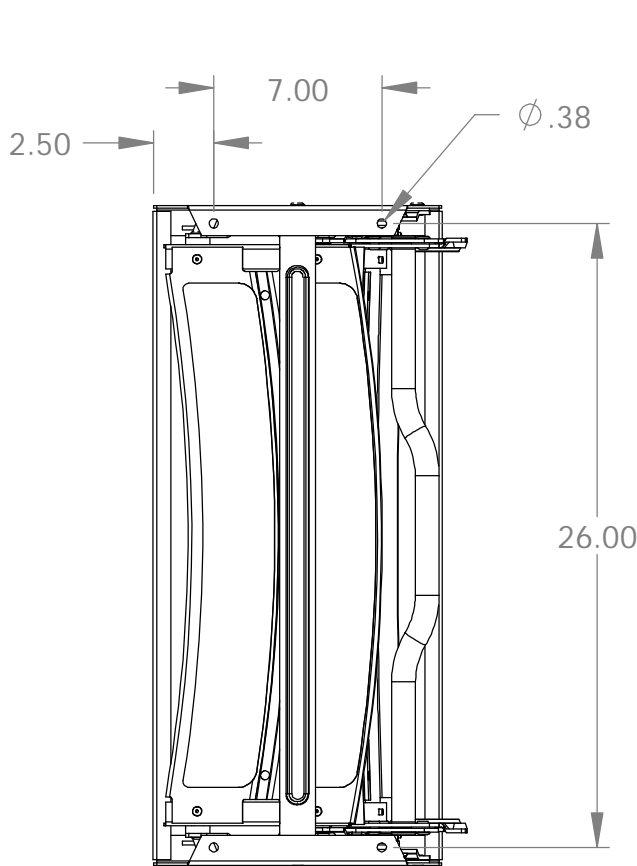


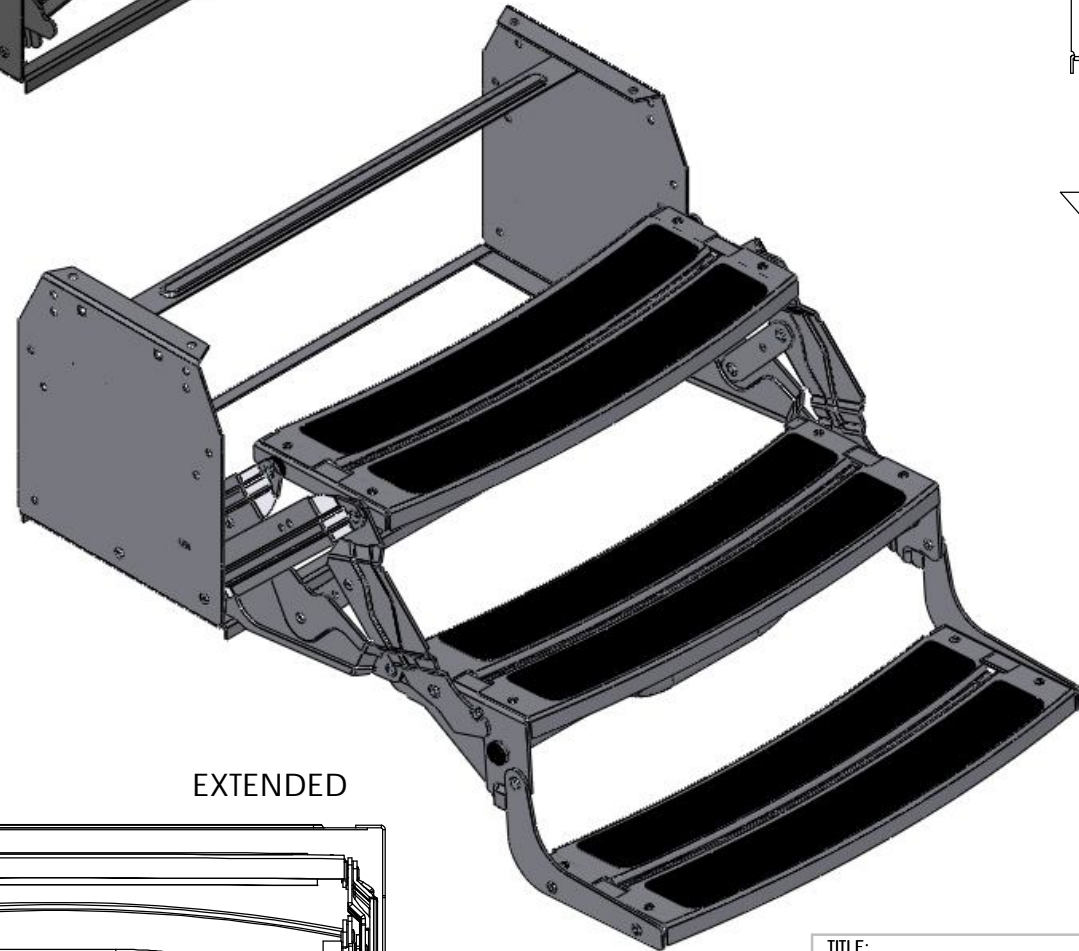
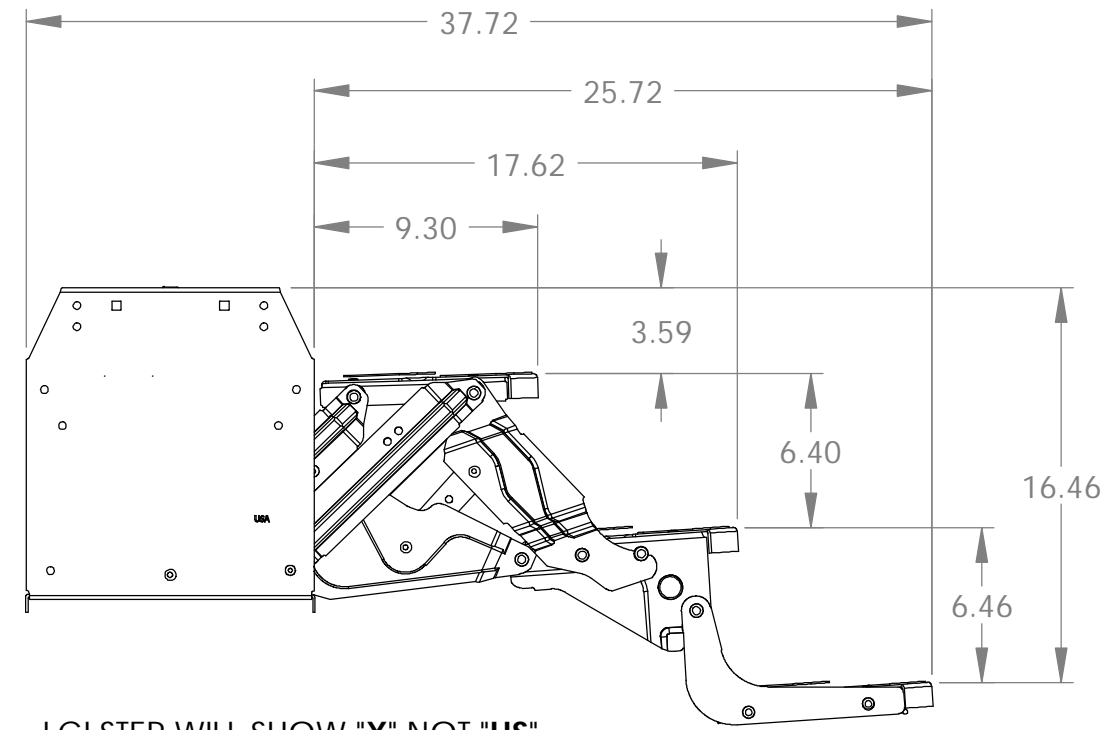
NOTES:

1. INCLUDES TREAD TAPE- 2 PCS PER STEP
2. ALL DIMENSIONS ARE REFERENCE
3. WEIGHT: 57.03 LBS
4. BACK STRAP ANGLE UPDATED PER VENDOR PRINT 45951603
5. TOP STRAP MATERIAL THICKNESS INCREASED FROM .076 TO .093 PER VENDOR PRINT 45953205C1

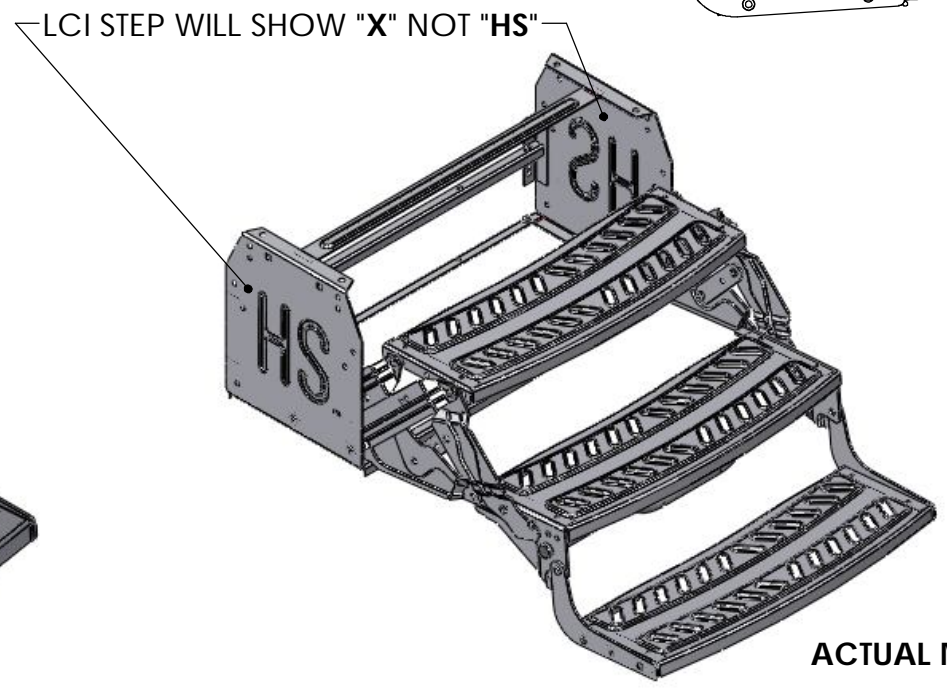
REVISION HISTORY					
REV	DATE	DESCRIPTION	CA	DWR	APVD
C	10/17/2013	ADDED PRODUCTION CONFIG		MTH	
D	6/4/2014	UPDATED DESCRIPTION		MTH	KB
E	11/14/2014	ADD 2 ADDITIONAL HOLES IN BACK SUPPORT, INCREASED TOP STRAP GA FROM .076 TO .093 ECN-SP-DE-13424		KSW	DC
F	8/23/2016	REMOVED ERROR FROM MEDEL	CA-0039818	RAW	RAW



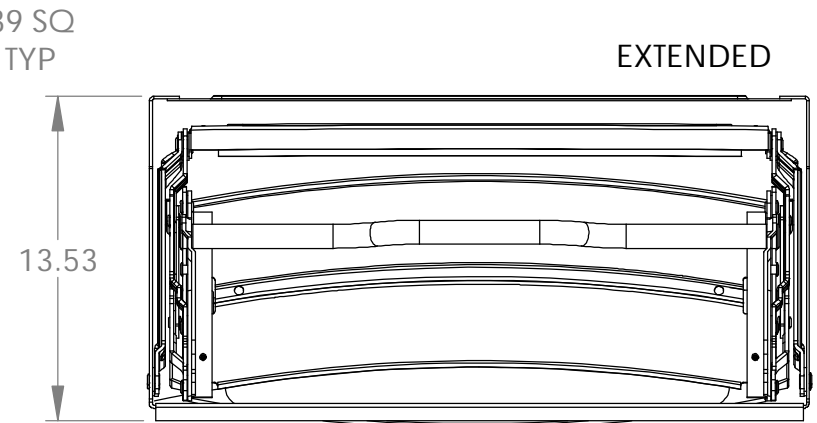
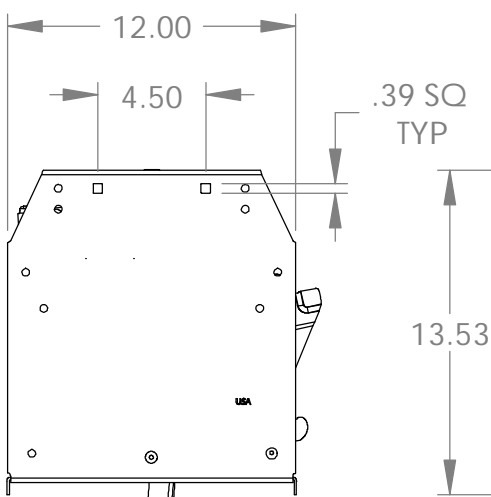
STOWED





EXTENDED



ACTUAL MODEL



TITLE:		<b>STEP, 24" RADIUS TRIPLE 7</b>				
UNLESS OTHERWISE SPECIFIED ALL DIMENSIONS ARE IN INCHES BREAK SHARP EDGES & DEBURR		TOLERANCES (EXCEPT AS NOTED)		LIPPERT COMPONENTS		
FILLET R.015	FINISH 125	DECIMAL .X ±.1 .XX ±.03 .XXX ±.005	 2703 COLLEGE AVE. GOSHEN, IN 46528	THE INFORMATION CONTAINED IN THIS DRAWING IS THE SOLE PROPERTY OF LIPPERT COMPONENTS, INC. ANY REPRODUCTION IN PART OR AS A WHOLE WITHOUT THE WRITTEN PERMISSION OF LIPPERT COMPONENTS, INC. IS PROHIBITED.		
THIRD ANGLE PROJECTION		FRACTIONAL ±1/16		DWG. NO. 235455	SIZE B	DATE: 2/11/2010
		ANGULAR ±1°		ENG JLC	DWR JLC	REV. F
				SCALE: 1:8	SHEET 1 OF 1	