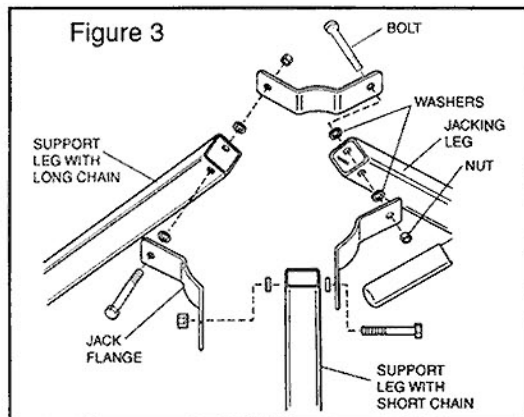
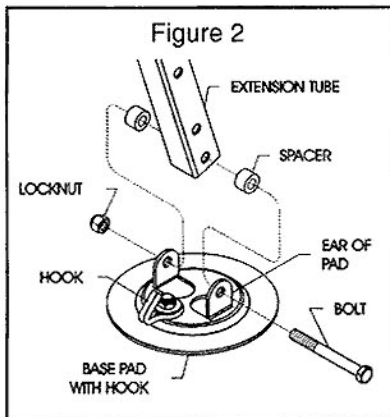
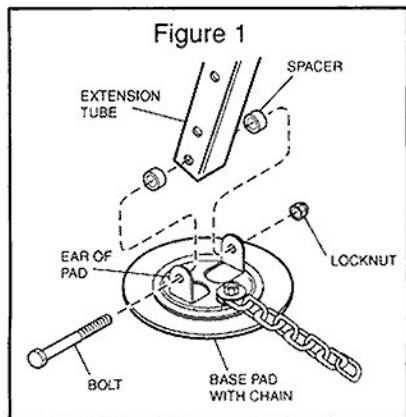


**ASSEMBLY AND OPERATING INSTRUCTIONS**



**SUPPORT LEG ASSEMBLIES:** 1) The base pad assembled with the long chain and base pad assembled with short chain and locking clasp fit on the bottom of the extension tubes which telescope inside the support legs. The chains should be positioned inbound as shown in figure 1. 2) Position the extension tubes between the ears of the base pads. Insert spacers between the extension tubes and base pad ears. Align the holes in the spacers, base pad ears, and extension tubes and secure with the bolts and locknuts provided.

**JACK LEG ASSEMBLY:** 1) The base pad assembled with the hook fits on the bottom of the extension tube which telescopes inside the jack leg. The hook of the base pad should be positioned inbound as shown in figure 2. 2) Position the extension tube between the ears of the base pad. Insert spacers between the extension tube and base pad ears. Align the holes in the spacers, base pad ears, and extension tube and secure with the bolt and locknut provided.

**MAIN ASSEMBLY:** 1) Connect the tops of the support legs and jacking leg with the three jack flanges, bolts, nylon washers and nuts provided (see figure 3).

**PARTS LIST**

INDEX NO.	PART NO.	DESCRIPTION	QTY
1	P852002	OUTER TUBE ASSEMBLY (Jacking Leg)	1
2	P852028	TUBE/NUT ASSEMBLY	1
3	P852018	SCREW ASSEMBLY	1
4	P852001	SUPPORT LEG	2
5	P852004	EXTENSION TUBE	3
6	P852031	BASE PAD	3
7	R852011	CHAIN HOOK	1
8	P852071	JACK FLANGE	3
9	P852026	HANDLE	2
10	R852039	CHAIN, 28 INCHES	1
11	502109	WASHER, 7/16 USS ZINC	1
12	R852010	NYLON WASHER	1
13	502103	NYLON WASHER	6
14	7034	NYLON SPACER WASHER	6
15	501128	HEX HEAD BOLT, 3/8-16 x 3 1/4, GR. 2	3
16	BAL1012	HEX HEAD BOLT, 3/8-16 x 2 1/2, GR. 2	3
17	R852017	HEX HEAD BOLT, 1/4-20 x 1 3/4, GR. 2	1
18	BAL1014	NYLOK NUT, 3/8-16 ZINC	6
19	R852016	NYLOK NUT, 1/4-20 ZINC	1
20	R858015	GROOVED PIN, 3/16 x 3/4, TYPE A	2
21	R852034	3/8 SHORT PLUG	2
22	R852013	DETENT PIN	3
23	R852012	CHAIN, 6 FT.	1
24	502113	HEX HEAD BOLT, 3/8-16 x 3/4	3
25	50189	WASHER, 3/8 USS ZINC	5
26	R852032	JAM NUT, 3/8-16 ZINC	3
27	R852030	SPACER, 3/4 x .385 x .203, NYLON	1
28	R852038	LOCKING CLASP	1

