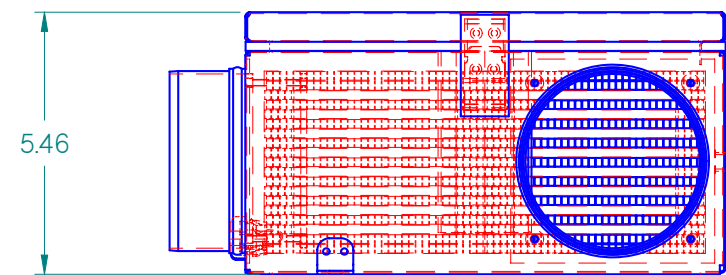
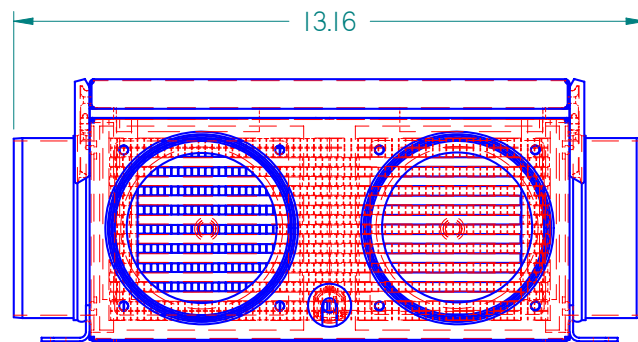
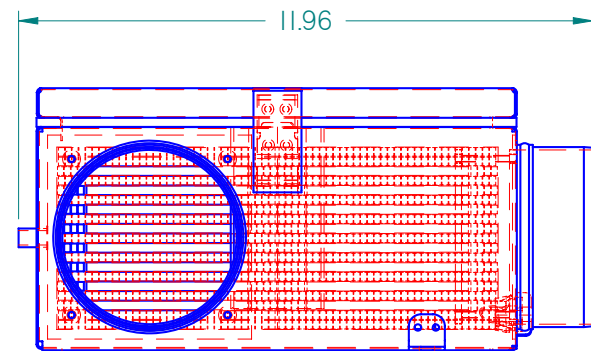
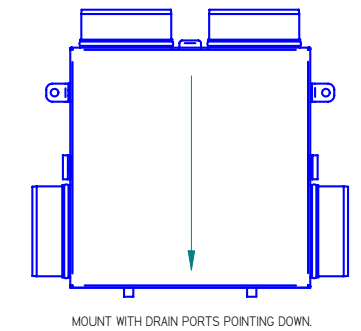
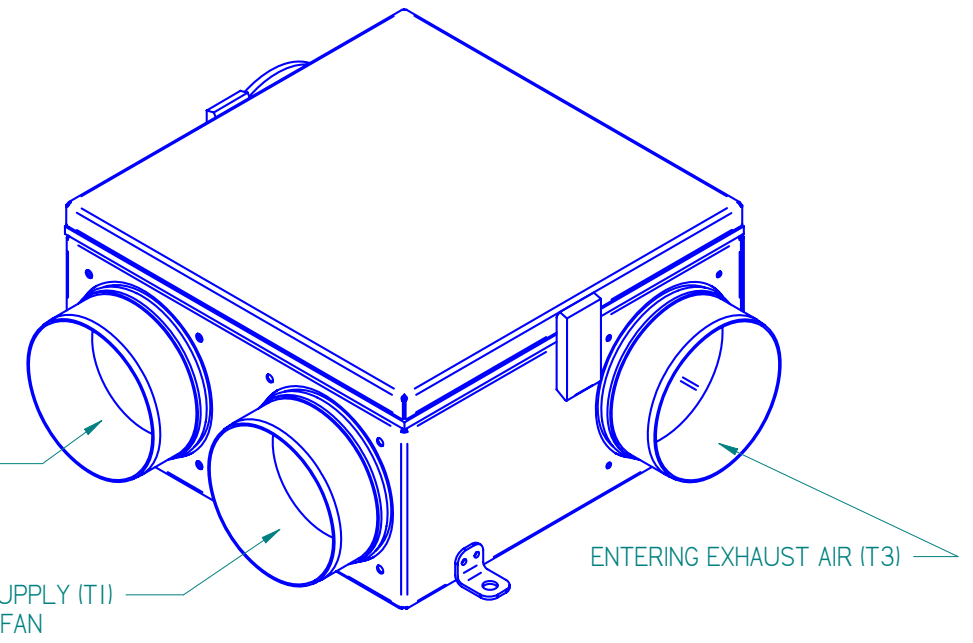
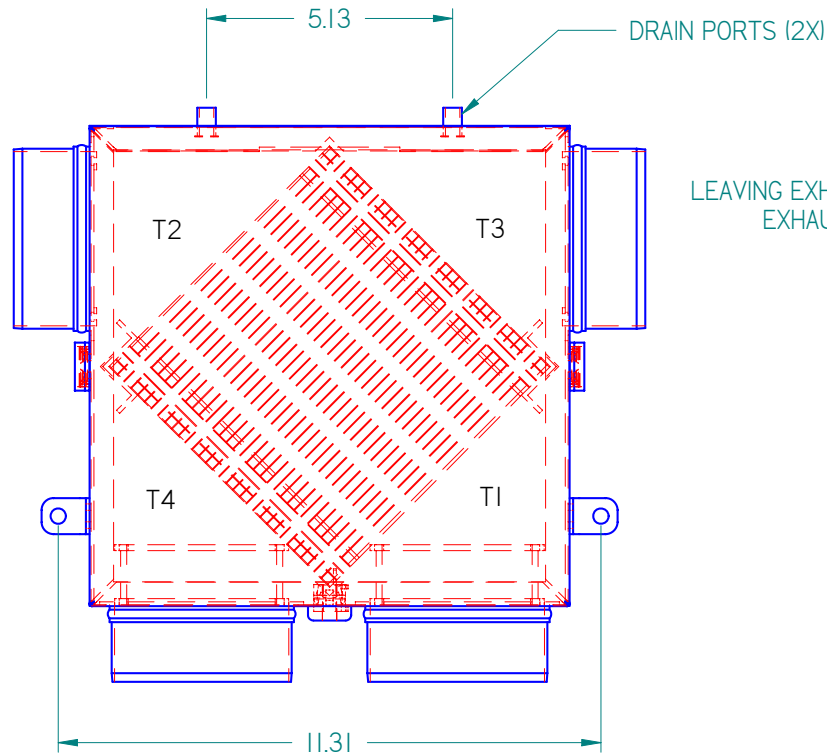
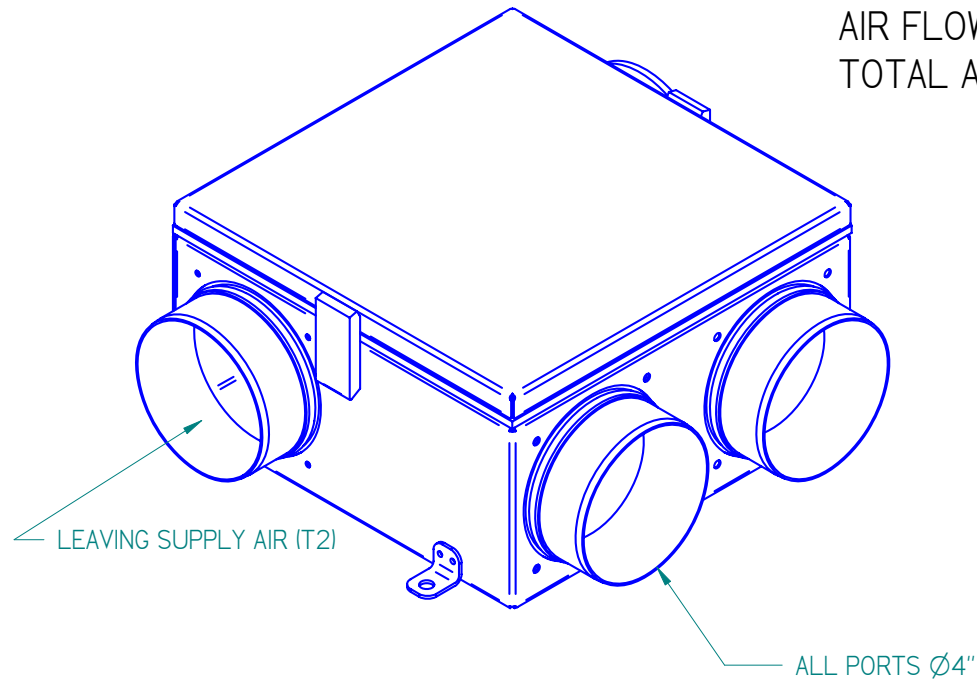



CORE PERFORMANCE:  
 AIR FLOW = 40 CFM @ 0.3 IN H2O OF S.P.  
 TOTAL AIR EXCHANGE %/HR = (40 CFM X 60 MIN) / CF OF CHAMBER



**APPROVED**  
 By JASON COLLINS at 9:45 am, Mar 25, 2009

Fan Motor Specs Nominal Data		Air Flow	Air Flow	Nominal Voltage	Voltage Range	Noise	Sound Power	Sinter-Sleeve Bearings	Ball Bearings	Power Input	Nominal Speed	Temperature Range	Service Live L10 (40°C) ebm-papst Standard	Service Live L10 (T max) ebm-papst Standard	Live expectancy L10Δ (40° C)	Curve	Specials
Type	m3/h	CFM	V DC	V DC	dB(A)	Bel			Watt	min-1	°C	Hours	Hours	Hours	P.90		
3212 JN	130	76.5	12	7... 13.8	51	6.. 1		X	7.5	6 000	-20 ...+70	70 000	/	35 000	140 000	1	/2

NOTE: THIS DRAWING AND ITS DATA ARE THE PROPERTY OF NORCO INDUSTRIES, INC. ANY USE OF THIS DRAWING OR ITS DATA WITHOUT WRITTEN PERMISSION OF NORCO INDUSTRIES, INC. IS EXPRESSLY FORBIDDEN.		DATE: 3/24/09	 <b>NORCO INDUSTRIES, INC.</b> 53236 C.R. 13 ELKHART IN. (574) 262-3400
TOLERANCES UNLESS OTHERWISE SPECIFIED: .XX ±0.3 .XXX ±0.05 XXX ±0.005 ANGLES ±1° FRACTIONS ±1/32		DRAWN BY: JRE	
MATERIAL SPEC #: SEE NOTES &/OR ATTACHMENTS	FINISH: WHITE POWDER COAT	APVD BY: JDC	PART NUMBER 25100
DESCRIPTION 10" AIR EXCHANGE, 4" PORT - STANDARD		REVISION:	