

Model 310 Gravity-discharge Toilet

Robust design. PowerFlush performance.



Dometic 310 toilet

Full-size, light weight, simplified design – perfect for today’s RV

To meet the demands of today’s evolving RV technology, Dometic introduces a lightweight yet powerful toilet that surpasses both RV builder and owner expectations. The Dometic model 310 toilet features easier operation, more comfortable features, and more reliable performance than many other gravity-discharge toilets.

Flushing with as little as 1 pint/0.4 liter of water, the 310 delivers a pressure-enhanced “PowerFlush” rim wash that clears the bowl virtually in an instant! With a new one-direction pedal, the user presses down slightly to add water to the bowl (if needed), then presses down completely to flush.

The smooth continuous lines of Dometic’s new uni-style bowl/base design delivers enhanced visual appeal, and makes routine cleaning much easier. And for RV winterizing, 310 toilet components prone to freezing (water valve, vacuum breaker) can be easily removed for warm storage.

Key Benefits

- Powerful bowl-clearing flush every time.
- Conserves water – uses as little as 1 pint / 0.4 liter per flush.
- Full-size residential-style ceramic bowl and tall seat height for user comfort.
- Ergonomic-height foot pedal for easy operation.
- “One-direction” to add water and flush – just press pedal to operate toilet.
- **Easy installation** – just fasten to floor flange and connect water line.
- Replaces most older RV toilets with 2-bolt flange connection.

Specifications for Dometic 310 Toilet

Model / Series	Flushing Technology	Overall Dimensions	Seat Height	Hand Sprayer	Weight	Colors
310	Gravity discharge	15 x 19 x 20 in. 381 x 483 x 508 mm	18 in. 457 mm	Optional	24 lbs. 10.9 kg	White or bone

Specifications subject to change without notice. Weight may vary +/- 2-3 percent.

Minimum System Requirements

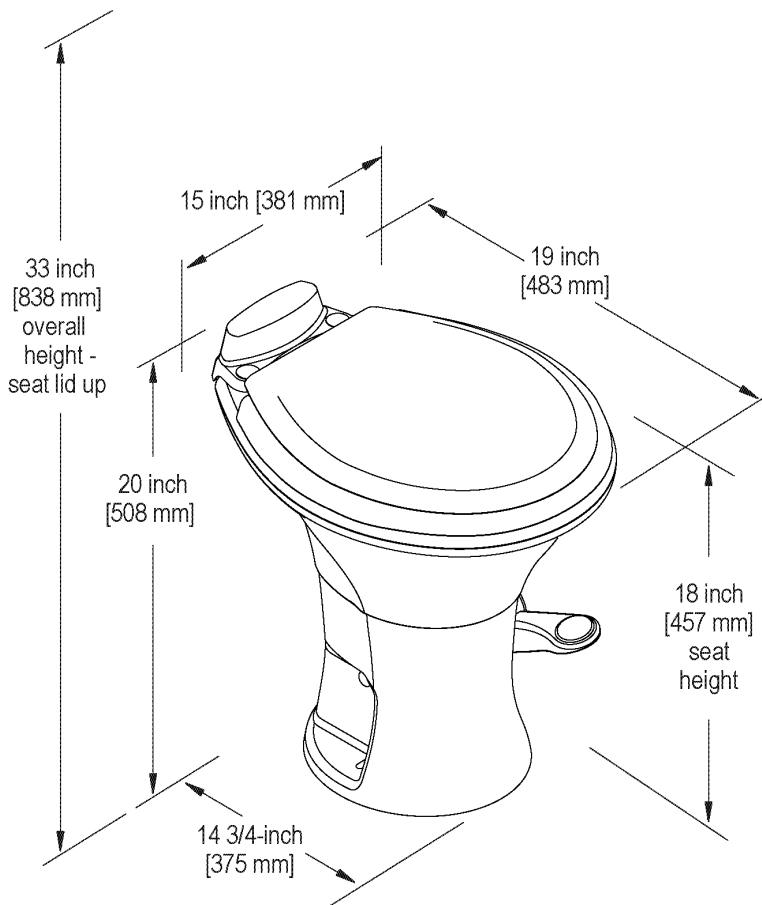
Water Supply	ID	0.5 / 13 mm in.
	Flow rate	3.0-5.0* gpm/11.4-18.8 lpm recommended 2.0 gpm / 9.5 lpm minimum
	Static pressure	30-100 PSI / 206.8 - 689.5 kPa
Discharge	ID	3 in. / 76 mm floor flange, 2-bolt connection**

* Water supply that exceeds 5.0 gpm may require flow restrictor at toilet inlet.

** 310 model also replaces 4-bolt style toilets when installed with mounting adapter kit, available separately.

Specifications subject to change without notice.

Dimensions



DOMETIC CORPORATION, SANITATION DIVISION
 13128 SR 226, PO Box 38 | Big Prairie, OH 44611 USA | 330-496-3211 | Fax 330-496-3097
 www.dometic.com | SeaLand@DometicUSA.com

PowerFlush Features



One-direction Foot Pedal
 Releases high-powered charge of water and air through bowl with every flush.



Full-size Seat and Ceramic Bowl
 Provides premium, homelike comfort.



Open Rim Jets
 Rushes water completely around perimeter to help clear bowl quickly.

Dealer: