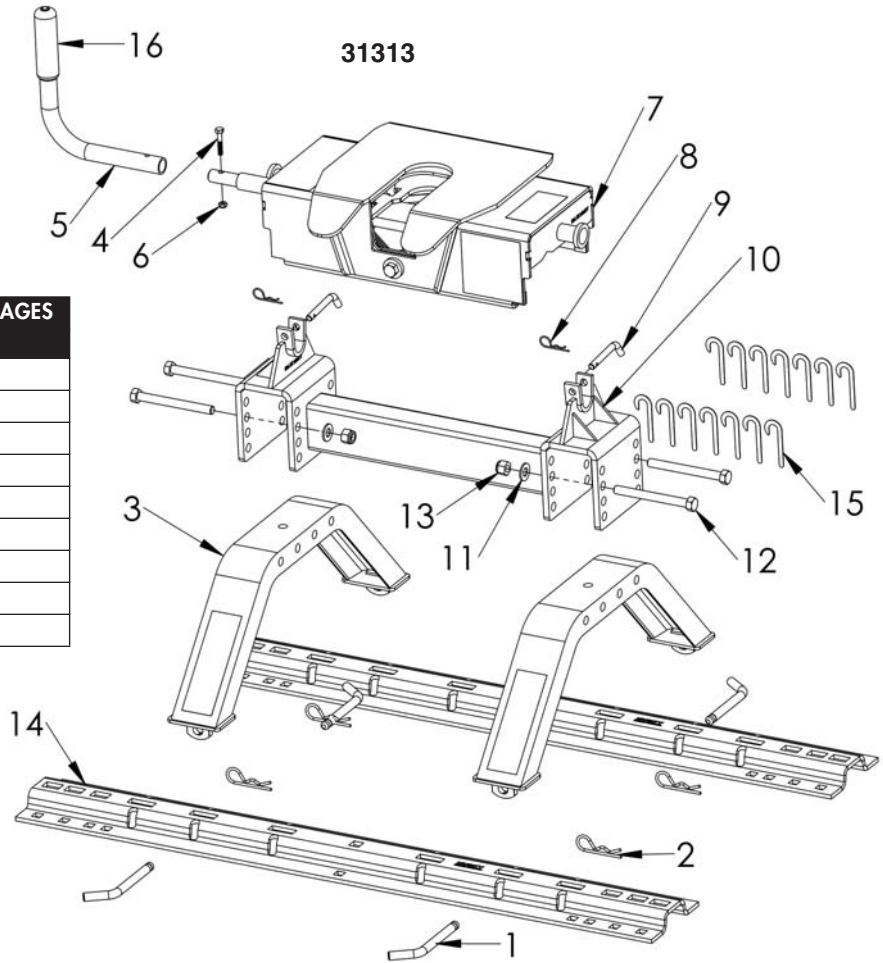


Fifth Wheel Hitch Parts



16,000 lb. Capacity 16K S Fifth Wheel Hitch Parts (Silver Series)



31313 16K S FIFTH WHEEL HITCH PART PACKAGES	
Part #	Description
31314	2 Uprights Package
31452	Cross Member Package
31453	16K S Head and Handle Package
31454	Handle Kit
31455	16K S Complete Hardware Kit
31456	16K S Hitch Head Retaining Pins
31458	Cross Member Hardware Kit
31572	Rubber Grommet Kit
32043	Shim Kit

All products limited to Vehicle Tow Rating; see Vehicle Owners Manual. See www.huskytow.com for warranty information and tech support.

	Package Description:	16K S Head & Cross Member Pkg.	2 Uprights Package	Cross Member Package	16K S Head & Handle Package	Handle Kit	16K S Complete Hardware Kit	16K S Hitch Head Retaining Pins	Cross Member Hardware Kit	Rubber Grommet Kit	Shim Kit
Ref.	Part Description	31313 Qty.	31314 Qty.	31452 Qty.	31453 Qty.	31454 Qty.	31455 Qty.	31456 Qty.	31458 Qty.	31572 Qty.	32043 Qty.
1	1/2" Base Rail Pin	4					4				
2	1/2" Hair Pin	4					4				
3	Upright		2								
4	1/4-20 UNC x 1.375" Long Hex Head Bolt	1			1	1					
5	Handle	1			1	1					
6	1/4-20 UNC Nylon Hex Nut	1			1	1					
7	16K S 5th Wheel Head Assy.	1			1						
8	3/8" Hair Pin	2			2		2	2			
9	3/8" Clevis Pin	2			2		2	2			
10	Cross Member	1		1							
11	1/2" Flat Washer	4		4			4		4		
12	1/2-13 UNC x 5" Long Hex Head Bolt	4		4			4		4		
13	1/2-13 UNC Nylon Hex Nut	4		4			4		4		
14	Base Rail for 5th Wheel Hitch (not included)	N/A	N/A	N/A	N/A	N/A	N/A	N/A	N/A	N/A	N/A
15	Shims		14								14
16	Rubber Grip	1									
17	Instructions (not shown)	1	1								1

Fifth Wheel Hitch Parts



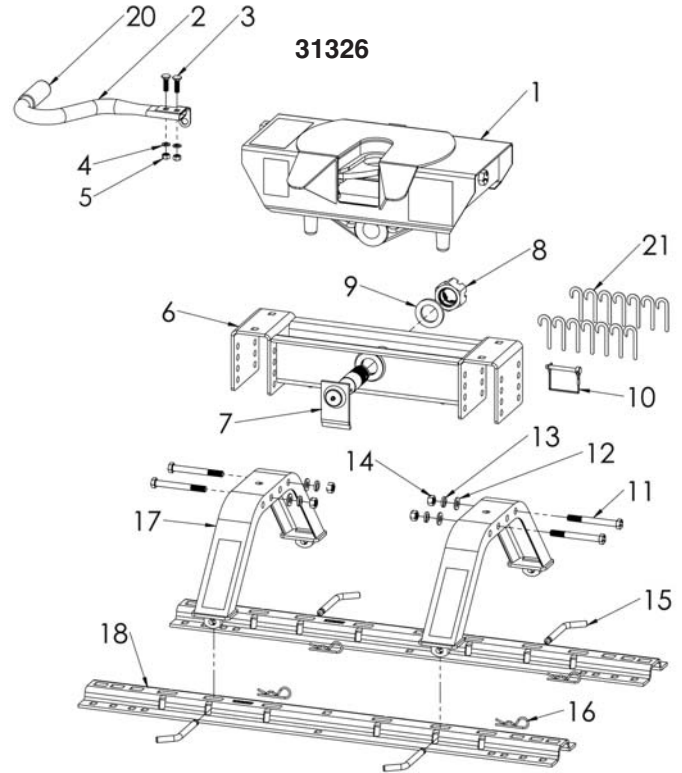
16,000 lb. Capacity 16K W Fifth Wheel Hitch Parts (Silver Series)

31326 16K W FIFTH WHEEL HITCH PART PACKAGES

Part #	Description
31314	2 Uprights Package
31573	Kit, Handle
31574	Kit, Pivot Pin
31575	Kit, 16K W Cross Member Hardware
31576	Kit, Base Rail Hardware
31580	Kit, 16K W Cross Member
31581	Kit, Head & Yoke
31579	Kit, Handle Grip
31703	Cross Member Rubber Bumper Replacement Service Kit, Qty=2
32043	Shim Kit



All products limited to Vehicle Tow Rating; see Vehicle Owners Manual. See www.huskytow.com for warranty information and tech support.



Package Description:	16K W Head & Yoke Box 1 of 2	16K W Cross Member & Pivot Pin Box 2 of 2	Uprights Package	Handle Kit	Pivot Pin Kit	16K W Cross Member Hardware Kit	Base Rail Hardware Kit	16K W Cross Member Kit	16K W Head & Yoke Kit	Handle Grip Kit	Rubber Bumper Kit	Shim Kit
31326 Box 1	31326 Box 2	31314	31573	31574	31575	31576	31580	31581	31579	31703	32043	
Ref.	Part Description	Qty.	Qty.	Qty.	Qty.	Qty.	Qty.	Qty.	Qty.	Qty.	Qty.	Qty.
1	16K 5th Wheel Head Assembly	1							1			
2	Handle	1			1							
3	Carriage Bolt, 3/8-16 x 1.25" L	2			2							
4	Lock Washer, 3/8" ID	2			2							
5	Hex Nut, 3/8-16	2			2							
N/A	Instructions (Not Shown)	1	1		1	1	1	1	1	1		1
6	Cross Member		1					1				
7	Pivot Pin		1		1							
8	Castle Nut, 1-1/2-12		1		1							
9	Castle Nut Spacer Washer		1		1							
10	Safety Locking Pin		1		1							
11	Hex Head Bolt, 1/2-13 x 4.5" L		4			4						
12	Washer, 1/2" ID		4			4						
13	1/2-13 UNC Lock Washer		4			4						
14	1/2-13 UNC Hex Nut		4			4						
15	1/2" OD X 2.50" Long Clevis Pin		4				4					
16	Hair Pin		4				4					
17	Upright			2								
18	Base Rail for 5th Wheel Hitch (not included)	N/A	N/A	N/A	N/A	N/A	N/A	N/A	N/A	N/A	N/A	N/A
19	Rubber Bumper		2					2			2	
20	Foam Handle Grip	1			1					2		
21	Shims			14								14

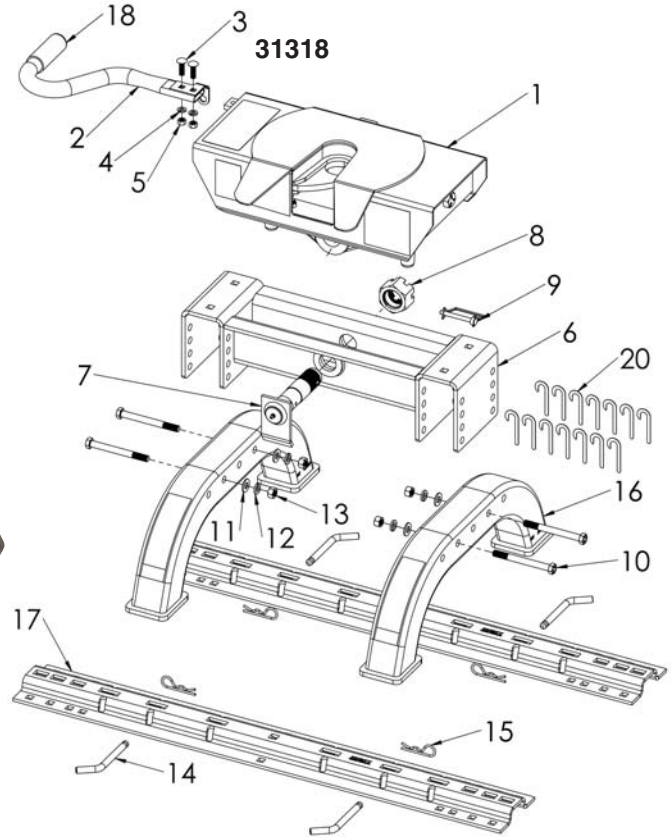
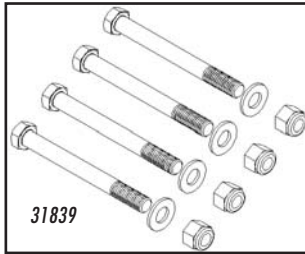
Fifth Wheel Hitch Parts



26,000 lb. Capacity 26K W Fifth Wheel Hitch Parts (Silver Series)

31318 26K W FIFTH WHEEL HITCH PART PACKAGES

Part #	Description
31325	2 Uprights Package
31573	Kit, Handle
31574	Kit, Pivot Pin
31839	Kit, 26K W Cross Member Hardware
31576	Kit, Base Rail Hardware
31577	Kit, Cross Member
31578	Kit, Head & Yoke
31579	Kit, Handle Grip
31703	Cross Member Rubber Bumper Replacement Service Kit, Qty=2
32043	Shim Kit



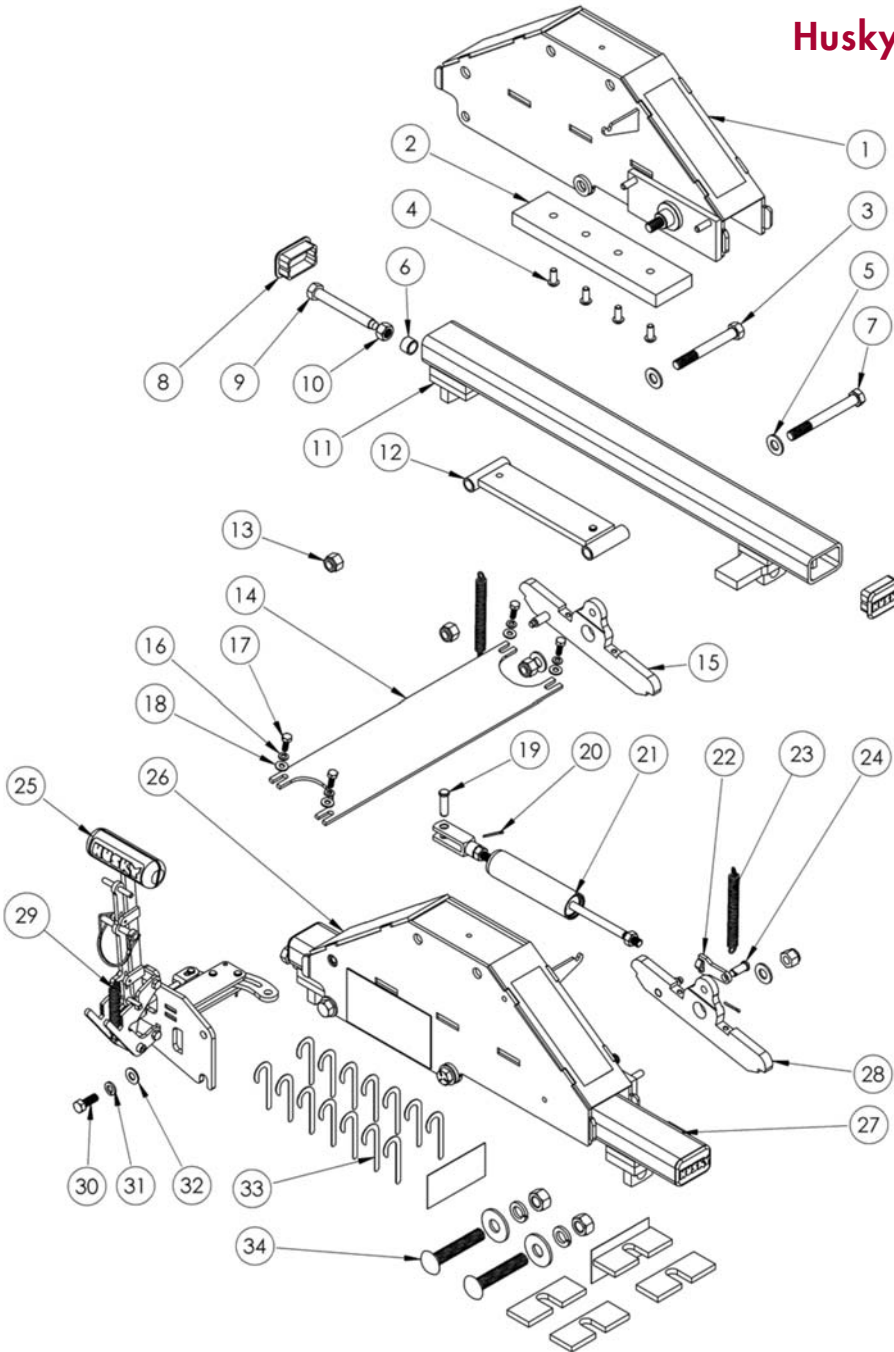
All products limited to Vehicle Tow Rating; see Vehicle Owners Manual. See www.huskytow.com for warranty information and tech support.

Package Description:	26K W Head & Yoke Box 1 of 2	26K W Cross Member & Pivot Pin Box 2 of 2	Uprights Package	Handle Kit	Pivot Pin Kit	Kit, 26K W Cross Member Hardware	Base Rail Hardware Kit	26K W Cross Member Kit	26K W Head & Yoke Kit	Handle Grip Kit	Rubber Bumper Kit	Shim Kit
Ref. Part Description	31318 Box 1 Qty.	31318 Box 2 Qty.	31325 Qty.	31573 Qty.	31574 Qty.	31839 Qty.	31576 Qty.	31577 Qty.	31578 Qty.	31579 Qty.	31703 Qty.	32043 Qty.
1 26K W 5th Wheel Head Assembly	1								1			
2 Handle	1			1								
3 Carriage Bolt, 3/8-16 x 1.25" L	2			2								
4 Lock Washer, 3/8" ID	2			2								
5 Hex Nut, 3/8-16	2			2								
N/A Instructions (Not Shown)	1	1	1	1	1	1	1	1	1	1	1	1
6 Cross Member		1						1				
7 Pivot Pin		1			1							
8 1-1/2-12 Hex Nut		1			1							
9 Safety Locking Pin		1			1							
10 1/2-13 x 5" Long Hex Head Bolt		4				4						
11 1/2" ID Washer		4				4						
12 1/2" Lock Washer		4				4						
13 1/2-13 UNC Hex Nut		4				4						
14 Clevis Pin, 1/2" OD x 2.50" Long		4					4					
15 Hair Pin		4					4					
16 Upright			2									
17 Base Rail for 5th Wheel Hitch (Not Included)	N/A	N/A	N/A	N/A	N/A	N/A	N/A	N/A	N/A	N/A	N/A	N/A
18 Handle, Foam Grip	1			1						2		
19 Rubber Bumper		2						2			2	
20 Shims			14									14

10-16 Glider Parts



**Husky 10-16 Glider Parts
(Silver Series)
(see next page for
package contents)**



HUSKY 10-16 GLIDER PART PACKAGES (See facing page for package contents)		
Part #	Pkg	Description
31196	A	3 Box Set for 16K Husky 10 Glider
32043	B	Shim Kit (Thin)
31751	C	16K Husky 10 Pull Handle Service Kit
31752	D	16K Husky 10 Pull Handle 3/8" Hardware Kit
31789	E	16K Husky 10 Gliding Pad Service Kit
31795	F	16K Husky 10 Compression Cylinder Assy. Service Kit
32048	G	Husky 10 Handle Return Spring Service Kit
31796	H	16K Husky 10 Passenger Side Pivot Assy. Service Kit
31797	I	16K Husky 10 Clevis-Cotter Pin Service Kit

HUSKY 10-16 GLIDER PART PACKAGES (See facing page for package contents)		
Part #	Pkg	Description
31803	J	16K Husky 10 Pivot Plate Assembly Service Kit
31804	K	16K Husky 10 Housing Hardware (1/2") Service Kit
32054	L	Husky 10 End Tube Plugs Service Kit
31805	M	16K Husky 10 Pivot Return Spring Service Kit
32058	N	Pivot Plate Hardware Service Kit
32059	O	Center Bolt Service Kit
31806	P	Bump Stop Service Kit
31745	Q	Driver Side 16K Husky 10 Assembly Service Kit
31748	R	Passenger Side 16K Husky 10 Assembly Service Kit

10-16 Glider Parts



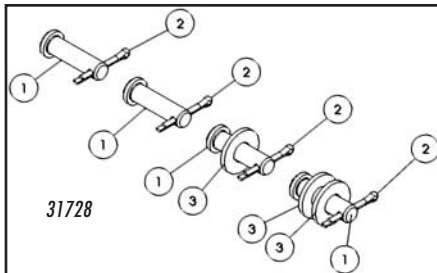
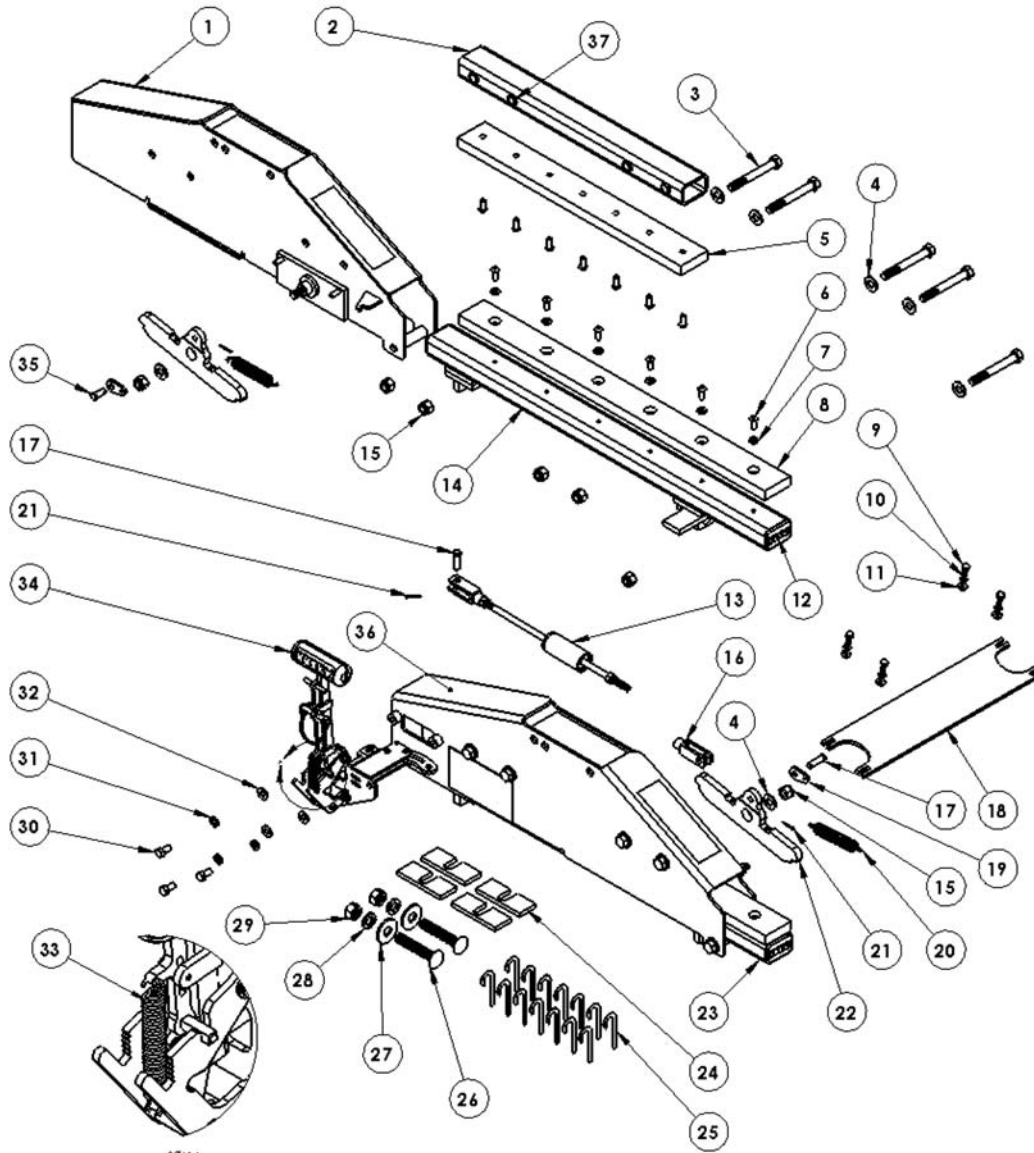
Husky 10-16 Glider Parts (See previous page for illustration and ordering)

Ref.	Part Description	PACKAGE:																	
		B Qty.	C Qty.	D Qty.	E Qty.	F Qty.	G Qty.	H Qty.	I Qty.	J Qty.	K Qty.	L Qty.	M Qty.	N Qty.	O Qty.	P Qty.	Q Qty.	R Qty.	
1	Passenger Side Housing																	1	
2	Glide Pad				2													1	
3	1/2-13 x 4" Hex Bolt																	1	
4	5/16-18 UNC x 3/4" Button Head Screw				8													4	
5	1/2" ID Flat Washer					1		1			2							3	
6	3/4" OD x 9/16" ID x 1/2" Long Bushing															2		1	
7	1/2-13 x 4.5 Hex Bolt, GR5										2							1	
8	Husky Tube Plug											2						2	
9	1/2-13 x 4" Hex Bolt																2	1	
10	1/2-13 Hex Nut																2	1	
11	Passenger Side Lower Rail																	1	
12	Housing/Rail Spacing Assembly										1							1	
13	1/2" Nylon Lock Nut					1		1			2							3	
14	Pivot Plate									1									
15	Passenger Side Flipper							1										1	
16	1/4" Lock Washer									4				4					
17	1/4 -20 x .75" Hex Bolt										4				4				
18	1/4" Flat Washer										4				4				
19	3/8 x 1.25 Clevis Pin									1								1	
20	7/64 x 1 Cotter Pin					1			2									1	
21	Husky 10-16K Compression Spring Assy					1													
22	Nut and Plate Weldment					1												1	
23	1/2" OD x 4.50" Long Ext. Spring					1		1					2					1	
24	3/8 x .875 Clevis Pin					1			1										
25	Husky 10-16K Pull Handle		1																
26	Driver Side Housing																	1	
27	Driver Side Lower Rail																	1	
28	Driver Side Flipper					1												1	
29	1/2" OD x 2.75" Long Ext. Spring							1											
30	3/8-16 UNC x 1.00 Hex Bolt		1	1															
31	3/8 Lock Washer		1	1															
32	3/8 Flat Washer		1	1															
33	Thin Shim Kit	1																	
34	Center Bolt Kit															1			

10-26 Glider Parts



Husky 10-26 Glider Parts (Silver Series) (see next page for package contents)



31728 Clevis & Cotter Pin Service Kit

Part #	Description
31728	Replacement Clevis & Cotter Pin service kit for 10-26 Glider handle: 1: 1/4" x 7/8" Clevis Pin, Qty=4 2: 5/64" x 3/4" L Cotter Pin, Qty=4 3: 1/4" Flat Washer, Qty=3

HUSKY 10-26 GLIDER PART PACKAGES (See facing page for package contents)

Part #	Pkg	Description
32042	A	3-Box Set for 10-26 Glider (complete unit, includes all parts)
32043	B	Shim Kit (Thin)
32044	C	26K Husky 10 Pull Handle Service Kit
32045	D	26K Husky 10 Pull Handle 3/8" Hardware Service Kit
32046	E	26K Husky 10 Gliding Pad Service Kit
32047	F	26K Husky 10 Compression Cylinder Assembly Service Kit
32048	G	Husky 10 Handle Return Spring Service Kit
32049	H	26K Husky 10 Passenger Side Pivot Assembly Service Kit
32050	I	Husky 10 Clevis/Cotter Pin Service Kit
32051	J	26K Husky 10 Pivot Plate Assembly Service Kit
32053	K	26K Husky 10 Housing Hardware (1/2") Service Kit
32054	L	Husky 10 End Tube Plugs Service Kit
32056	M	Husky 10 Pivot Return Spring Service Kit
32058	N	Pivot Plate Hardware Service Kit
32059	O	Center Bolt Service Kit

10-26 Glider Parts



Husky 10-26 Glider Parts (See previous page for illustration and ordering)

Ref.	Part Description	Pkg B Qty.	Pkg C Qty.	Pkg D Qty.	Pkg E Qty.	Pkg F Qty.	Pkg G Qty.	Pkg H Qty.	Pkg I Qty.	Pkg J Qty.	Pkg K Qty.	Pkg L Qty.	Pkg M Qty.	Pkg N Qty.	Pkg O Qty.
1	Passenger Side Housing														
2	Upper Support Tube														
3	Bolt, Hex 1/2 -13 x 4" Long, GR5, YZ										5				
4	1/2" Flat Washer					1		1			5				
5	Upper Glide Plate				1										
6	5/16-18 UNC X 3/4" Socket Button Cap Screw				13										
7	5/16" Flat Washer				6										
8	Lower Glide Plate				1										
9	1/4 -20 x .75" Hex Head Bolt									4				4	
10	1/4" Lock Washer									4				4	
11	1/4" Flat Washer									4				4	
12	Husky Rubber Tube Plug										2				
13	Compression Cylinder Assembly					1									
14	Passenger Side Rail														
15	1/2-13 Lock Nut					1		1			5				
16	Clevis Rod End					1									
17	3/8 x 1.25 Clevis Pin					2			2						
18	Pivot Plate									1					
19	Extension Spring Pivot Plate					1		1							
20	3/4" OD x 3.50" Ext. Spring					1		1				2			
21	7/64 X 1 Cotter Pin					2		1	3						
22	Pivot Stop Plate					1		1							
23	Driver Side Rail														
24	Spacer Plate														4
25	Hook Shim (Thin)	14													
26	5/8-11 UNC x 3.50 Carriage Head Bolt														2
27	5/8" Flat Washer														2
28	5/8" Lock Washer														2
29	5/8-11 UNC Hex Nut														2
30	3/8-16 x .75 Hex Head Bolt		3	3											
31	3/8" Lock Washer		3	3											
32	3/8" Flat Washer		3	3											
33	1/2" OD x 2.75" Long Ext. Spring						1								
34	26K Husky 10 Pull Handle Assembly	1													
35	3/8 x .875 Clevis Pin							1	1						
36	Driver Side Housing														
37	1/2" ID Spacer										5				