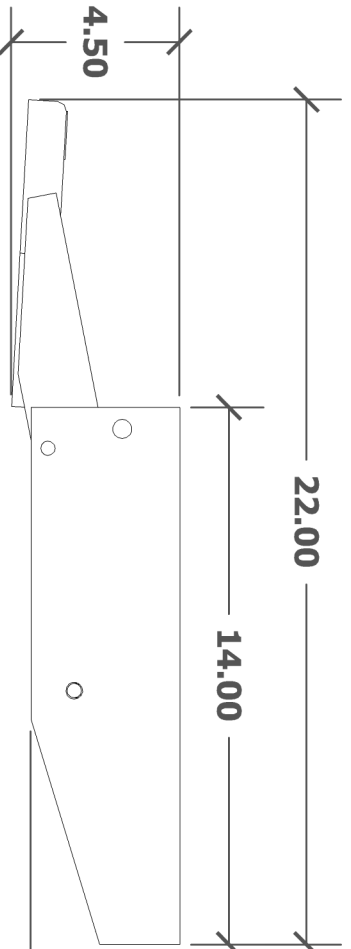
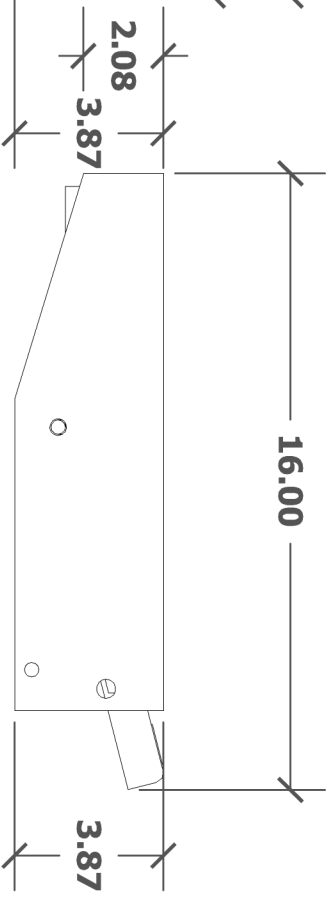


Open Step



Closed Step

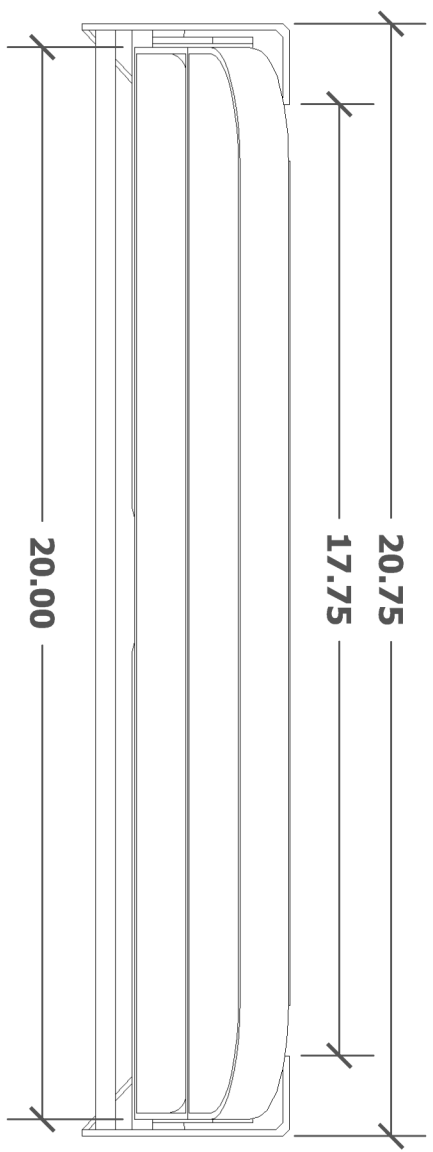


Side View

Scale: 1"=1/4"

Side View

Scale: 1"=1/4"



Front View

Scale: 1"=1/4"

Elkhart Tool & Die

Step No. 320-(2)

www.ElkhartTool.com