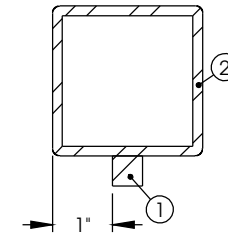
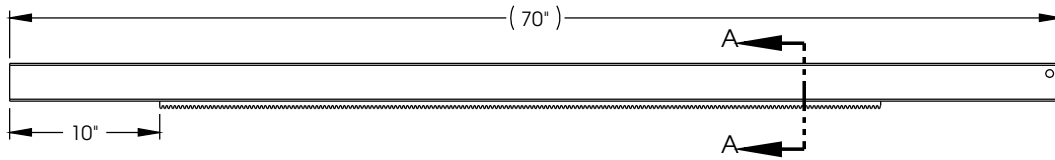
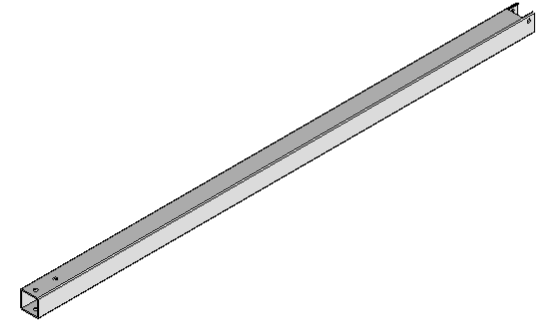


NOTES:

1. THIS INNER TUBE IS OBSOLETE DUE TO A GEAR RACK CHANGE AND SHOULD ONLY BE USED BY THE SERVICE GROUP FOR WARRANTY AND FIELD REPLACEMENTS ON OLDER UNITS


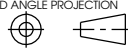
REVISION HISTORY				
REV	DATE	DESCRIPTION	DWR	APVD
A	6/24/2013	RELEASED TO PRODUCTION	MTH	IK



SECTION A-A  
SCALE 1 : 2

ITEM	PART NO.	CONFIG	DESCRIPTION	NAME	GA	QTY.
1	124362	Default	GEAR RACK 48 X .5 X .5 - 14.5 PA/12 DP	GEAR		1
2	122782	Default	2 1/2" X 2 1/2" X 70"	Inner Tube	8	1

TITLE: 2 1/2 X 2 1/2 INBOARD INNER TUBE ASSEMBLY, 14.5PA/12DP

UNLESS OTHERWISE SPECIFIED ALL DIMENSIONS ARE IN INCHES BREAK SHARP EDGES & DEBURR		TOLERANCES (EXCEPT AS NOTED)		LIPPERT COMPONENTS		THE INFORMATION CONTAINED IN THIS DRAWING IS THE SOLE PROPERTY OF LIPPERT COMPONENTS, INC. ANY REPRODUCTION IN PART OR AS A WHOLE WITHOUT THE WRITTEN PERMISSION OF LIPPERT COMPONENTS, INC. IS PROHIBITED.	
FILLETS R.015	FINISH 125	DECIMAL .X ±1 .XX ±03 .XXX ±005	FRACTIONAL ±1/16	ANGULAR ±1°		DWG. NO. 334648	DATE: 08/18/2006
THIRD ANGLE PROJECTION				2703 COLLEGE AVE GOSHEN, IN 46528		SIZE B	REV. A
				ENG MTH		DWR MTH	SHEET 1 OF 1