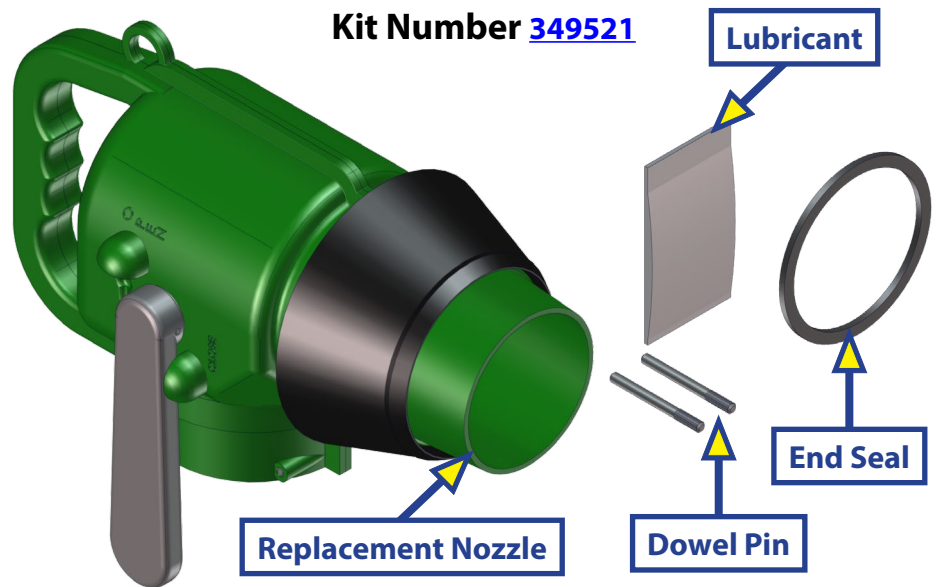


STORAGE AND CONVENIENCE

Tools Needed

- 1/8" punch
- Hammer
- Replacement Waste Master nozzle
- (2) dowel pins
- End seal
- Dow Corning 111 lubricant



Replacement Procedure

1. At the nozzle, drive two pins out with a 1/8" punch and hammer (Fig. 1).

NOTE: Orient nozzle as seen in (Fig. 1). Drive pins out toward operating lever (Fig.1).

2. Remove nozzle from hose.
3. Before installing new nozzle, make sure new end seal is in place (flat end in groove).
4. Coat the seal with Dow Corning 111 lubricant included in kit.
5. Install new nozzle on hose.
6. Drive pins back into place. Install from operating lever side, smooth end first.



As a supplier of components to the RV industry, safety, education and customer satisfaction are our primary concerns. Should you have any questions, please do not hesitate to contact us at (574) 537-8900 or by email at customerservice@lci1.com. Self-help tips, technical documents, product videos and a training class schedule are available at lci1.com or by downloading the MyLCI app.