



LIPPERT
COMPONENTS®

Awnbrella™

Installation and Owner's Manual

(For Aftermarket Applications)

Table of Contents

Introduction	1
Awnbrella™ Parts List	2
Resources Required	3
Installation	3
Spacing Awnbrella Arms	3
Drilling the Roller Tube	4
Mounting Hanger Blocks	5
Inserting Awnbrella Arms	5
Velcro® Stabilizers	6
Proper Awning Extention for Awnbrella Arms	7
Special Notes:	7

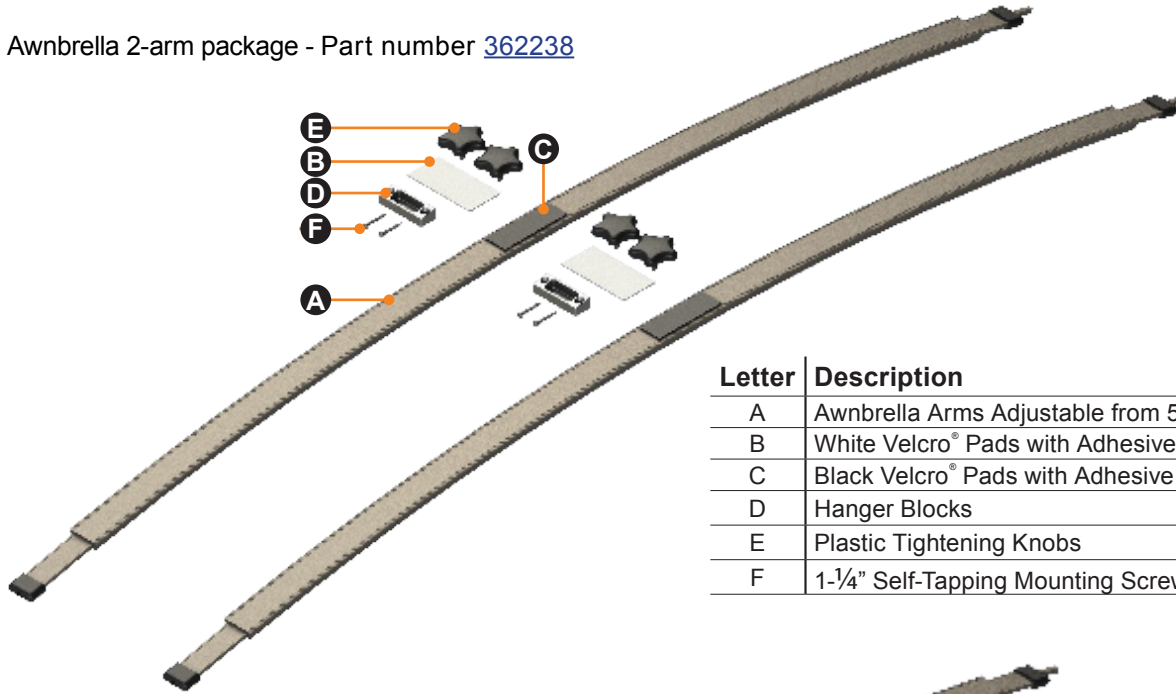
Introduction

Give your awning extra support and better angle for water runoff with the Solera® Awnbrella. Rust-resistant aluminum bows hold fabric taut and arched so water and debris can easily run off.



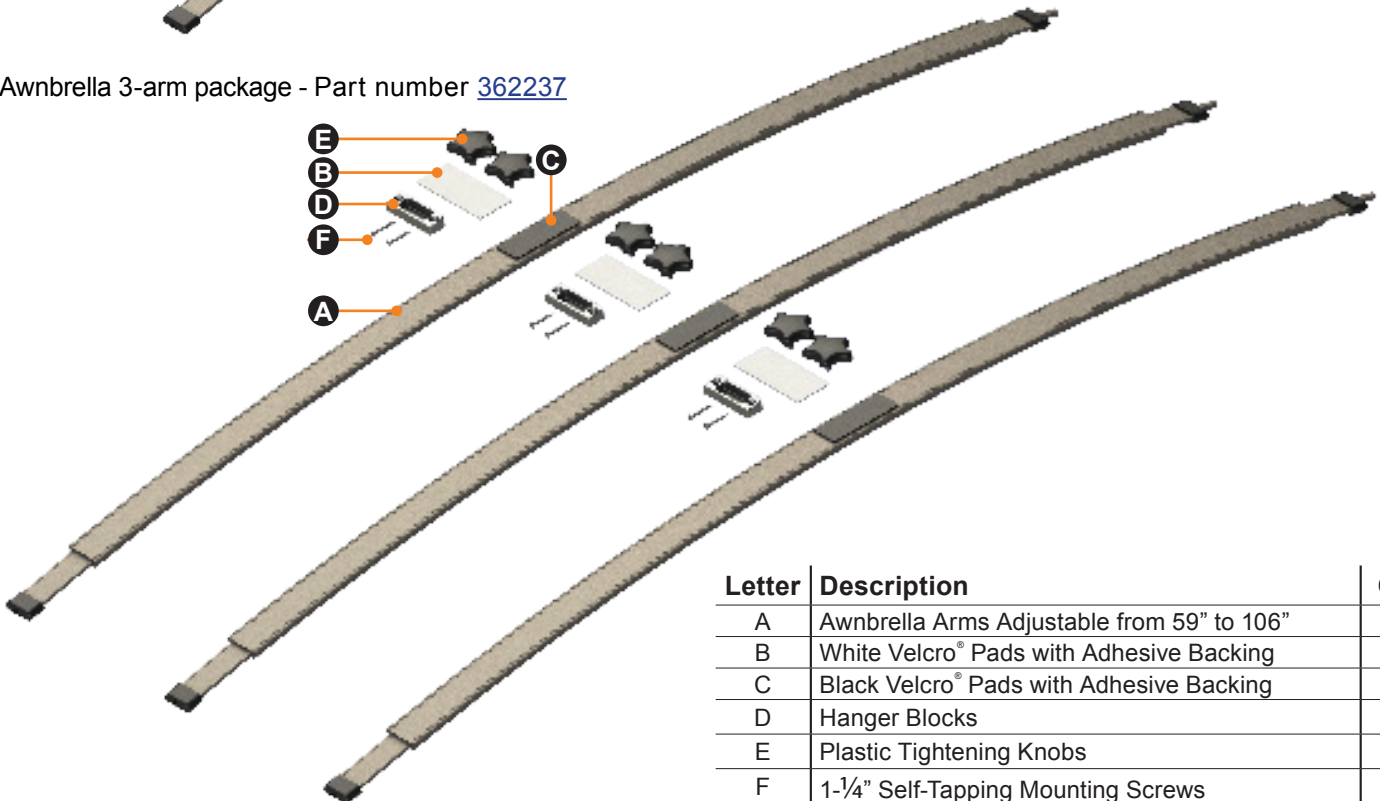
Awnbrella Parts List

Awnbrella 2-arm package - Part number [362238](#)



Letter	Description	Qty
A	Awnbrella Arms Adjustable from 59" to 106"	2
B	White Velcro® Pads with Adhesive Backing	2
C	Black Velcro® Pads with Adhesive Backing	2
D	Hanger Blocks	2
E	Plastic Tightening Knobs	4
F	1-1/4" Self-Tapping Mounting Screws	4

Awnbrella 3-arm package - Part number [362237](#)

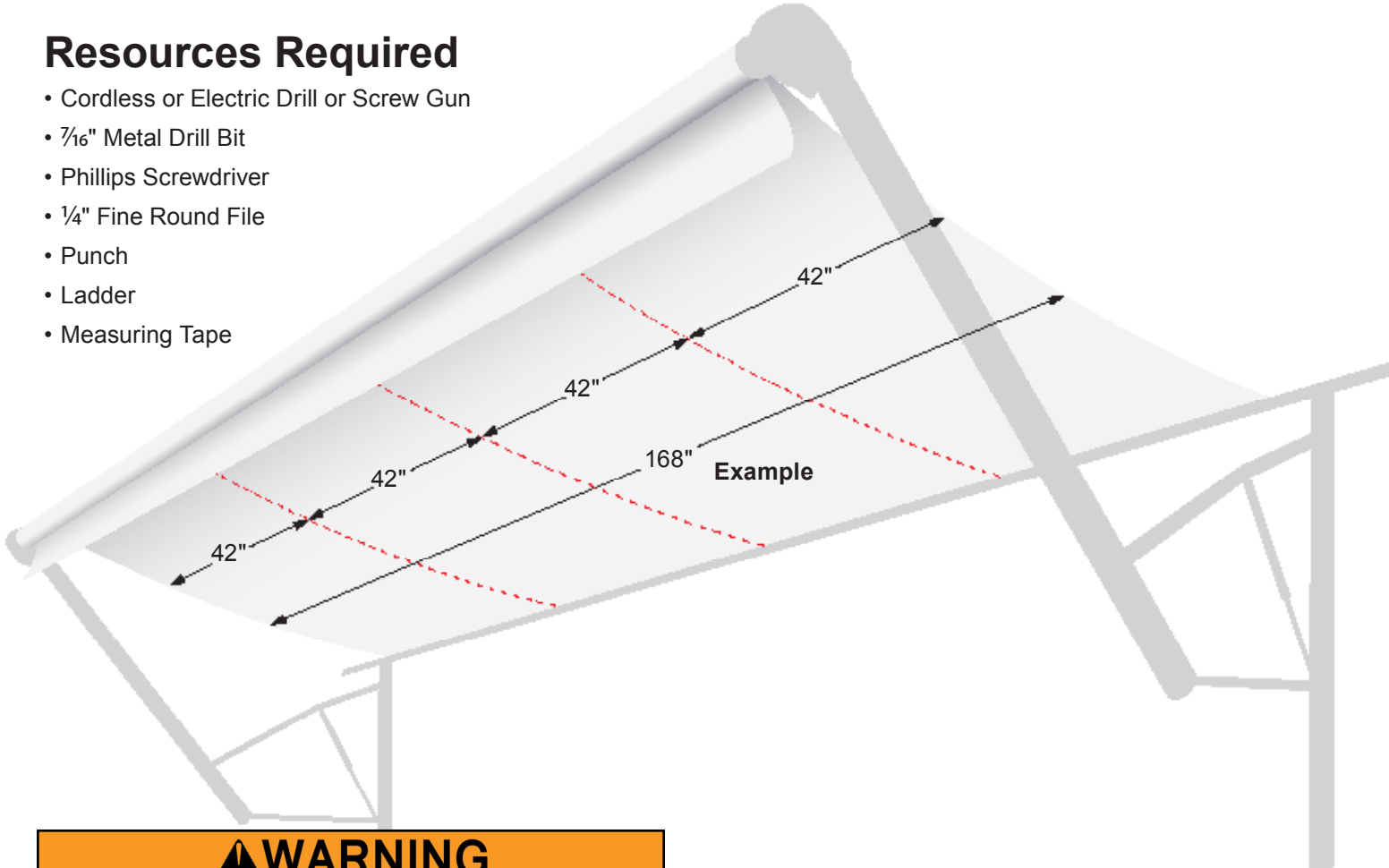


Letter	Description	Qty
A	Awnbrella Arms Adjustable from 59" to 106"	3
B	White Velcro® Pads with Adhesive Backing	3
C	Black Velcro® Pads with Adhesive Backing	3
D	Hanger Blocks	3
E	Plastic Tightening Knobs	6
F	1-1/4" Self-Tapping Mounting Screws	6



Resources Required

- Cordless or Electric Drill or Screw Gun
- 7/16" Metal Drill Bit
- Phillips Screwdriver
- 1/4" Fine Round File
- Punch
- Ladder
- Measuring Tape



⚠ WARNING

FAILURE TO FOLLOW THE INSTRUCTIONS PROVIDED IN THIS MANUAL MAY RESULT IN DEATH, SERIOUS INJURY, COACH DAMAGE, OR VOIDING OF THE COMPONENT WARRANTY.

Installation

Spacing Awnbrella Arms

Awnbrella Arms should be evenly spaced with no more than 54" between each. To find the proper spacing, measure the width of the awning fabric and divide the measurement by the recommended number of arms + 1.

Keep in mind that two arms make three sections, three arms make four sections, etc. It is recommended the canvas not be divided into sections exceeding 54". See example to the right and installations instructions on the next page.

awning width	number of Awnbrella arms
10' - 14'	2 arms
14' - 18'	3 arms
18' - 22'	4 arms
22' - 27'	5 arms

Example: Awning canopy width measures 14' (168")
 Recommended number of arms is 3 + 1 = 4
 $168" \div 4 = 42"$
 Space between each arm should be 42" wide

NOTE: Calculations will not always work out to be a complete whole number. The outer most holes drilled into the roller tube for the Awnbrella arms should not be placed any closer than 42" from the end of the tube to protect the roller tube spring.



Drilling the Roller Tube

1. With the awning fully extended, measure the distance calculated using the chart on the previous page from the edge of the awning fabric. **(Fig.1)**. Mark the roller tube at that predetermined distance and 1/2" down from the fabric seam. **(Fig.2)**. This is where the first Awnbrella arm will later be installed. Continue to make all measurements and markings along the roller tube for placement of the remaining arms. Verify the correct spacing before proceeding to the next step.

2. Using a metal punch, indent the marks just made to create a dimple to center the drill bit and keep it from wandering **(Fig.3)**.

3. Drill through the roller tube using a 7/16" bit **(Fig.4)**.

4. Use a 1/4" round file to remove any sharp burrs around the edges of the holes **(Fig.5)**.

NOTE: It is important that all the holes drilled on the roller tube are aligned at 1/2" down from the fabric retaining seam.

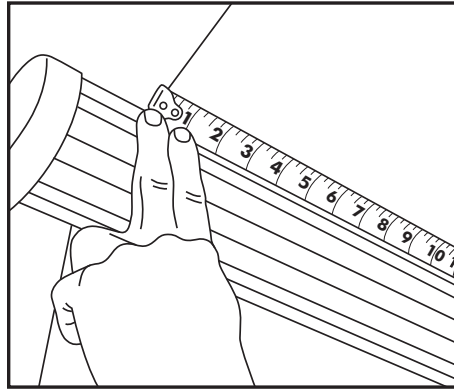


Fig.1

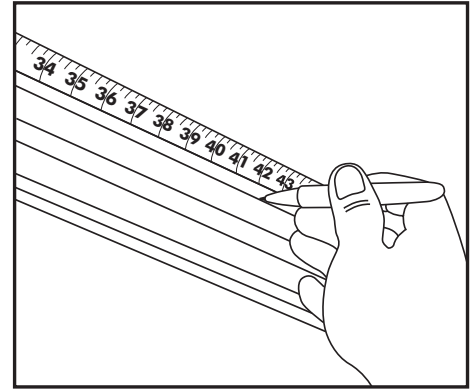


Fig.2

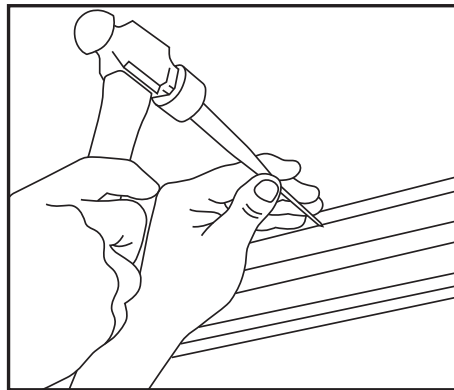


Fig.3

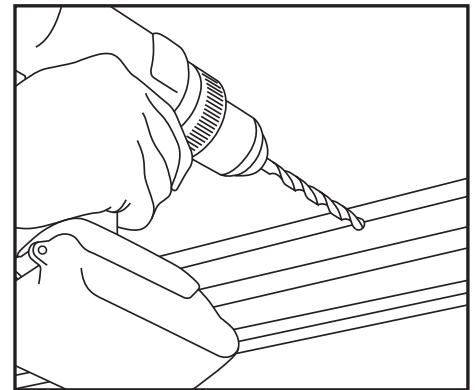


Fig.4

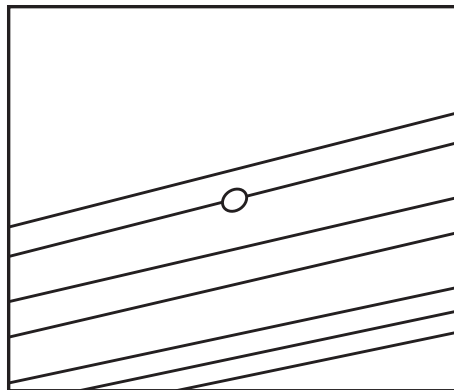


Fig.5



Mounting Hanger Blocks

1. The hanger blocks **MUST** be mounted on the exterior wall of the RV directly beneath the awning hanger rail and opposite the corresponding holes previously drilled in the roller tube (**Fig.6**). Measure and mark the position on the RV wall for all Awnbrella arms.

2. Position the hanger blocks using the marks as a center guide with the wide side down and a 1/8" gap between the hanger block and awning hanger rail. Use a Phillips screwdriver or drill bit to secure the hanger blocks with 1-1/4" self-tapping screws. (**Fig.7**).

NOTE: Be sure there is backing behind the skin of the RV where the hangers are mounted to prevent pressure damage to the wall. Do not overtighten the screws.

Inserting Awnbrella Arms

1. Thread the plastic tightening knobs into the holes on the Awnbrella arms. Extend one Awnbrella arm and measure from the pointed tip end so that the knob is approximately 8 inches from the end of the C-channel. Tighten the knob (**Fig.8**).

2. Line up the remaining Awnbrella arms and adjust them as done in step 1. (**Fig.9**). Adjusting the arms now will make it easier to properly insert them later.

3. Slide the pointed tip of the arm into the hole in the roller tube (**Fig.10**).

NOTE: If the tip doesn't slide fully into the roller tube, use a round 1/4" file to enlarge the opening until it does.

4. Loosen the knob on the rubber tip end of the arm and push the Awnbrella arm up against the fabric. Slip the rubber tip end of the arm into the hanger block mounted on the RV (**Fig.11**). The harder the Awnbrella arm is pushed against the fabric, the more tension will be applied to the awning.

5. Tighten the knob so the arm will remain rigidly in place. Be sure Awnbrella arms are secure so they don't fall down.

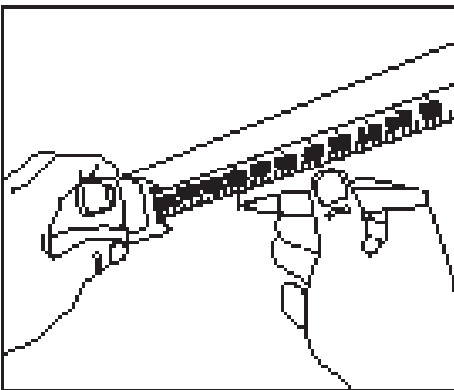


Fig.6

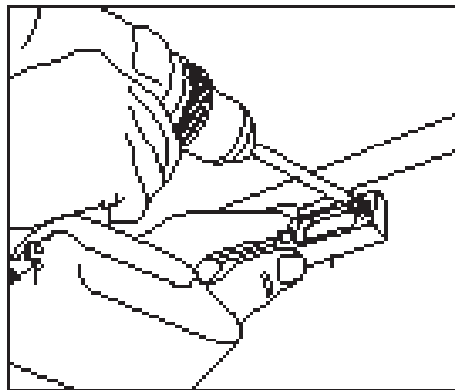


Fig.7

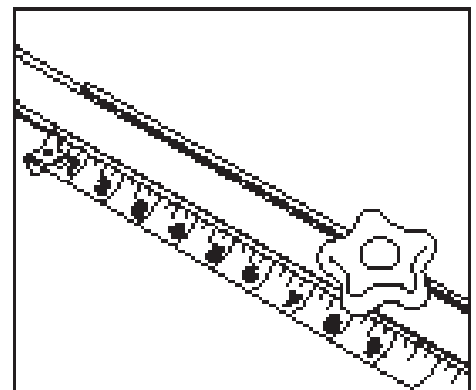


Fig.8

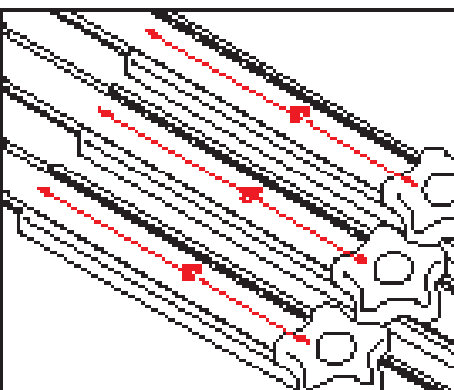


Fig.9

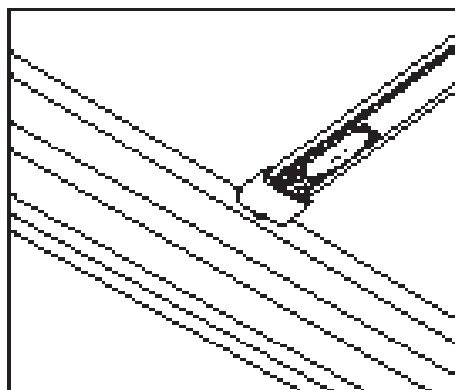


Fig.10

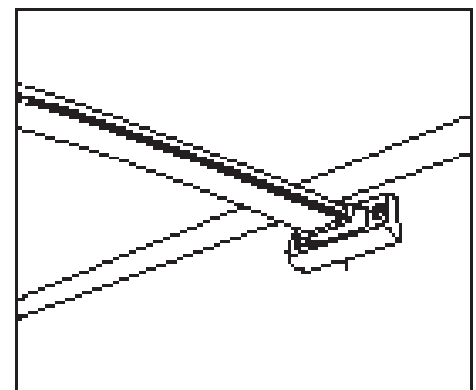


Fig.11



Velcro® Stabilizers

Velcro stabilizers are included as a safety precaution to secure the Awnbrella and prevent the arms from shifting or falling. Adhere a black patch of Velcro to the back of the Awnbrella arm and a white patch to the canopy.

1. Take the Awnbrella arms down from the coach. On the top side of one Awnbrella arm (side without adjustment knobs), wipe rubbing alcohol to remove any grease or oils from handling on the center of the arm where the Velcro patch will be installed. Measure 28-1/2" from either end of the channel and mark with a pencil (**Fig.12**). This is where to install a black patch of Velcro.

2. Center the black Velcro patch over the mark, peel off the protective backing and press firmly into place (**Fig.13**).

3. Line up all the arms and apply all the patches following steps 1 and 2.

4. Reposition the Awnbrella arm back into the hanger blocks and roller tube, then use alcohol to clean the awning fabric directly opposite the black Velcro patch on the back of the Awnbrella arm. Attach a white Velcro patch to the black Velcro patch on the Awnbrella arm (**Fig.14**).

5. Remove the clear protective film from the back of the Velcro (**Fig.15**). Carefully place the Awnbrella arm back into position, pressing it firmly against the awning fabric.

6. Repeat steps 2 and 4 for each Awnbrella arm.

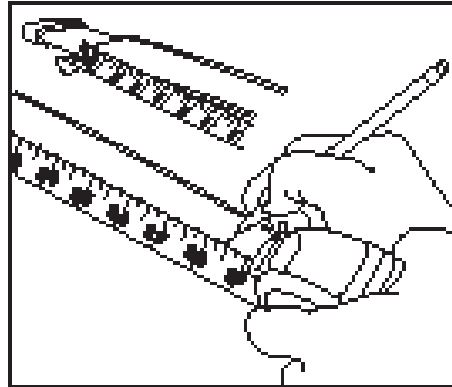


Fig.12

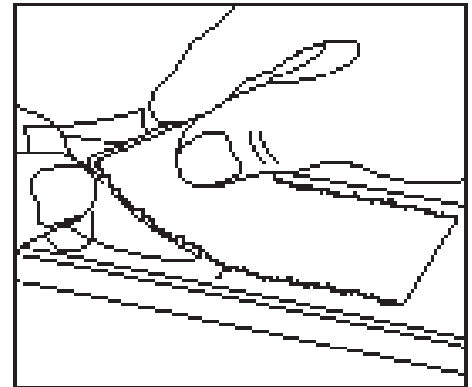


Fig.13

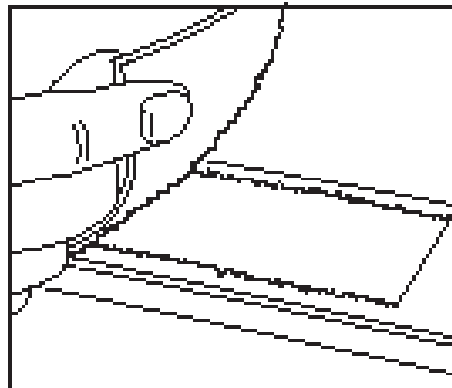


Fig.14

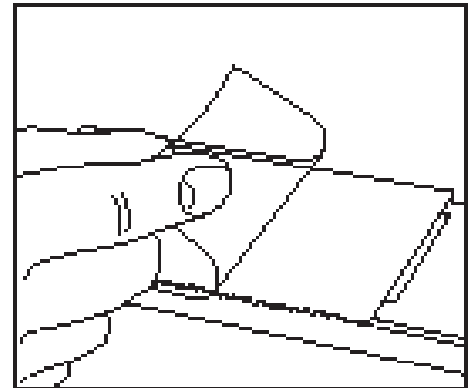


Fig.15

NOTE: Leave the Awnbrella arms in place for 48 hours to allow the adhesive to set. Ideally, Velcro patches should be installed when the temperature is above 70° for the best bond. The adhesive may not bond tightly to some woven acrylic fabrics. Use vinyl contact adhesive available at most hardware stores for a better bond.



Proper Awning Extention for Awnbrella Arms

To use the awning in the carport position, put it in this position before installing the arms and check to make sure the holes in the roller bar are in an upward position (Fig.16).

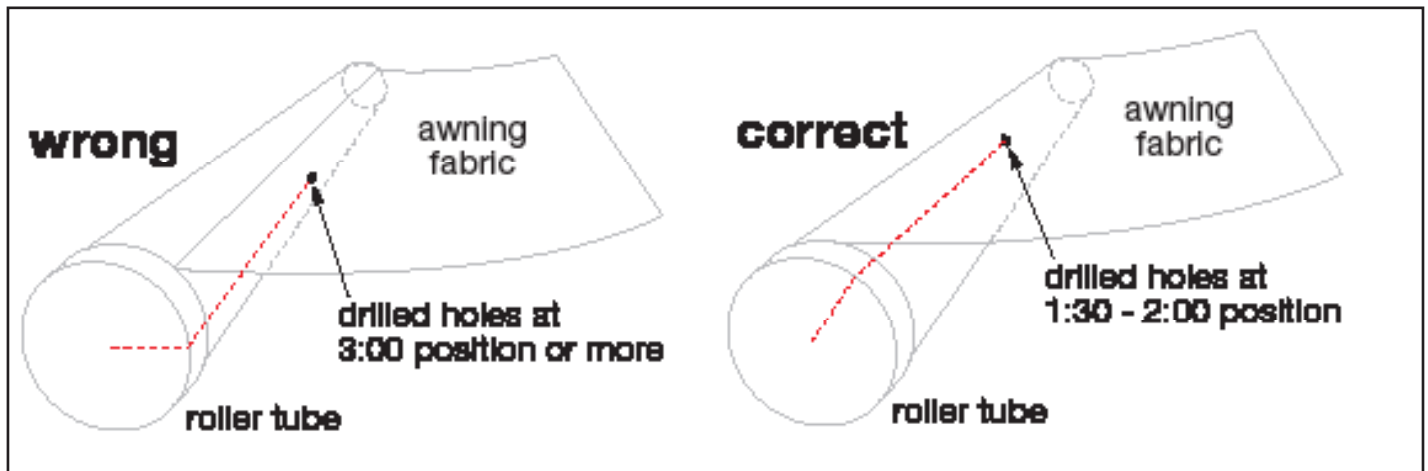


Fig.16

Special Notes:

- For proper water drainage, the roller tube **MUST** be at least 6" lower than the hanger rail on the RV. Check drainage with a water hose to be sure.
- Follow all care instructions recommended by the awning manufacturer.
- The awning may stretch slightly where it meets Awnbrella arms. This should present no problem in performance. Canvas should be in good condition when using the Awnbrella or it could rip.
- Lippert Components is not responsible for damage or injury due to improper use or installation.

Never:

- Leave the awning out in strong winds. Lippert Components makes no claims regarding the performance of this product in windy conditions.
- Drill into the roller tube closer than 42" from each end to avoid striking the awning roller spring.
- Extend or retract the awning while the Awnbrella arms are installed.
- Adjust the pitch of the awning side arms while the Awnbrella arms are installed.

