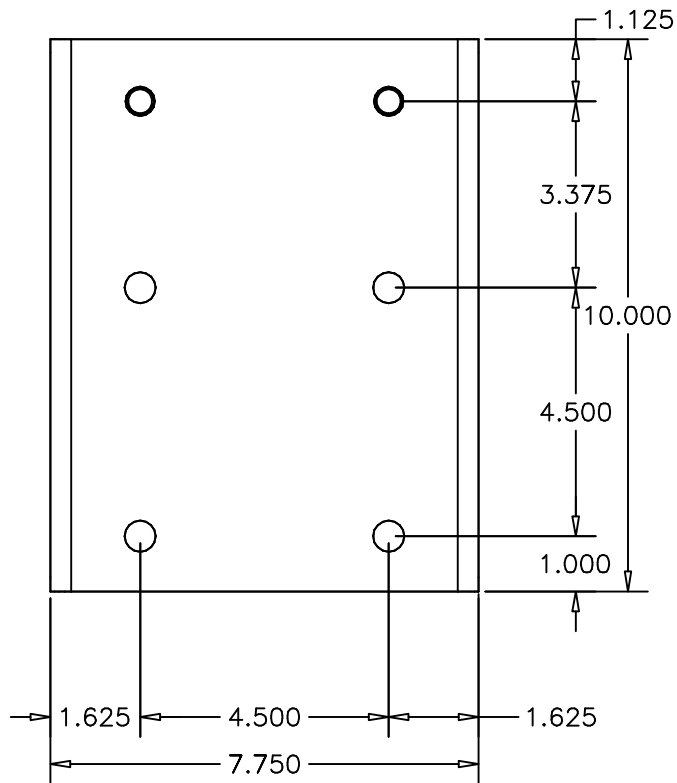
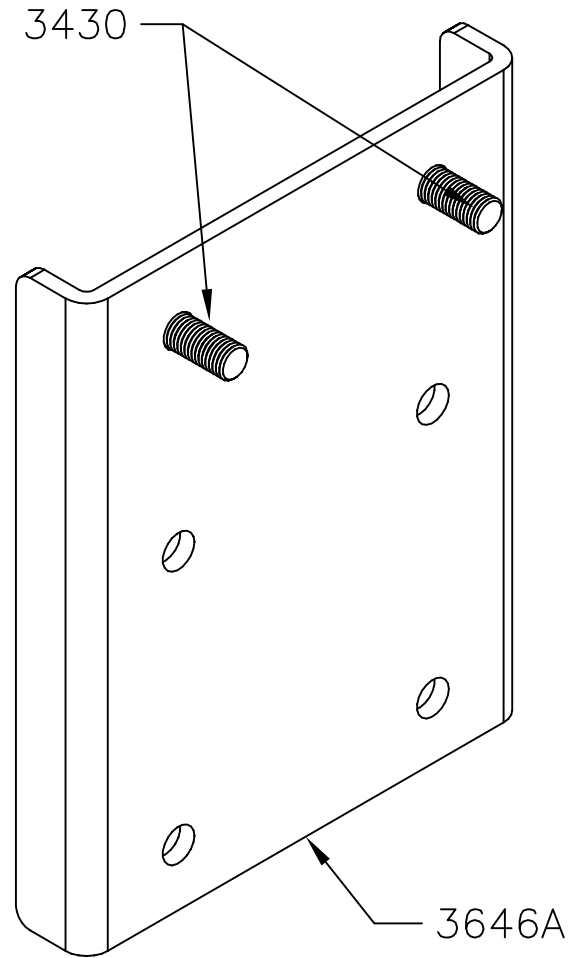


Note: Weld two 3430 bolts to the bracket in top two holes
Finish: Black Paint



Equalizer

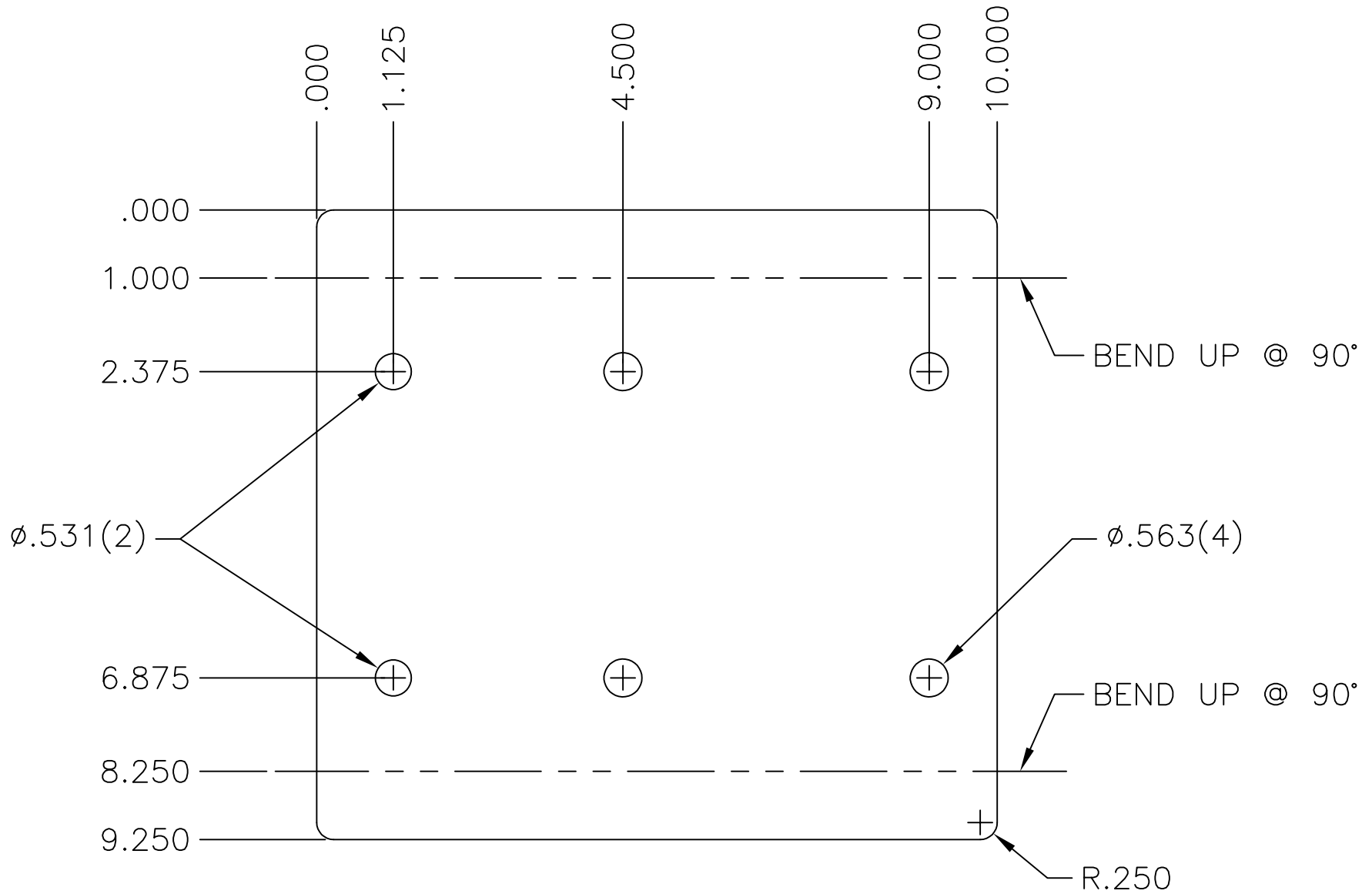
55169 COUNTY ROAD 3
ELKHART, IN 46515

#	REVISIONS	BY:	DATE:

UNLESS OTHERWISE SPECIFIED:
TOLERANCES:
.XXX ± 0.010
.XX ± 0.010
.X ± 0.030
ANG. ± 1/2"
REMOVE ALL BURRS AND SHARP EDGES .015 MAX

TITLE			USED ON:	
FRAME MOUNT DETAIL			CHEVY CHASSIS	
SIZE	SCALE	MATERIAL		
A	1: 1 1/4"	HOT ROLLED STEEL		
DRW BY:	DATE:	PART NAME:		
SJ	5/31/18	PLATE-LEG BOLT ADAPTER-CHEVY FRONT		
APP'D BY:	DATE:	PAGE:	DWG NO.:	REV:
-	-	1 OF 2	3646	-

NOTICE - This drawing, including principles of design, is the property of Days Corporation, Elkhart, Indiana, with the agreement that it is not to be reproduced, copied, or loaned in any manner that may constitute a detriment directly or indirectly to Days Corporation. Acceptance of this will be construed as an agreement of the above.



3646A
 MATERIAL - 1/4"

Equalizer 55169 COUNTY ROAD 3 ELKHART, IN 46515	#	REVISIONS	BY:	DATE:	UNLESS OTHERWISE SPECIFIED: TOLERANCES: .XXX ± 0.010 .XX ± 0.010 .X ± 0.030 ANG. ± 1/2" REMOVE ALL BURRS AND SHARP EDGES .015 MAX	TITLE	USED ON:		
						FRAME MOUNT DETAIL	CHEVY CHASSIS		
NOTICE - This drawing, including principles of design, is the property of Days Corporation, Elkhart, Indiana, with the agreement that it is not to be reproduced, copied, or loaned in any manner that may constitute a detriment directly or indirectly to Days Corporation. Acceptance of this will be construed as an agreement of the above.					SIZE	SCALE	MATERIAL		
					A	1: 1 1/4"	HOT ROLLED STEEL		
					DRW BY:	DATE:	PART NAME:		
					SJ	5/31/18	PLATE-LEG BOLT ADAPTER-CHEVY FRONT		
					APP'D BY:	DATE:	PAGE:	DWG NO.:	REV:
					-	-	2 OF 2	3646	-