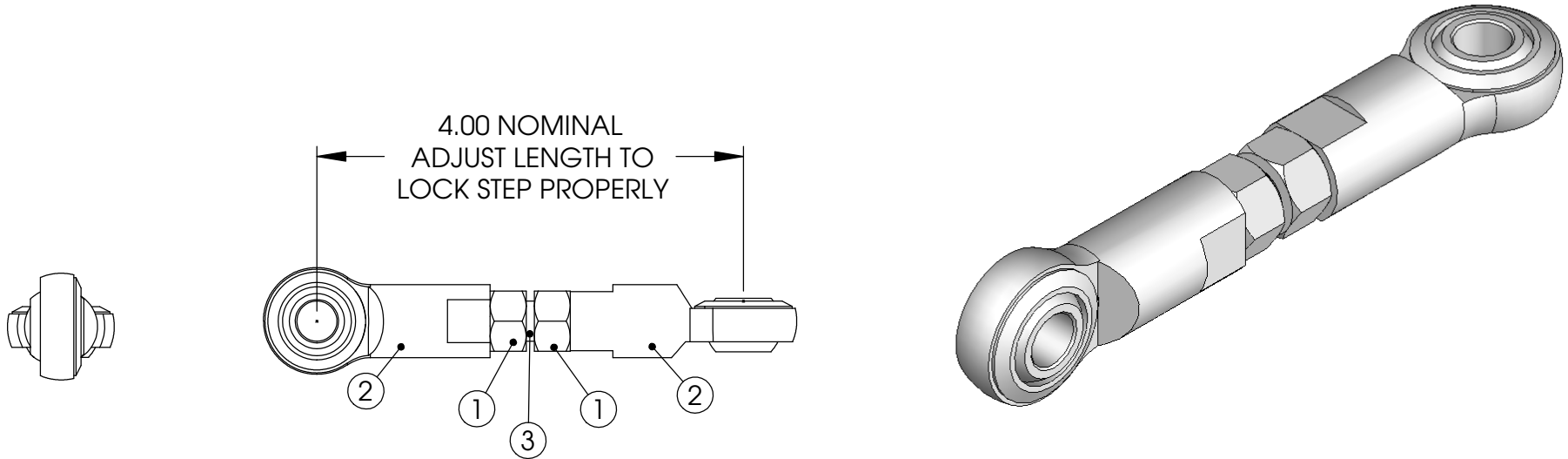


REVISION HISTORY					
REV	DATE	DESCRIPTION	ECN	DWR	APVD
A	1/8/2015	NEW RELEASE	ECN-SP-NP-20503	NRL	
B	3/23/2015	REPLACED 135063 W/ 375362	ECN-SP-DE-14444	MTH	MS
C	3/31/2015	REPLACED 369253 W/ 358883	ECN-SP-DE-14557	MTH	MS



ITEM	PART NO.	CONFIG	DESCRIPTION	NAME	GA	QTY.
1	375362	Default	NUT - 3/8 - 24 HEX ZN GR 5 ST (1206270)	FASTEN		2
2	358883	Default	ROD END, SPHERICAL FEMALE STUDDED 3/8-24 ELECTRIC STEPS	FASTENER		2
3	369495	Default	ROLLER PIN, 2.250 X .062 (3312300)	ROD	.375	1

TITLE: LINK ASSEMBLY 24/25 ELECTRIC STEPS (3380050)

UNLESS OTHERWISE SPECIFIED
 1. ALL DIMENSIONS ARE IN INCHES BREAK SHARP EDGES & DEBURR
 2. MATERIAL & FINISH TO BE AS NOTED OR SUBSTITUTED WITH AN APPROVED AND TESTED EQUIVALENT

TOLERANCES (EXCEPT AS NOTED)
 DECIMAL .X ±.1
 .XX ±.010
 .XXX ±.005



THE INFORMATION CONTAINED IN THIS DRAWING IS THE SOLE PROPERTY OF LIPPERT COMPONENTS, INC. ANY REPRODUCTION IN PART OR AS A WHOLE WITHOUT THE WRITTEN PERMISSION OF LIPPERT COMPONENTS, INC. IS PROHIBITED.

REFERENCE NUMBER:	PG #3380050
MATERIAL TYPE:	
SURFACE QUALITY:	
DECIMAL:	
FNSH GOOD WEIGHT:	0.379
BLANK WEIGHT:	
BLANK SIZE:	X

FILLETS R.015 FINISH: 125 ✓
 THIRD ANGLE PROJECTION

FRACTIONAL ±1/16
 ANGULAR ±1°

DWG. NO. 369488	SIZE A	DATE: 01/ 08/ 2015	REV. C
SCALE: 1:4	DRAWN BY	CHECKED BY	APPROVED BY
	SHEET 1	OF 1	