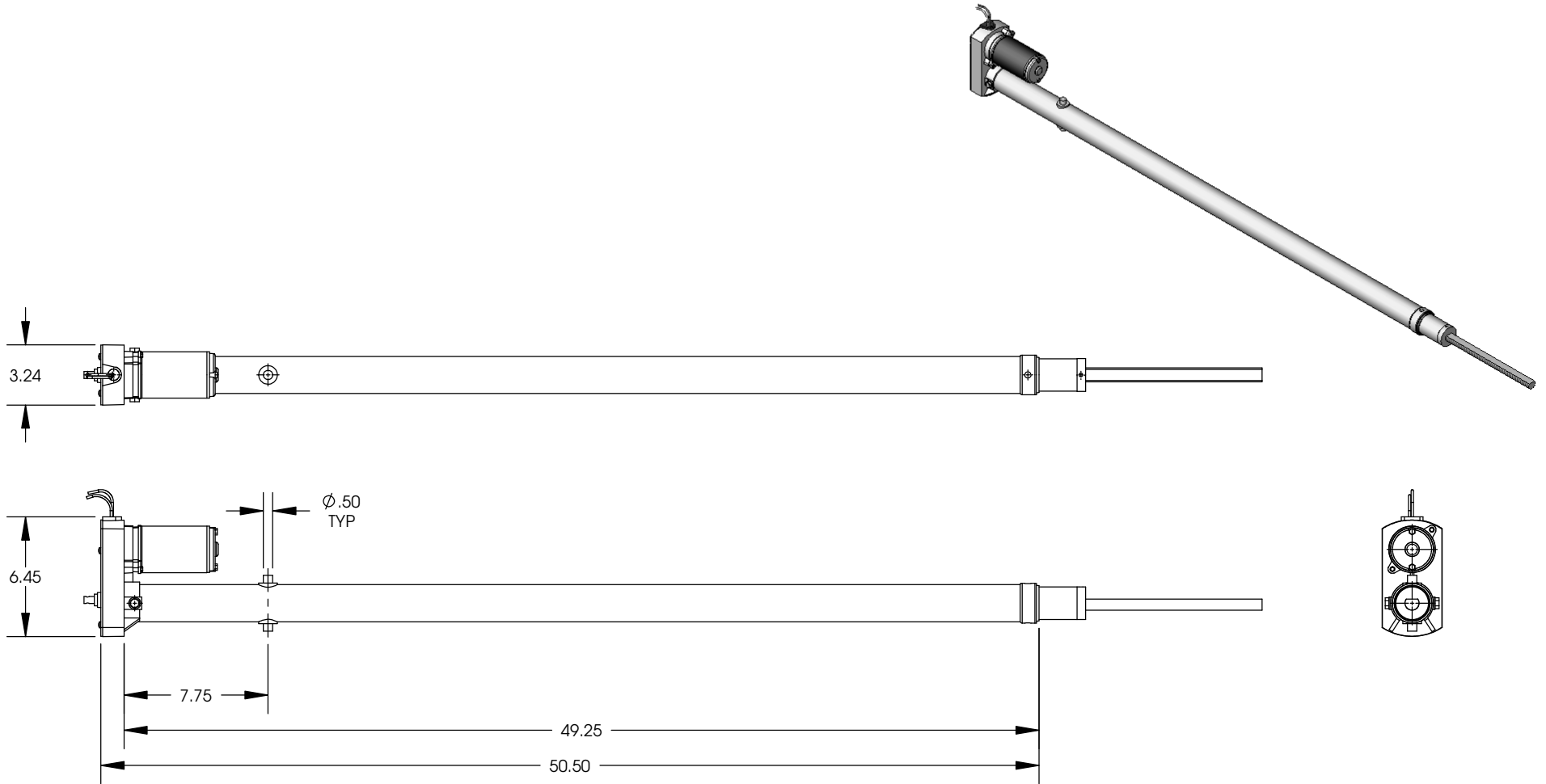



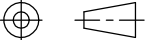
NOTES:

1. ALL DIMENSIONS ARE FOR REFERENCE ONLY

REVISION HISTORY

REV	DATE	DESCRIPTION	DWR	APVD
A	8/22/2001		JWM	
B	11/21/2012	UPDATE PRINT	DAL	JM



TITLE:		40" VENTURE ACTUATOR W/ 18:1 MOTOR			
<small>UNLESS OTHERWISE SPECIFIED</small> 1. ALL DIMENSIONS ARE IN INCHES BREAK SHARP EDGES & DEBURR 2. MATERIAL & FINISH TO BE AS NOTED OR SUBSTITUTED WITH AN APPROVED AND TESTED EQUIVALENT		TOLERANCES (EXCEPT AS NOTED) DECIMAL .X ±.1 .XX ±.03 .XXX ±.005		LIPPERT COMPONENTS  2703 COLLEGE AVE. GOSHEN, IN 46528	
FILLETS R.015 FINISH 125 ✓ THIRD ANGLE PROJECTION 		FRACTIONAL ±1/16 ANGULAR ±1°			
THE INFORMATION CONTAINED IN THIS DRAWING IS THE SOLE PROPERTY OF LIPPERT COMPONENTS, INC. ANY REPRODUCTION IN PART OR AS A WHOLE WITHOUT THE WRITTEN PERMISSION OF LIPPERT COMPONENTS, INC. IS PROHIBITED.		DWG. NO. <h2 style="text-align: center;">119129</h2>		DATE: <h2 style="text-align: center;">08/17/2006</h2>	
		SIZE <h2 style="text-align: center;">A</h2>		REV. <h2 style="text-align: center;">B</h2>	
		SCALE: <h2 style="text-align: center;">1:8</h2>			
ENG. DAL		DWN. DAL		SHEET 1 OF 1	