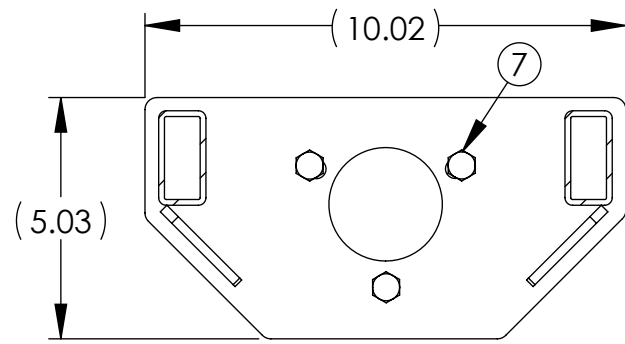
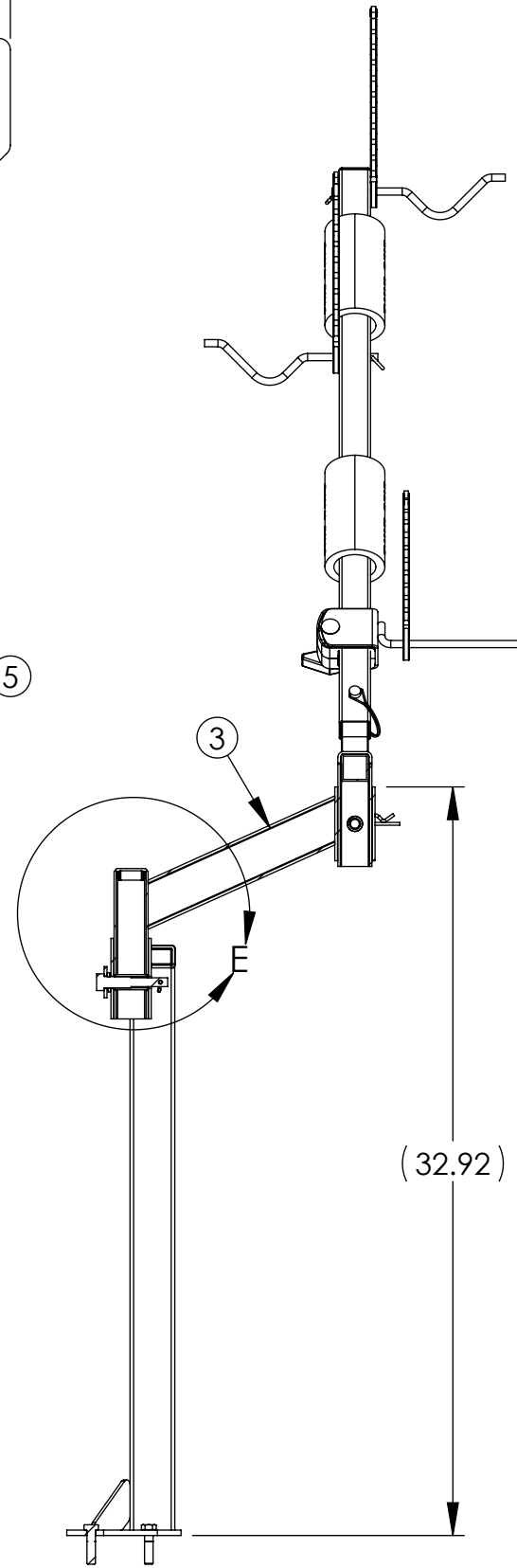
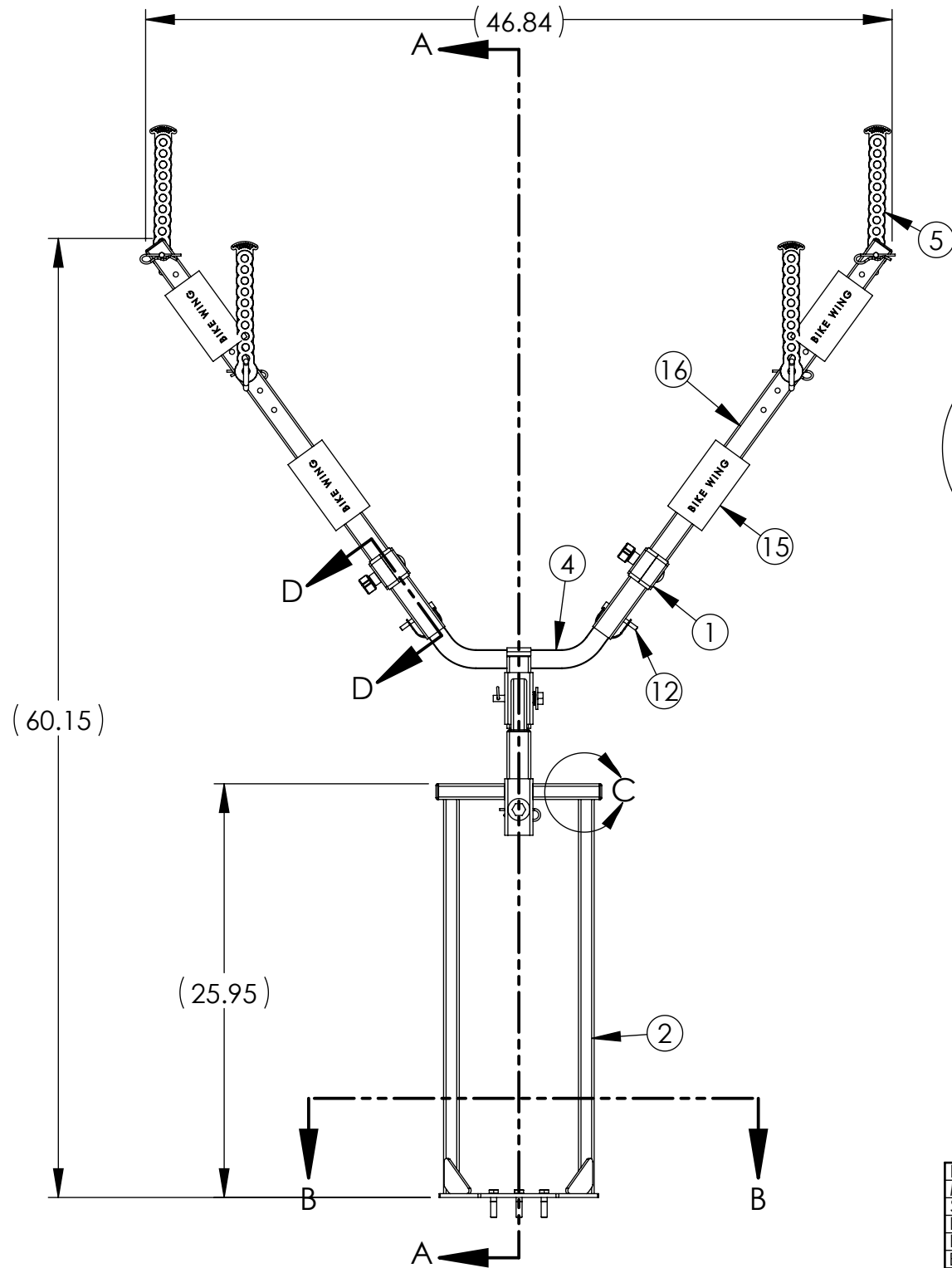


NOTES:

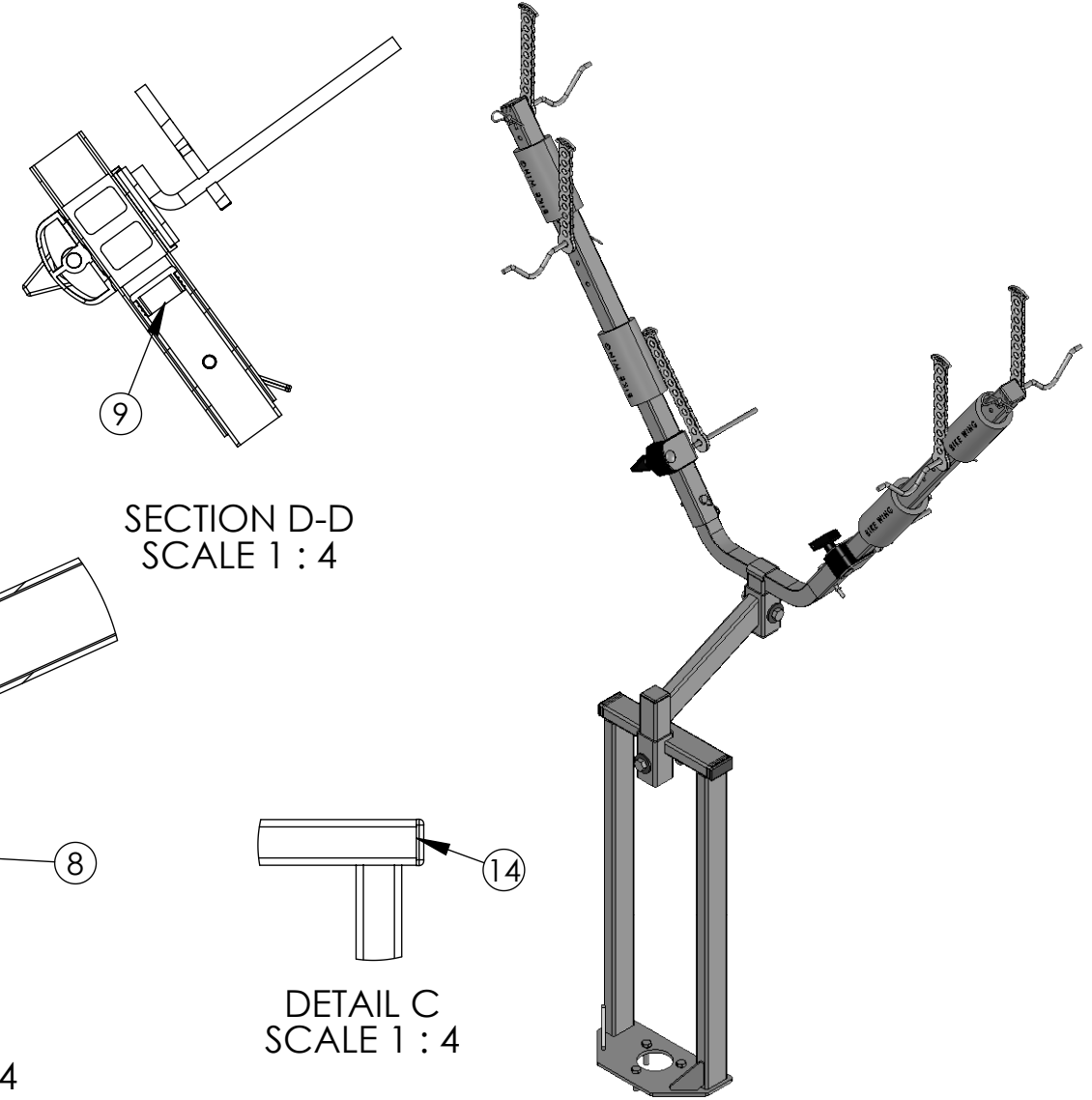
1. PURCHASED ASSEMBLY



SECTION B-B
SCALE 1 : 4



SECTION A-A
SCALE 1 : 8



SECTION D-D
SCALE 1 : 4

DETAIL E
SCALE 1 : 4

DETAIL C
SCALE 1 : 4

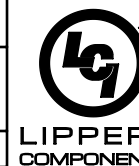
REVISION HISTORY					
REV	DATE	DESCRIPTION	CA	DWR	APVD
A	3/7/2016	RELEASED TO PRODUCTION	CA-0010732	BRJ	CK
B	5/4/2016	DIM 19.04 WAS 21.99 AND DIM 60.00 WAS 60.45 ADDED NOTE 1	CA-0019787	BRJ	CK
C	11/28/2016	CONVERTED FROM PART TO ASSEMBLY	CA-0057960	MTH	JMM
D	2/18/2019	UPDATED PRINT LAYOUT	CA-00004212	ACB	TC

ITEM	PART NO.	CONFIG	DESCRIPTION	NAME	GA	QTY.
1	433819	Default	SPACEOPT JACK IT RUBBER STRAP ASSY	SA		2
2	433824	Default	SA WLDMT BOTTOM BRKT JACK IT 26.25 X 10.06	SA		1
3	433825	Default	CANTILEVER SUPPORT ASSEMBLY, JACK IT	SA		1
4	433827	Default	SPACEOPT JACK IT ROTATING TUBE WLDMT 15.39 X 9.16	SA		1
5	433828	Default	V-RACK RUBBER STRAP SUB ASSEMBLY, JACK IT	SA		4
6	118138	Default	WASHER - 1/2 1.375 OD .125 THK FLW ZN ST	FASTEN		2
7	249358	Default	BOLT - 3/8 - 16 X 1-1/2; HEX CAP SCREW GR5 ZINC	FASTEN		3
8	257163	Default	COTTER PIN - 1/8" X 2 9/16"	FASTEN		2
9	433830	Default	SPECIALTY TUBE CAP 1.00 X 1.00	FASTEN		2
10	433831	Default	1.378 X 1.378 X .512 TUBE CAP, JACK IT	FASTEN		3
11	433832	Default	BOLT - 1/2-13 X 2 3/4 CB GR5 ZN PTNP ST	FASTEN		2
12	433835	Default	PIN - 1/4 X 2 3/8 USEABLE, SNAP RETAINER	FASTEN		2
13	162838	Default	WASHER - 1/2" X 0.86" X 0.125", LOCK, ZINC	FASTENER		2
14	203122	Default	TUBE CAP; 1 X 2, BLACK	PURCH		2
15	433834	Default	FOAM SLEEVE, 5.118 X 2.625, JACK IT	SMALL PART		4
16	433813	Default	TUBE 1.375 X 1.375 X .060 X L30.000	TUBE		16

TITLE: SPACEOPT JACK IT ASSY 60.15 X 46.84

REFERENCE NUMBER:	
MATERIAL TYPE:	
SURFACE QUALITY:	
DECIMAL:	
FINISH GOOD WEIGHT:	29.379
BLANK WEIGHT:	
BLANK SIZE:	

UNLESS OTHERWISE SPECIFIED 1. ALL DIMENSIONS ARE IN INCHES 2. BREAK SHARP EDGES & DEBURR 3. MATERIAL & FINISH TO BE AS NOTED OR SUBSTITUTED WITH AN APPROVED AND TESTED EQUIVALENT		TOLERANCES (EXCEPT AS NOTED)
FILLET R.015	FINISH ✓	DECIMAL .X ±.1 .XX ±.03 .XXX ±.015
THIRD ANGLE PROJECTION		FRACTIONAL ±1/16
		ANGULAR ±1°



THE INFORMATION CONTAINED IN THIS DRAWING IS THE SOLE PROPERTY OF LIPPERT COMPONENTS, INC. ANY REPRODUCTION IN PART OR AS A WHOLE WITHOUT THE WRITTEN PERMISSION OF LIPPERT COMPONENTS, INC. IS PROHIBITED.

DWG. NO. 406874	SIZE B	DATE: 11/28/2016	REV. D
DRAWN BY BJR	CHECKED BY BJR	APPROVED BY	SHEET 1 OF 1