

## Flat and Curved Glass Electric Fireplace Operating and Installation Instructions



This manual is for use with

**Furrion FF26S15A-BL  
Flat Glass Electric Fireplace**

**Furrion FF26C15A-BL  
Curved Glass Electric Fireplace**

---

# Welcome

**Furrion FF26S15A-BL Flat Glass Electric Fireplace**

**Furrion FF26C15A-BL Curved Glass Electric Fireplace**

Thank you for purchasing a Furrion FF26S15A-BL Flat Glass Electric Fireplace/  
Furrion FF26C15A-BL Curved Glass Electric Fireplace.

SUITABLE FOR DOMESTIC HOUSEHOLD USE, RV's & MODULAR HOMES

Before installation and use, please read all instructions carefully. This will ensure safe use and reduce the risk of injury .

---

# Contents

<b>IMPORTANT SAFETY INSTRUCTIONS .....</b>	<b>4-6</b>
<b>Installation .....</b>	<b>7-8</b>
<b>Operation .....</b>	<b>9-10</b>
<b>Troubleshooting .....</b>	<b>11-12</b>
<b>Care and maintenance .....</b>	<b>13</b>
<b>Warranty .....</b>	<b>14-15</b>

---

# IMPORTANT SAFETY INSTRUCTION

**PLEASE READ ALL OF THE INFORMATION IN THIS OPERATING MANUAL, INCLUDING ALL SAFETY, OPERATING, AND MAINTENANCE INFORMATION. TO AVOID THE POTENTIAL RISK OF FIRE, ELECTRIC SHOCK, OR INJURY TO PERSONS, USERS SHOULD FOLLOW THE DIRECTIONS AND WARNINGS IN THIS MANUAL.**

1. Read all instructions before using this fireplace.
2. Do not use this fireplace outdoors.
3. This fireplace is not intended for use in bathrooms, laundry areas or similar indoor locations. Never position the fireplace where it may fall into a bathtub or other water container.
4. Do not run the power cord under carpeting. Do not cover the power cord with throw rugs, runners, or the like. Arrange the power cord away from high traffic areas or where it may be tripped over.
5. To disconnect the fireplace, turn controls to off, then remove the plug from the outlet.
6. Connect to properly grounded outlets only. Always plug fireplaces directly into a wall outlet/receptacle. Never use with an extension cord or reloadable power tap (outlet/power strip).
7. To prevent a possible fire, do not block the fireplace's air intakes or the exhaust in any manner. Do not operate the fireplace on soft surfaces such as a bed where the openings may become blocked.
8. There is a thermostat protective device inside the fireplace. When the inner temperature exceeds a predefined level or abnormal heating occurs, the thermostat protective device cuts off the power supply to avoid damage to the fireplace or risk of fire.

9. Use this fireplace only as described in this manual. Any other use is not recommended by the manufacturer and may cause fire, electrical shock, or injury.

## **SAVE THESE INSTRUCTIONS**



**WARNING:** This fireplace is hot when in use. To avoid burns, do not let bare skin touch hot surfaces. If provided, use handles when moving this fireplace. Keep combustible material, such as furniture, pillows, bedding, paper, clothes and curtains at least 3 ft. (0.9 meters) from the front of the fireplace and keep them away from the sides and rear.



**WARNING:** Extreme caution is necessary when any fireplace is used by or near children or invalids and whenever the fireplace is left operating and unattended.



**WARNING:** Do not operate any fireplace with a damaged cord or plug or after the fireplace malfunctions or has been dropped or damaged in any manner. Return the fireplace to an authorized service facility for examination, electrical or mechanical adjustment, or repair.

# ⚠️ IMPORTANT SAFETY INSTRUCTIONS

**⚠️ WARNING:** Do not insert or allow foreign objects into the ventilation or exhaust openings as this may cause an electric shock, fire, or damage the fireplace.

**⚠️ WARNING:** The fireplace contains hot and potentially flammable components. Do not use in areas where gasoline, paint, or other flammable liquids are used or stored.

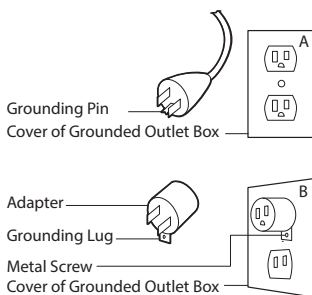
**⚠️ CAUTION:** While in use, the top center of the fireplace can become hot to the touch and may cause serious injury or burns. Always supervise small children around the fireplace. Do not place any cloth, decorations, or otherwise obstruct the fireplace outlet as this may cause a fire and serious injury may result.

## GROUNDING INSTRUCTIONS

**⚠️ DANGER:** Improper connection of the equipment-grounding conductor can result in a risk of electric shock. Check with a qualified electrician if you are in doubt as to whether the product is properly grounded. Do not modify the plug provided with the product. If it will not fit the outlet, have a proper outlet installed by a qualified electrician.

This product must be grounded. If it should malfunction or breakdown, proper grounding provides a path of least resistance for electric current to flow and reduces the risk of electric shock. This product is equipped with a cord having an equipment-grounding conductor and a grounding plug. The plug must be inserted into an appropriate outlet that is properly installed and grounded in accordance with all local codes and ordinances.

This fireplace is for use on 120 volt circuits and has a grounded plug. An adapter is available for connecting three-blade grounding type plugs to two-slot receptacles. The green grounding lug extending from the adapter must be connected to a permanent ground such as a properly grounded outlet box. The adapter should not be used if a three-slot grounded receptacle is available.



---

# IMPORTANT SAFETY INSTRUCTIONS

## FCC STATEMENT

This equipment has been tested and found to comply with the limits for a Class B digital device, pursuant to Part 15 of the FCC Rules.

These limits are designed to provide reasonable protection against harmful interference in a residential installation. This equipment generates, uses, and can radiate radio frequency energy and, if not installed and used in accordance with the instructions, may cause harmful interference to radio communications. However, there is no guarantee that interference will not occur in a particular installation.

This device complies with Part 15 of the FCC Rules. Operation is subject to the following two conditions:

- (1) This device may not cause harmful interference, and
- (2) This device must accept any interference received, including interference that may cause undesired operation.

Modifications not approved by the party responsible for compliance could void user's authority to operate the equipment.

This Class B digital apparatus complies with Canadian ICES-006.

**IMPORTANT:** Failure to install the built-in electric fireplace as instructed below may result in damage to the equipment and or may expose the user to the risk of fire, serious injury, illness or death.

## First Time Use

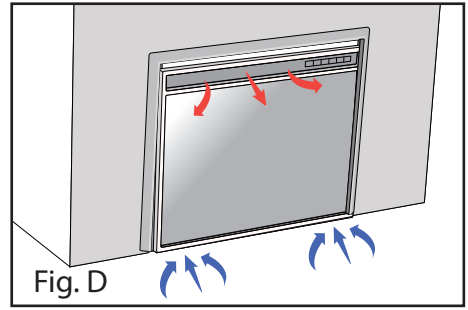
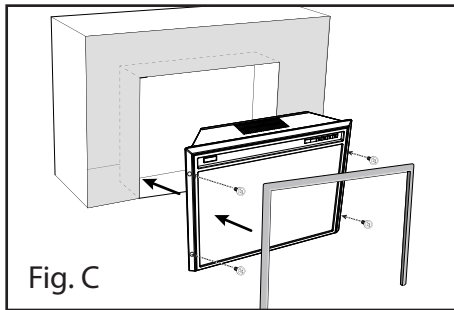
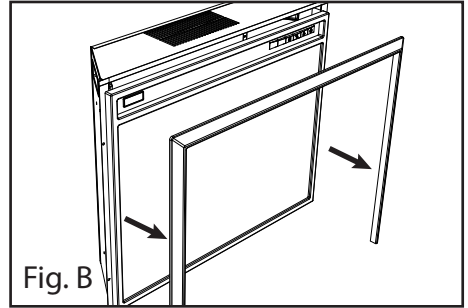
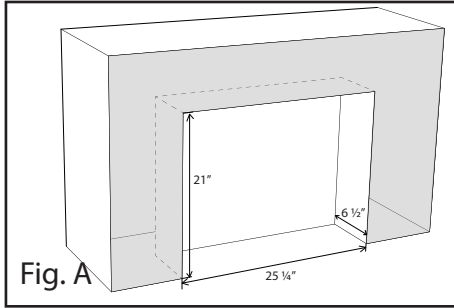
Remove the marketing sticker from the front glass.



## Installation

1. Select a suitable location that is not susceptible to moisture.
2. Mark and cut an opening in the cabinet according to the dimensions outlined in the illustration below. (Fig. A)
3. Ensure the cabinet area is free of dust and debris, remove fireplace carefully from carton and discard the plastic and foam packaging.
4. The trim kit for the unit is attached by magnet, pull to remove. (Fig. B)
5. Install the fireplace into the cut out area and secure with 4 mounting screws supplied. (Fig. C) For your safety, it is recommended to apply the top 2 screws first.
6. Re-attach the trim kit to the fireplace.
7. Do not block the ventilation areas. (Fig. D)

# Installation



**CAUTION:** When installing this fireplace in residential applications, ensure to leave 3 feet minimum clearance from any object.

**WARNING:** When installing this fireplace in RV applications ensure hot air will not directly blow or be close to soft furnishings or combustible materials during operation. For fireplace installation in RV slide out walls, ensure to connect the slide out safety cut off wires to the slide out 12V DC activation system.

When fireplace is installed in a RV slide out wall, after fireplace has been switched off allow 30 minutes for the appliance to cool before stowing the slide out walls for transit. Do not attempt to use the fireplace when slide out is in the stowed position.

**NOTE:** For your safety, this fireplace is fitted with a proximity sensor and thermal cut off. When fireplace is in operations and objects are placed within 6 inches or less the fireplace will automatically shut off and a red LED will flash. Remove the object and cycle the fireplace power switch to reset.

**Do not install the fireplace insert directly on carpet or similar surfaces which may restrict airflow.**

**CAUTION:** If installing the fireplace in a carpeted area, place a one-piece solid, flat surface under the fireplace. Ensure that all feet sit securely on this surface.

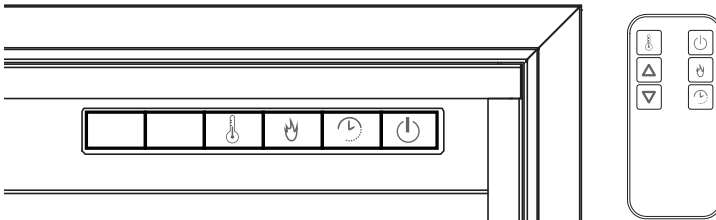
**CAUTION:** Clearance for air circulation is located beneath the fireplace provided by 4 feet on the underside. Ensure this gap is free from obstruction.



## Product Specifications

Rating voltage	120Vac 60Hz
AMPS	12.5A
WATTS	1500W

## Control Panel











**Warning:** This electric fireplace must be properly installed before it is used.



**Note:** The element retains heat after shut down. There is a built-in cool down period of 30 seconds before the blower shuts off completely.

**Note:** To operate correctly, the remote control must be pointed toward the glass window view.

# Operation

Function	Icon	Description
POWER		Turn on or turn off the fireplace.
Flame		Select one of four brightness levels.
Fireplace		<ol style="list-style-type: none"> <li>1. Press once to activate the low heat setting.</li> <li>2. Press the button a second time to activate the high heat setting.</li> <li>3. Press the button a third time to turn off the fireplace.</li> <li>4. After turning on the fireplace, press this button for 5 seconds to select the desired temperature setting.</li> </ol> Note: pressing the power button for 5 seconds will toggle between °C and °F.
Timer		Pressing the button will cycle through the timer setting: 30 minutes to 5 hours.
Temperature down		Decrease the heat output (remote control only).
Temperature up		Increase the heat input (remote control only).
Slide Out (safety cut off)		automatically shuts off fireplace operation when power is provide to the slide out 12V DC system.
Proximity Sensor		Detect the presence of nearby objects with 3.94 - 5.91 inch. The firepalce will cut off the heating fuction automatically.

# Troubleshooting

Problem	Root cause	Corrective action
Display shows "EE" 	The thermostat sensor is broken or disconnected.	Unplug the fireplace and remove the back panel. Check that the thermostat is plugged into the main circuit board. If this does not solve the problem, contact customer service for a replacement thermostat sensor.
Display shows "88" 	Manual reset overheat protection has triggered.	Inspect the fireplace and check that the air inlets and outlets are not blocked as this may cause overheating.
Fireplace does not blow warm air.	Cool down cycle	Normal operation will continue for 30 seconds before shutting down.
	Thermostat setting is preventing the fireplace from turning on.	Adjust the temperature setting to ensure that the thermostat is set higher than the current room temperature.
The RED LED is blinking constantly and the blower motor does not start.	Proximity switch cut off	Ensure there are no obstructions within a minimum distance of 6 inches from the air vents. Press the Power button to restart the fireplace.
The fireplace turns off automatically.	The slide out moves and activates the safety cut off.	Do not use the fireplace if the slide out is not in the fully extended position.

# Troubleshooting

<b>Problem</b>	<b>Root cause</b>	<b>Corrective action</b>
Remote control is not working	Weak or defective batteries	Replace the remote batteries.
	Poor signal	Press the remote control buttons with an even motion and gentle pressure. Repeatedly pressing buttons in rapid succession may cause the remote to malfunction.
	Distance	Operate the remote at a distance less than 20 feet from the front of the fireplace. Point the remote at the control panel.

---

## Care and Maintenance

- The fan and flame generator motors are pre-lubricated for extended bearing life and require no further lubrication. However, we recommend periodic cleaning/vacuuming of the fan/fireplace.
- Buff the trim using a soft cloth slightly dampened with a citrus oil based product (available at supermarkets and hardware stores). DO NOT use brass polish or household cleaners. These products will damage the metal trim.
- Make sure the unit is turned OFF and unplugged before cleaning the fireplace.

---

# Warranty

**Your appliance is covered by a one year limited warranty. For one year from your original date of purchase, Furrion will pay costs for repairing or replacing any parts of this appliance that prove to be defective in materials or workmanship when such appliance is installed, used and maintained in accordance with the provided instructions.**

## Exclusions

**this warranty does not cover the following:**

1. Products with original serial numbers that have been removed, altered or cannot be readily determined.
2. Product that has been transferred from its original owner to another party or removed outside the USA or Canada.
3. Rust on the interior or exterior of the unit.
4. Products purchased second hand are not covered by this warranty.
5. Products used in a commercial setting.
6. Service calls which do not involve malfunction or defects in materials or workmanship, or for appliances not in ordinary household use or used other than in accordance with the provided instructions.
7. Service calls to correct the installation of your appliance or to instruct you how to use your appliance.
8. Expenses for making the appliance accessible for servicing, such as removal of trim, cupboards, shelves, etc., which are not a part of the appliance when it is shipped from the factory.
9. Service calls to repair knobs, handles, or other cosmetic parts.
10. Surcharges including, but not limited to, any after hour, weekend, or holiday service calls, tolls, ferry trip charges, or mileage expense for service calls to remote areas, including the state of Alaska.
11. Damages to the finish of appliance or home incurred during installation, including but not limited to floors, cabinets, walls, etc.
12. Damages caused by: services performed by unauthorized service companies; use of parts other than genuine Furrion parts or parts obtained from persons other than authorized service companies; or external causes such as abuse, misuse, inadequate power supply, accidents, fires, or acts of God.

---

# Warranty

Customer's sole and exclusive remedy under this limited warranty shall be product repair or replacement as provided herein. Claims based on implied warranties, including warranties of merchantability or fitness for particular purpose, are limited to one year or the shortest period allowed by law, but not less than one year. Furrion shall not be liable for consequential or incidental damages such as property damage and incidental expenses resulting from any breach of this written limited warranty or any implied warranty. Some states and provinces do not allow the exclusion or limitation of incidental or consequential damages, or limitations on the duration of implied warranties, so these limitations or exclusions may not imply to you. This written warranty gives you specific legal rights. You may also have other rights that vary from state to state.

Keep your receipt, delivery slip, or some other appropriate payment record to establish the warranty period should service be required. If service is performed, it is in your best interest to obtain and keep all receipts. Service under this warranty must be obtained contacting Furrion at [warranty@furrion.com](mailto:warranty@furrion.com)

Product features or specifications as described or illustrated are subject to change without notice.

