

IMPORTANT: READ CAREFULLY!

Preparation:

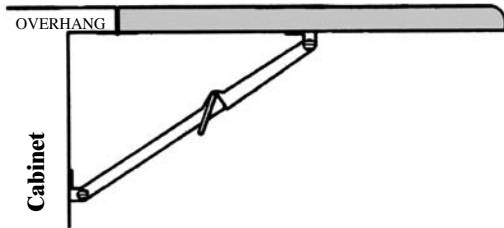
- You will need an assistant for this installation.
- Take your time and be very exact following procedures in these instructions. Paper templates are supplied to make this process easier, but you may want to actually measure distances with a ruler instead.
- This extension works on countertops with or without an overhang. Use SECTION A for countertops with overhang. Use SECTION B for countertops without overhang.

Tools required:

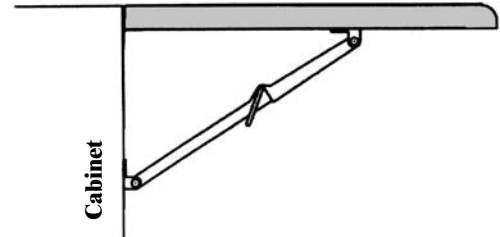
- ruler
- electric drill with 3/32" drill bit
- Phillips screwdriver
(cordless power screwdriver suggested)
- Carpenter's square (recommended)

Materials included:

- Installation instructions
- (1) Overhang Measurement Tool and (2) Templates
- 10 Screws (5/8")
- 12" Hinge—attached to extension
- Support bracket



SECTION A: Countertops with overhang

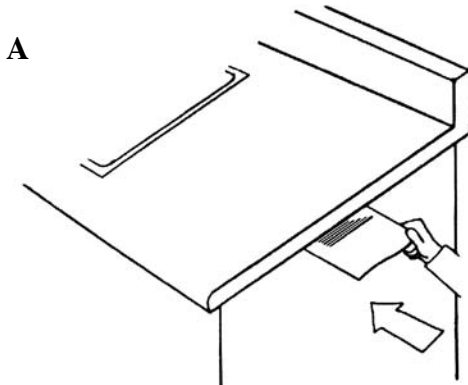


SECTION B: Countertops without overhang

A countertop overhang of at least 5/8" is suggested for installation according to Section A instructions.

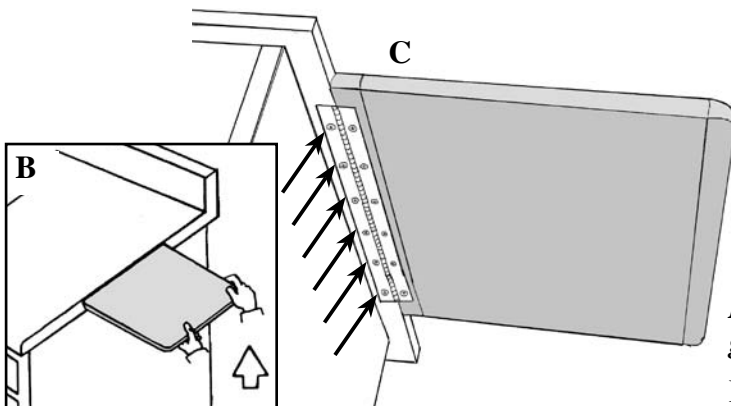
NOTE: Due to variations in countertop thickness, countertop extension may not be flush with countertop.

Section A - Countertops with Overhang



1. Using enclosed *Overhang Measurement Tool*, measure counter overhang in center of location where you plan to mount extension. Place overhang tool under overhang with dimension lines facing upward. Slide tool forward under overhang until it touches cabinet side (*Figure A*). Note which line the edge of overhang comes closest to. You may have to round off, depending on your unit. Record corresponding letter for this dimension line (*for example: If overhang measures 7/8", record letter "C"*).

If you choose to use a ruler, measure and record the counter overhang.



2. Have assistant hold extension flush to counter edge in fully extended position, level with inside of overhang (*Figure B*). Due to variations in countertop thickness, countertop extension may not be flush with countertop. There should be no gap between extension and counter. Mark pilot hole locations through piano hinge on the **underside** (*Figure C*) of overhang and drill holes using 3/32" drill bit.

Place masking tape on drill bit to mark 3/8" depth as a guide so you do not drill through the countertop overhang.

Install extension with screws.

Section A - Countertops with Overhang (continued)

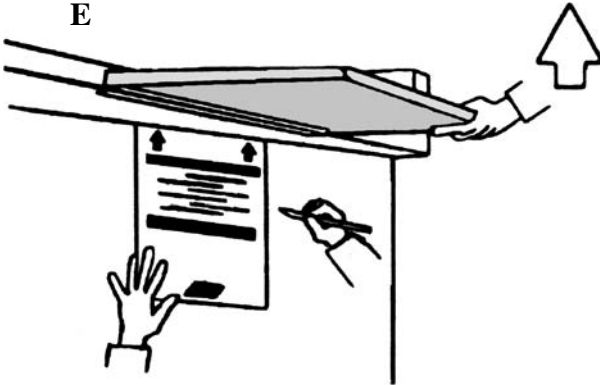
D



3. Locate **Template #1** and find proper hole set by matching letter from **Overhang Measurement Tool** (see Step 1). *For example: If overhang is 7/8"; corresponding letter is "C"—use holes aligned with "C" on Template #1.*

With a nail or pen, carefully punch through both corresponding holes (see Figure D).

E



4. Have assistant hold extension up so you can work under it. Hold **Template #1** squarely against cabinet with top edge touching bottom of overhang, centering pilot holes with piano hinge. To position correctly on 5/8" overhang, slide template behind hinge.

5. Carefully mark cabinet through holes from Step 3. These will be pilot hole locations for support bracket (Figure E).

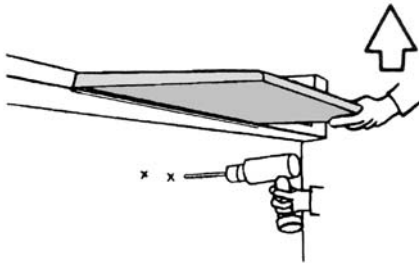
Example: If overhang is closest to Line C (7/8") on Overhang Measurement Tool, use hole set C on **Template #1**.

F

Overhang	Side
A- 5/8"	2-3/4"
B- 3/4"	2-13/16"
C- 7/8"	2-5/8"
D- 1"	2-7/16"
E- 1-1/8"	2-17/32"
F- 1-1/4"	2-7/16"
G- 1-3/8"	2-13/32"
H- 1-1/2"	2-9/32"
I- 1-5/8"	1-29/32"
J- 1-3/4"	1-13/16"
K- 1-7/8"	1-25/32"
L- 2"	1-23/32"

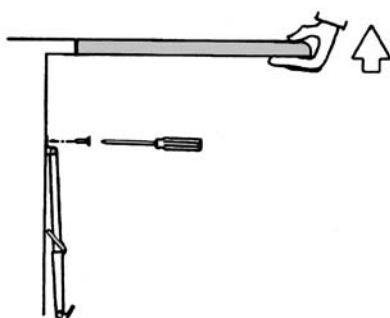
NOTE: If you prefer not to use the templates provided, overhang and cabinet side dimensions are listed in Figure F at left. Measure overhang and find closest listed dimension on chart. Move across to corresponding side measurement. Using side dimension, measure down from the overhang and make a pencil mark. (**Do not include hinge thickness in measurement.**) Place support bracket so you can see mark through one of the screw holes. Make marks through both screw holes. These will be pilot hole locations.

G



6. Using 3/32" drill bit, drill pilot holes on both marks (Figure G).

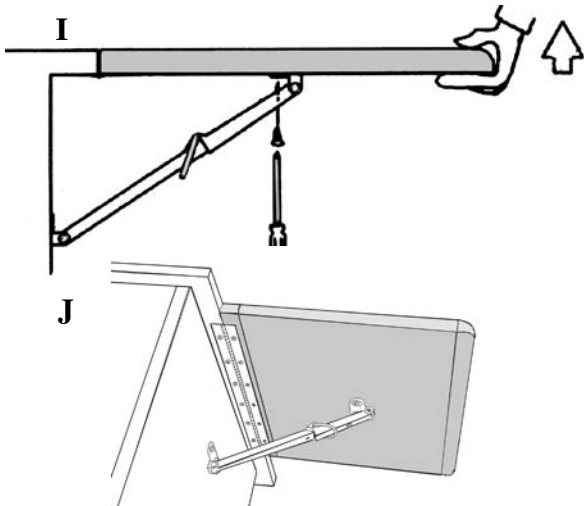
H



With flat side of support bracket facing down, attach bottom of support bracket (longer section) to cabinet side with screws provided (Figure H).

NOTE: Longer section of support bracket (bottom) must be installed on cabinet base.

Section A - Countertops with Overhang (continued)



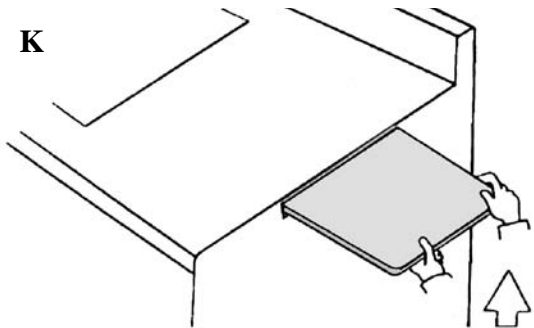
7. Have assistant hold extension outward so it is level with countertop (*Figure I*). This is the “in use” position.

8. With hinge extended, move support bracket upward so top (shorter side) makes contact with extension board. Make two marks for pilot holes through the support’s screw holes.

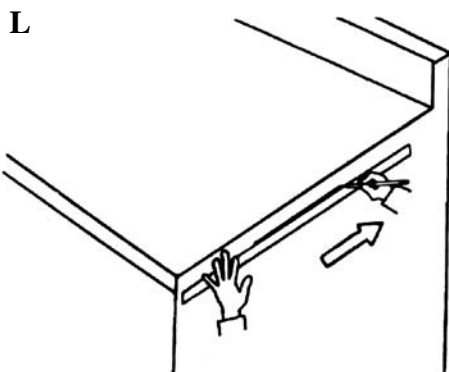
9. Carefully drill pilot holes with 3/32" drill bit. ***Recheck masking tape on drill bit (3/8" depth) so you do not drill through the extension.***

10. Complete installation by attaching top of support bracket to extension with screws. Check for proper operation (*Figure J*).

Section B - Countertops with No Overhang



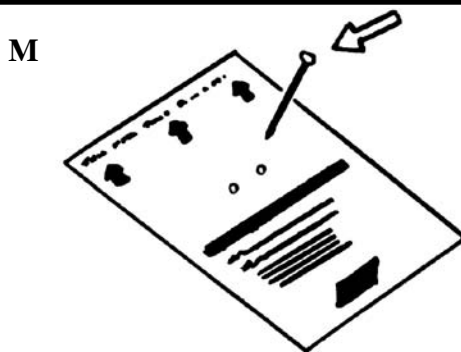
1. Determine mounting location and have assistant hold extension in place (*Figure K*). Unfold piano hinge so it rests flat against side of cabinet. Make a pencil mark on cabinet at the bottom of piano hinge.



2. Using straight edge (preferably a carpenter’s square) draw a line through mark made in Step 1 parallel to countertop edge (*Figure L*). Check to be sure the line is parallel to countertop.

Have assistant again hold extension against mounting location. Position extension so that bottom of piano hinge rests on line. Make pencil marks through piano hinge for pilot hole locations.

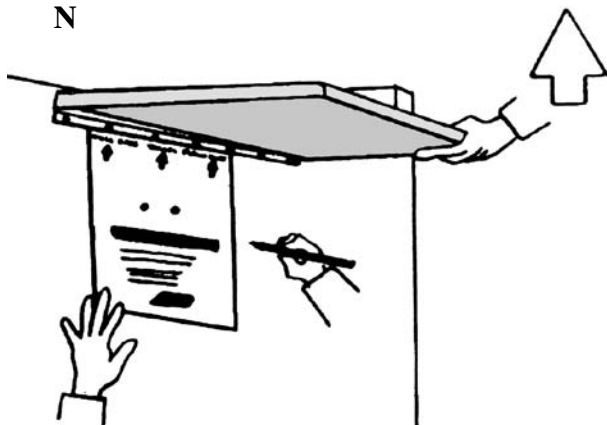
3. Drill pilot holes with 3/32" drill bit and attach extension to cabinet with screws provided.



4. Locate **Template #2**. Using a nail or pen, carefully punch through the two pilot hole locations (*Figure M*).

Section B - Countertops with No Overhang (continued)

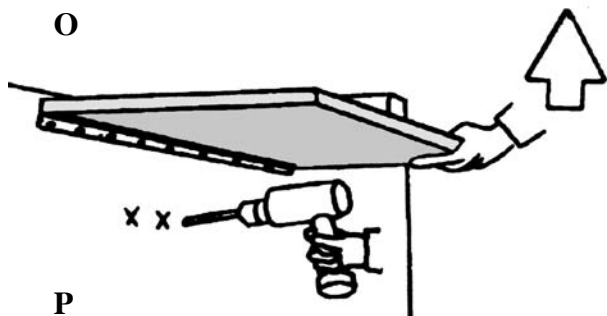
N



5. Have assistant hold extension fully outward so you can work under it. Hold top edge of **Template #2** squarely against bottom of piano hinge. Center template under extension, and carefully mark through template holes (*Figure N*). These will be pilot holes for support bracket.

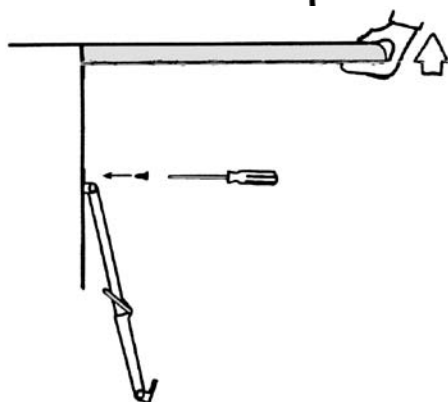
If you wish to measure the distance instead of using the template, measure down 2-3/8" and place a pencil mark. Center one of the screw holes from support bracket's lower bracket over mark, and place marks in both holes. These will be pilot holes for support bracket.

O



6. Using 3/32" drill bit, drill pilot holes on both marks (*Figure O*).

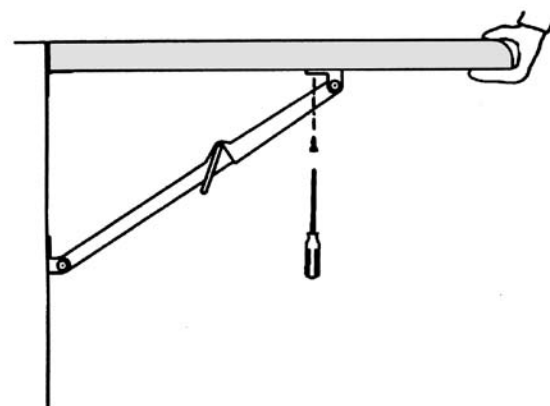
P



While assistant holds extension up, attach bottom of support bracket (longer side) to cabinet with screws provided. (*Figure P*).

NOTE: Longer section of support bracket (bottom) must be installed on cabinet base.

Q



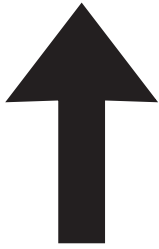
7. Have assistant hold extension outward (perpendicular to cabinet side) and level (*Figure Q*). This is the "in use" position.

8. Move support bracket upward so top of support makes contact with extension board. Make two marks for pilot holes through support's screw holes on bottom of extension.

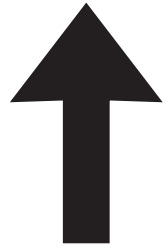
9. Carefully drill pilot holes in extension board with 3/32" drill bit. ***Place masking tape on drill bit to mark 3/8" depth as a guide so you do not drill through the extension.***

10. Complete installation by attaching top of support bracket to extension with screws provided. (*Figure Q*). Check for proper operation.

This edge toward cabinet side.



A	_____	5/8"
B	_____	3/4"
C	_____	7/8"
D	_____	1"
E	_____	1-1/8"
F	_____	1-1/4"
G	_____	1-3/8"
H	_____	1-1/2"
I	_____	1-5/8"
J	_____	1-3/4"
K	_____	1-7/8"
L	_____	2"



OVERHANG MEASUREMENT TOOL

SEE INSTRUCTION BOOKLET FOR COMPLETE DETAILS.



1. Place under counter overhang as per figure A in instruction booklet. Make sure edge is flush against cabinet side.
2. Find the closest dimension line to actual overhang. You have to round up or down depending on measurement.
3. Record corresponding letter located on left of dimension line for use with TEMPLATE #1.





Camco Mfg. Inc.
121 Landmark Drive
Greensboro, NC 27409





**Place this edge of the paper
against underside of countertop overhang.**

L. 1-23/32" 
J. 1-13/16" 

 K. 1-25/32"
 I. 1-29/32"

G. 2-13/32" 

 H. 2-9/32"
 D, F. 2-7/16"
 E. 2-17/32"

C. 2-5/8" 
A. 2-3/4" 

 B. 2-13/16"

Center above pilot holes
under piano hinge

Center above pilot holes
under piano hinge

TEMPLATE #1

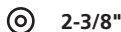
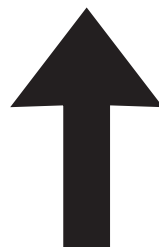
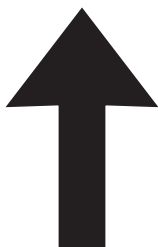
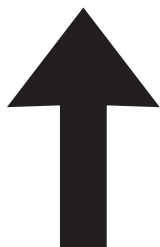
**USE THIS TEMPLATE FOR CABINETS WITH OVERHANG.
SEE INSTRUCTION BOOKLET FOR COMPLETE DETAILS.**

1. Measure overhang with OVERHANG MEASUREMENT TOOL.
2. Match corresponding letter on overhang measurement tool with corresponding circles on this template.
3. Carefully use nail or pen to poke through both circles.
4. Hold template #1 squarely against cabinet with top edge of paper touching bottom of cabinet overhang, centering pilot holes with piano hinge. Arrows should point upward.
5. Use pencil to mark cabinet through holes punched in this template.
6. Drill pilot holes on marks using 3/32" drill bit.



Camco Mfg. Inc.
121 Landmark Drive
Greensboro, NC 27409

This edge toward bottom of piano hinge.



TEMPLATE #2

**USE THIS TEMPLATE FOR CABINETS WITH NO OVERHANG.
SEE INSTRUCTION BOOKLET FOR COMPLETE DETAILS.**

1. Carefully use nail or pen to poke through both circles (Figure M in instruction booklet).
2. Hold template on side of cabinet with top edge of paper touching bottom of extension's piano hinge. Arrows should point upward as in Figure N.
3. Template should rest on planned area for support bracket installation - the **center** of the planned countertop extension area.
4. Use a pencil to mark cabinet through holes punched in this template.
5. Drill pilot holes on marks using 3/32" drill bit.



**Camco Mfg. Inc.
121 Landmark Drive
Greensboro, NC 27409**