



INSTALLATION INSTRUCTIONS

HDX DROP HITCH STEP, HDX Stainless Drop Hitch Step

APPLICATION:

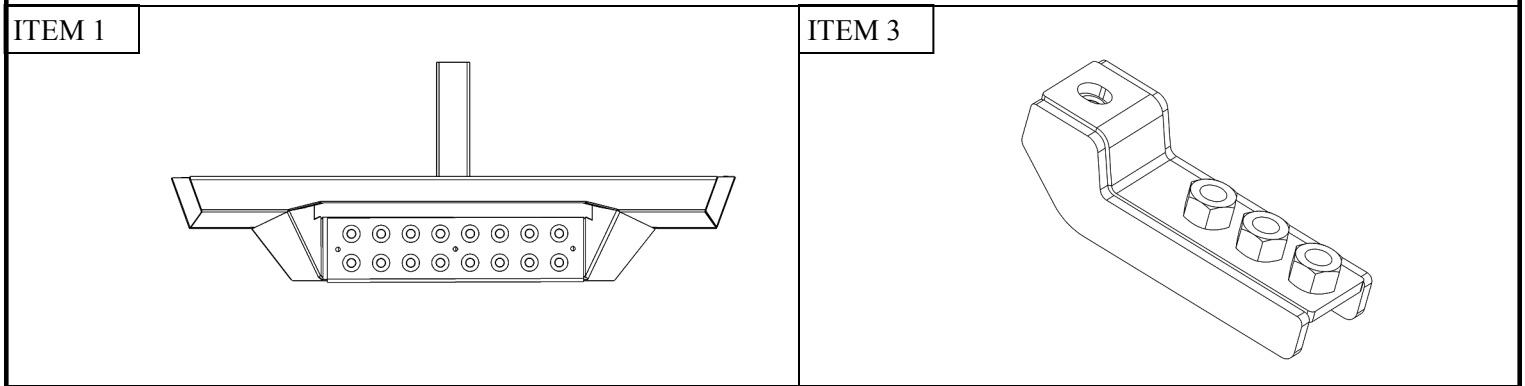
Universal Fit on all 2" Receivers

PART NUMBER:

56-10015, 56-100152

CONTENT			
ITEM	QUANTITY	DESCRIPTION	TOOLS NEEDED
1	1	STEP BAR	17MM SOCKET
2	1	ANTI RATTLE BRACKET	19MM SOCKET
3	1	M10 HEX HEAD BOLT (YELLOW ZINC)	RATCHET
4	1	M10 SPLIT LOCK WASHER (YELLOW ZINC)	TORQUE WRENCH
5	1	M10 FLAT WASHER (YELLOW ZINC)	
6	1	M12 HEX HEAD BOLT (BLACK ZINC)	

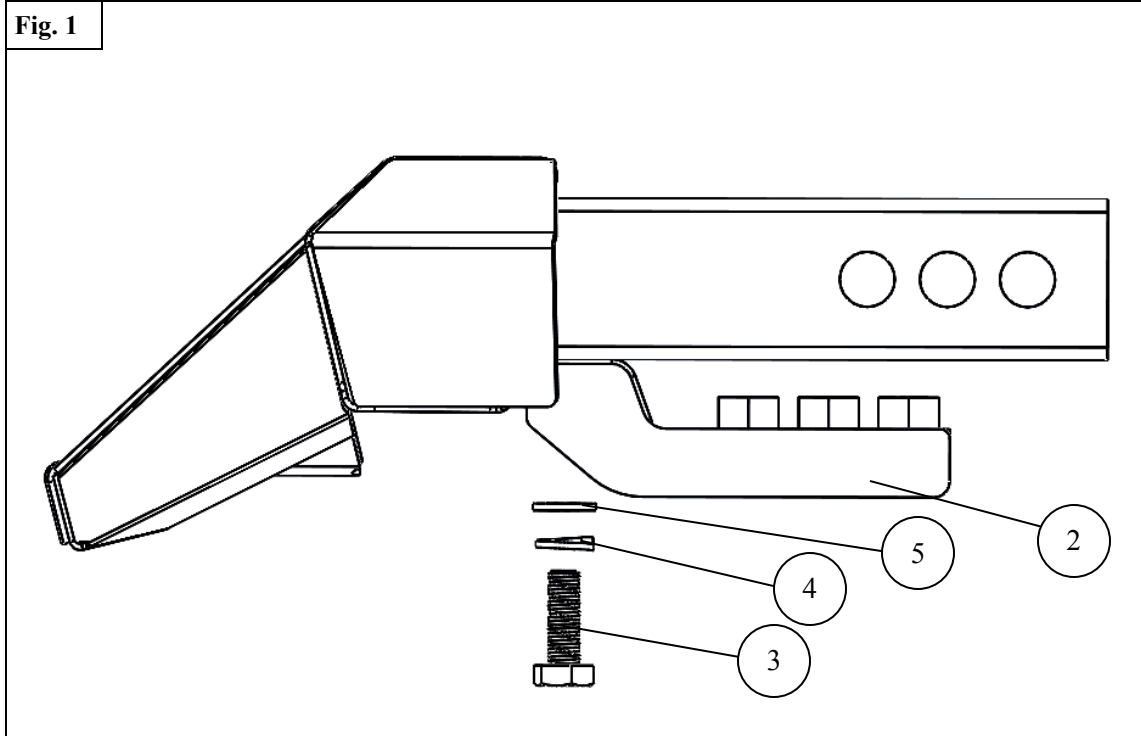
ANTI-SEIZE LUBRICANT MUST BE USED ON ALL STAINLESS STEEL FASTENERS TO PREVENT THREAD DAMAGE AND GALLING



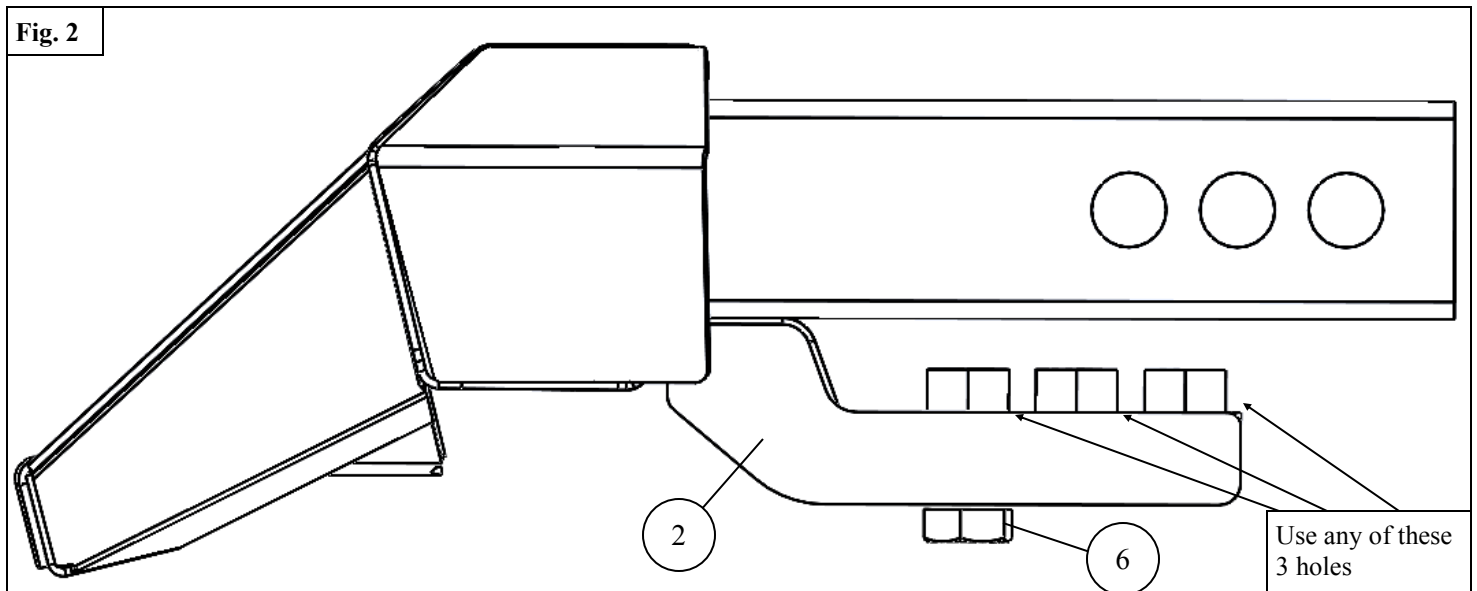
PROCEDURE

1. Remove contents from box, verify if all parts listed are present and free from damage.
Carefully read and understand all instructions before attempting installation.
Failure to identify damage before installation could lead to a rejection of any claim.

- Loosely assemble the Anti Rattle Bracket (3) to the main bracket (2) using the supplied M10 hardware. See Figure 1.



- Slide the step bar into the receiver hitch of your vehicle. Lock it into place with the receiver pin (not included).
- Install the M12 bolt into one of the three holes on the Anti Rattle bracket. Every receiver may be different, so use the best hole for your application. Snug up the bolt until the whole assembly is tight and does not move excessively. **Note: Do not over tighten bolt, this is only to keep the assembly from rattling on the vehicle. See Figure 2.**
- Adjust bracket accordingly and torque down all installed M10 hardware to 40 ft-lbs.



INSTALLATION COMPLETE



CARE INSTRUCTIONS

- REGULAR WAXING IS RECOMMENDED. DO NOT USE ANY TYPE OF POLISH OR WAX THAT MAY CONTAIN ABRASIVES.
- STAINLESS STEEL PRODUCTS CAN BE CLEANED WITH MILD SOAP AND WATER. STAINLESS STEEL POLISH SHOULD BE USED TO POLISH SMALL SCRATCHES.
- GLOSS BLACK FINISHES SHOULD BE CLEANED WITH MILD SOAP AND WATER.

WESTIN

Westin Automotive Products, Inc.
320 W. Covina Blvd
San Dimas, Ca. 91773

Thank you for choosing Westin products
for additional installation assistance please call
Customer Service (800) 793-7846

www.westinautomotive.com



WARNING



Failure to follow these instructions could lead to death, personal injury, and / or property damage.

Failure to follow these instructions could lead to death, personal injury, and / or property damage.

FASTENERS:

All Westin supplied fasteners must be utilized and installed in accordance with the installation instructions and apply torque to the specifications as defined. **DOUBLE CHECK ALL FASTENERS BEFORE INITIAL USE, AND PERIODICALLY IN THE FUTURE TO ENSURE PROPER FUNCTION AND SAFETY.**

DRILLING:

Most Westin products do not require drilling for installation. If drilling is defined as required, use caution when drilling a vehicle. **FAILURE TO REVIEW AN AREA TO BE DRILLED MAY RESULT IN PERSONAL INJURY AND/OR INJURY TO OTHERS AS WELL AS VEHICLE DAMAGE.**

EYE PROTECTION:

ALWAYS WEAR SAFETY GLASSES OR GOGGLES DURING THE INSTALLATION PROCESS TO AVOID PERSONAL INJURY.

MAXIMUM TOWING/CARRYING CAPACITY: (if applicable)

The Westin Receiver Hitches will have a visible tow rating label affixed directly on the product. User should never exceed the vehicle manufacturers maximum tow and weight rating regardless of the capacity of the hitch. **FAILURE TO FOLLOW THESE GUIDELINES WILL VOID THE WESTIN WARRANTY AND MAY RESULT IN PERSONAL INJURY AND/OR INJURY TO OTHERS AS WELL AS VEHICLE DAMAGE.**

FOR CALIFORNIA RESIDENTS ONLY-PROP 65 WARNING:

Some products may contain chemicals such as DEHP, which can cause cancer, birth defects or other reproductive harm. For more info go to www.p65warnings.ca.gov



Westin Automotive Products, Inc.
320 W. Covina Blvd
San Dimas, Ca. 91773