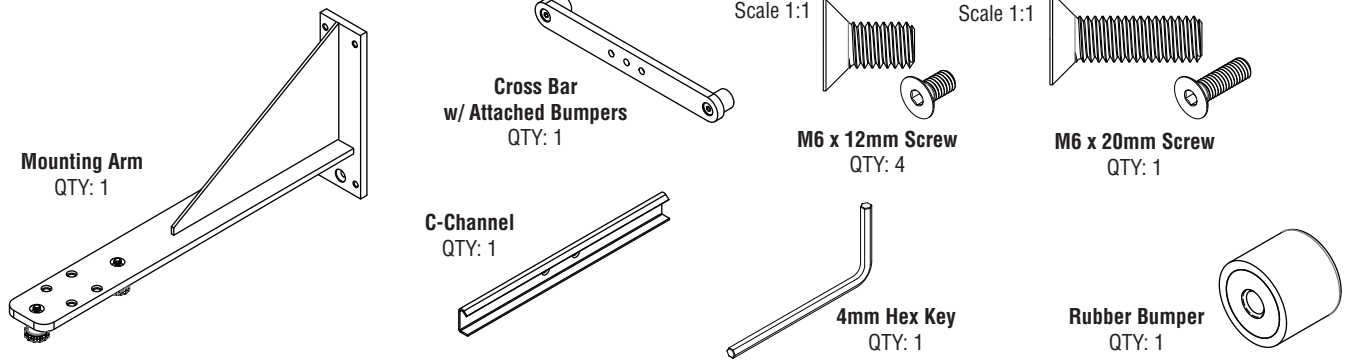


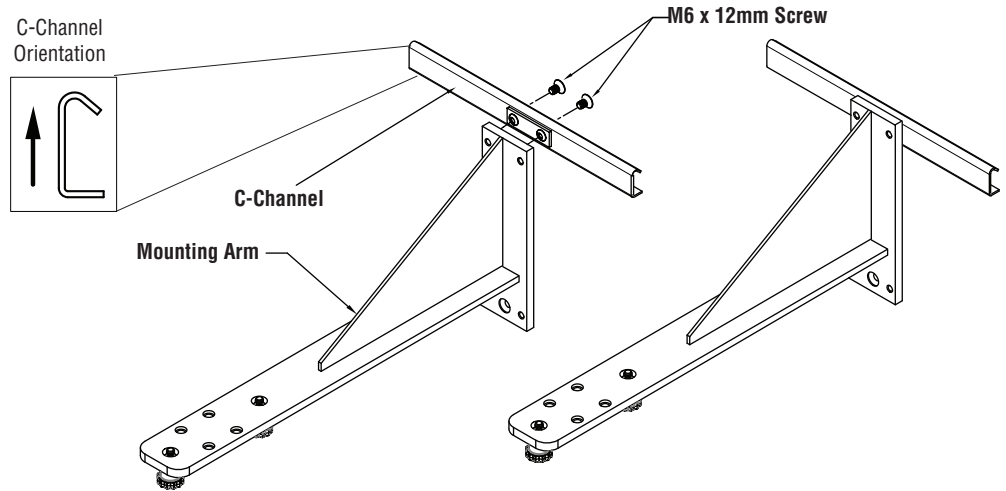
UNIVERSAL GRILL MOUNT ASSEMBLY INSTRUCTIONS

PARTS LIST



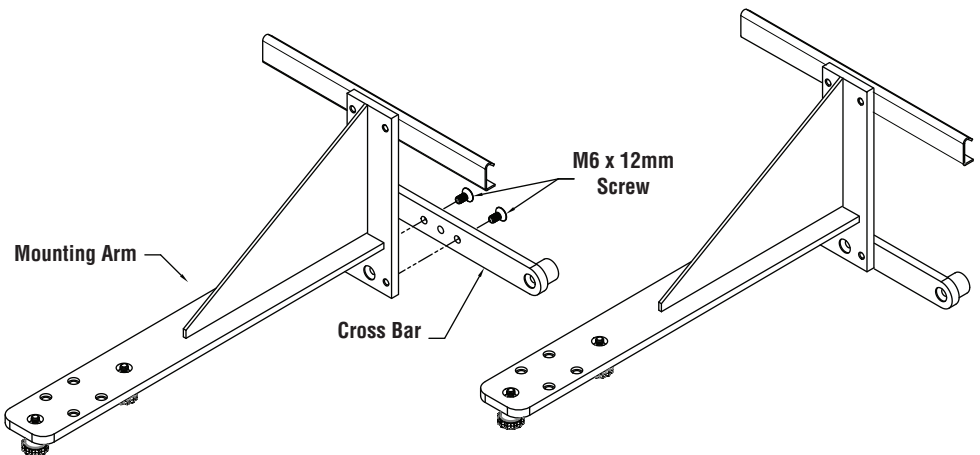
STEP 1

Align and fasten the **C-CHANNEL** to the **MOUNTING ARM** using two **M6x10mm** screws. Loosely attach both fasteners, then make sure the **C-CHANNEL** is aligned and square to the **MOUNTING ARM**. Once the parts are aligned, fully tighten the **M6x12mm** screws using the **HEX KEY** provided.



STEP 2

Align and fasten the **CROSS BAR** to the **MOUNTING ARM** using two **M6x12mm** screws. Loosely attach both screws, then make sure the **CROSS BAR** is aligned and square to the **MOUNTING ARM**. Once the parts are aligned, fully tighten the **M6x12mm** screws using the **HEX KEY** provided. The countersunk holes will help align and center the **CROSS BAR**.



STEP 3

Align and fasten the middle **RUBBER BUMPER** to the **CROSS BAR** using the one **M6x20mm** screw. Once the parts are aligned, fully tighten screw using the **HEX KEY** provided. The countersunk hole will help align and center the **RUBBER BUMPER**.

