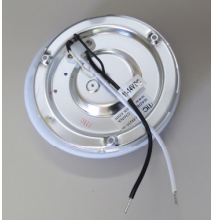





## LED Radiance Surface Mount Installation Instructions

(Part #'s 699250, 69927 & 69929)

| PARTS NEEDED:   | TOOLS NEEDED:   |   |
|---|---|---|
|  |  |  |
| LED Radiance Fixture  | Electric Drill  | Wire Nuts   |

## LED Radiance Surface Mount Safety Instructions

### IMPORTANT SAFETY INSTRUCTIONS. READ CAREFULLY FOR YOUR PROTECTION AND SAVE ALL INSTRUCTIONS.

- \*Disconnect power before installing, adding or changing any component.
- \*To avoid a hazard to children, account for all parts and destroy all packing materials.
- \*Do not use in damp or wet locations.
- \*Do not install any luminaire assembly closer than 6" from any curtain or other combustible material.

### SERVICE

There are no user-serviceable parts inside. Opening unit will void warranty. Contact elio™ for service parts at 888-871-8860.

## LED Radiance Surface Mount Warranty Information

### GENERAL PRODUCT LIMITED WARRANTY

ITC Incorporated under its corporate name or the elio trade name (collectively hereafter referred to as the "Company") warrants, to the original purchaser, that the product will be free of defects in materials and/or workmanship for the period of time set forth herein. This warranty period will begin from the original date of purchase of the product. Except as set forth below, this general product limited warranty will extend for three years. All assist handles will have a three year warranty period, provided that crazing caused by chemical attack from contaminant is not covered by any warranty. Power supplies also have a 3 year warranty.

**MAXIMUM LIABILITY** The Company's liability to repair or replace a damaged item shall be limited to the original purchaser of the item at the original invoice price of the damaged unit. Labor and freight will not be included

**INSPECTION** The Company reserves the right to review the damaged product and the site where the damage occurred. The Company may require the purchaser to ship the item to the Company for inspection. The damaged item must remain available for inspection until the claim is finalized. In the event the Company requests to inspect the product, it agrees to dispatch its findings pertaining to the alleged defective product within 45 days of receiving the product. Whenever claims are settled, the Company reserves the right to be subrogated under any existing insurance policies the purchaser may have.

**EVENTS THAT VOID WARRANTY** All above warranties are null and void if any one or more of the following events occurs: (a) the item is not provided to ITC for inspection upon the Company's request; (b) the Company determines that the item has been improperly installed, altered in any way or tampered with; (c) the Company determines that the item was not used under normal operating conditions or in accordance with labels or instructions for the item including, (d) the Company determines the product was not properly maintained, and/or; e) the Company determines that an unauthorized repair, modification, disassembly, or other changes to the product created the alleged defect. In addition to the foregoing, this Warranty does not protect against damage to the product when the Company determines, in its sole discretion, that the damage resulted from acts of God such as lightning, flood, earthquake, war, vandalism, theft, normal-use wear and tear, terrorism, strikes, and labor stoppages. This warranty specifically excludes damage, deterioration or discoloration caused by sunlight or similar ultraviolet rays and/or wavelengths and/or dents, holes or scratches to the unit caused by stones, rocks and/or debris.

**EXCLUSIVE REMEDY** This Warranty contains the sole warranty of the Company with respect to the product and is given in lieu of all other warranties. There are no other warranties, express or implied, including implied warranties of merchantability or fitness for a particular purpose and any implied warranties that cannot be waived and/or excluded are hereby limited in duration to the terms of this Warranty.<sup>1</sup>

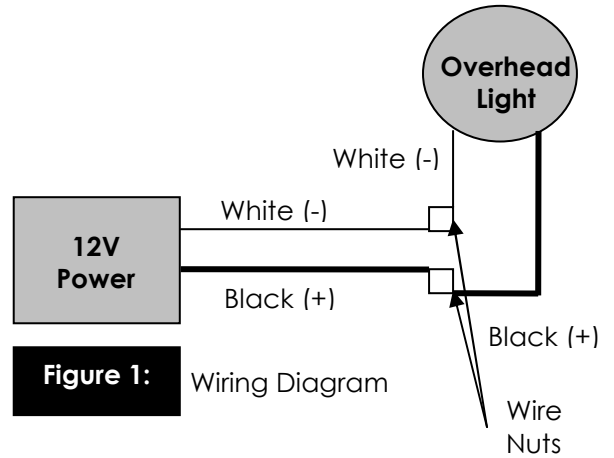
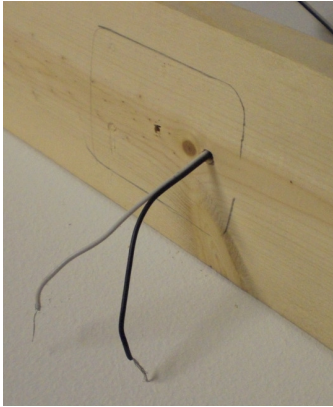
**LIMITATION ON LIABILITY** In no event shall the Company or any affiliate of the Company be liable for direct, indirect, special, incidental, consequential, or multiple damages arising out of the use of the item, regardless of the legal theory on which such claim is based, even if the Company has been advised of the possibility of such damage. Consequential damages shall include, but are not limited to loss of profits, loss of savings or revenue.

<sup>1</sup> Some states do not allow limitations on how long an implied warranty lasts, so the above limitation may not be applicable.

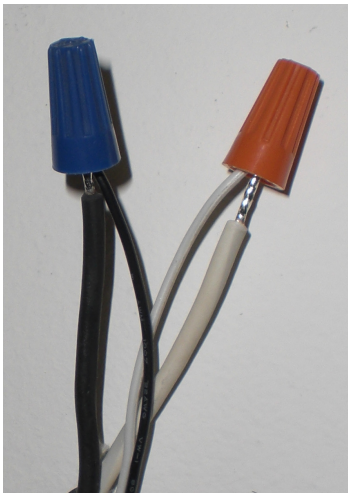


## LED Radiance Surface Mount Installation Instructions

1. Determine where your LED light fixture will be installed. Once determined, drill a small hole and pull units wiring through.



2. Connect the black wire to the positive wire and the white wire to the negative wire using wire nuts (Figure 1).



3. Lens is packed separate from base. Mark location of screw holes and pre-drill. Using screws provided, screw in fixture and install cover by twisting clockwise.

