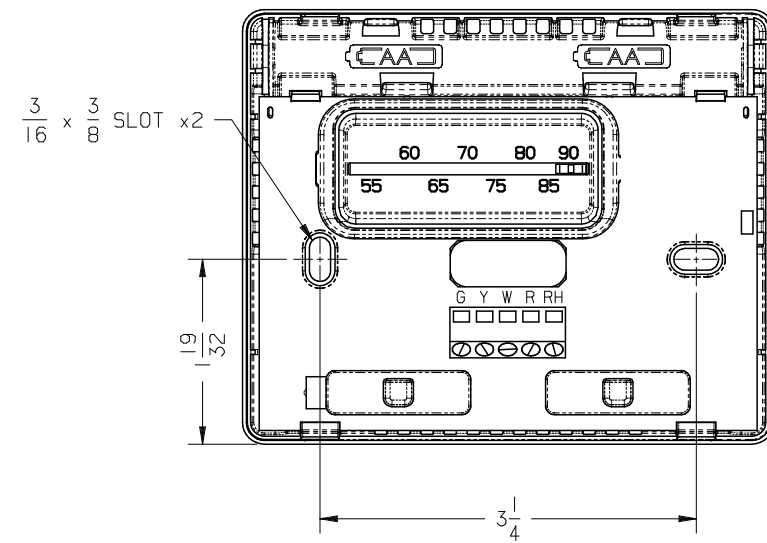
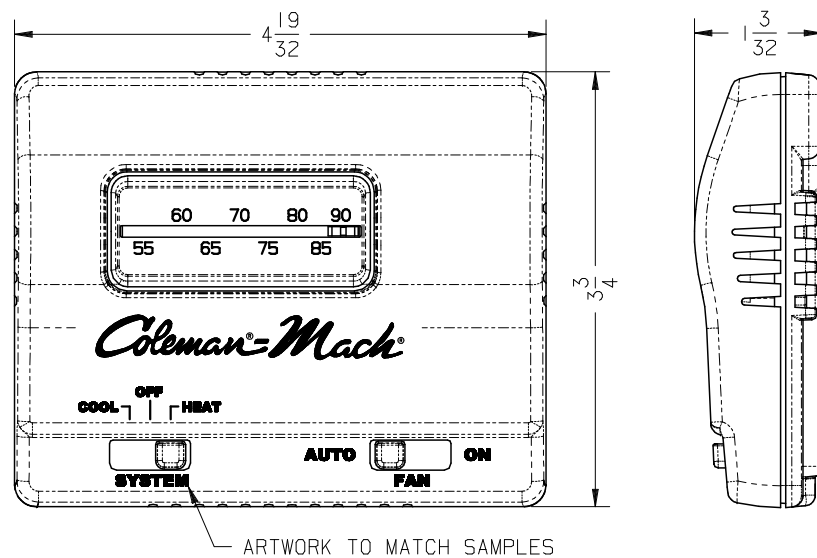


SPECIFICATIONS

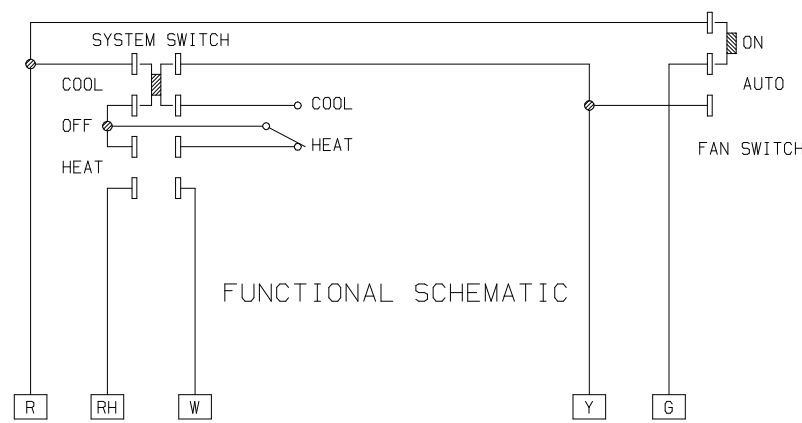
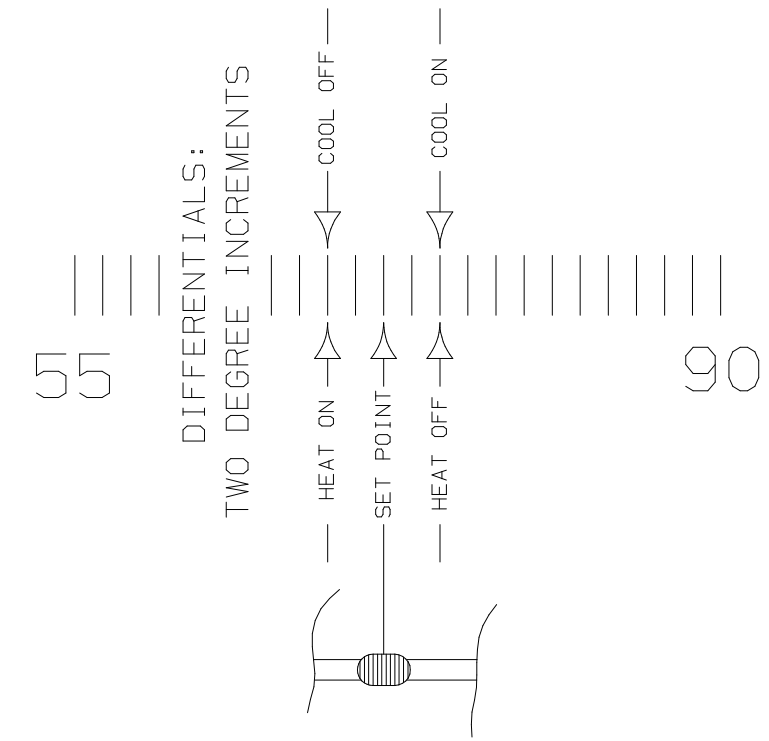
SET TEMP. RANGE: 55 TO 90 DEG. F.
 ACCURACY: ± 2% OF SET TEMPERATURE
 SAMPLING RATE: CONTINUOUS
 TEMP. DIFF.: 4 DEG. HEATING AND COOLING
 POWER SOURCE: 19 TO 30 VAC
 OPERATING TEMP.: -10 TO +55 DEG. C.
 STORAGE TEMP.: -20° TO +80°C
 CONTROL MODE:
 1 STAGE HEAT - ON/OFF CONTROL.
 1 STAGE COOL - ON/OFF CONTROL.
 AUTO OR CONTINUOUS FAN CONTROL.
 OUTPUT LOAD: 40 mA MINIMUM TO 1.2 AMP MAXIMUM TOTAL LOAD.
 OUTPUT VOLTAGE: 2.1 VAC MAX. VOLTAGE DROP.
 P.C. BOARD: U.L. LISTED 94V-1, 105°C MIN., SINGLE LAYER,
 CASE: MASTER BATCH WH1320B WHITE, MATTE FINISH,
 U.L. 94HB RECOGNIZED PLASTIC
 TEXT: MIN. 1/8 TALL, COOL GRAY 9C
 CONNECTIONS:
 R - 24 VAC (COOLING INPUT)
 RH - 24 VAC (HEATING INPUT)
 Y - COOL OUTPUT
 W - HEAT OUTPUT
 G - FAN OUTPUT



BACK OF PART TO BE MARKED WITH
 VENDOR PART NO.
 VENDOR CODE DATE
 RVP PART NO. 7330B344

EACH THERMOSTAT IS SINGLE PACKED IN A RESHIPABLE CARTON.
 ALSO INCLUDED IN EACH PACKAGE ARE TWO MOUNTING SCREWS
 AND INSTALLATION INSTRUCTIONS.
 CARTON TO BE MARKED: 7330B344 THERMOSTAT
 BAR CODE FOR 7330B344 (PER RVPS 409-100)
 RECEIVING P/N 7330B344

THERMOSTAT TO BE RECEIVED WITH
 SWITCHES IN THE FOLLOWING POSITIONS:
 SYSTEM: OFF
 FAN: AUTO
 SET: 75°



VENDOR: ICM
 PART NO.: AR7812

REVISIONS

LTR	DATE	BY	CHKD
	6-8-07	AL	AL
			NEW

REF. DWG. TOLERANCES DECIMAL .x ± .1 .xx ± .06 .xxx ± .030 ANGULAR ± 3° FRACTIONAL ± 1/16 ALL DIMENSIONS IN INCHES - DO NOT SCALE PRINT	UNLESS OTHERWISE SPECIFIED DIMENSION CODE NOTE CODE A DIM. TO TANGENT POINT B DIM. TO INSIDE MOLD LINE C DIM. TO OUTSIDE MOLD LINE F FLUSH WITHIN S SPOTWELD BEND RADIUS - SCALE PRINT	MATERIAL P.C.B. MAT'L UL RECOGNIZED 94V-1, 105°C W/ UL RECOGNIZED 94V-0 CONFORMAL COATING. CASE MAT'L UL RECOGNIZED 94HB. FINISH SPEC. WHITE, MATTE FINISH	R. V. PRODUCTS DIVISION OF AIRXCEL INCORPORATED WICHITA, KANSAS	
			NAME 24 VAC HEAT/COOL T'STAT	NO. 7330B344