

Around Spare - Bike Rack Instructions

1. Attach cross bar (B) to upper tube (A) as shown in Fig. 1, using 5/16" x 1-1/2" bolts, 5/16" lock washers, and 5/16" nuts. Insert plastic end caps into upright tubes.
2. Assemble lower tube retainer brackets (C) to rear bumper using 3/8" U-bolts, lock washers and nuts. Do not tighten the nuts. (See Fig.1) Insert upper tubes into pockets in retainer brackets, and secure with lock pin on either right or left side, as shown in Fig. 2. Tighten the 3/8" nuts.
3. Cut protective tape and place on arms under "J" bolts to protect bikes. Install the bikes on the carrier and hold down bikes using the (4) "J" bolts and (4) knobs, and tighten. **Be sure the "J" bolts are mounted facing each other, as shown in Fig. 1.** With smaller diameter bike frames, the "J" bolts may be turned to either side of the upper tubes (A) for a better fit. continue tightening handles after you encounter initial resistance to be sure the handles are tight against the upper tubes (A). This is the primary means of securing the "J" bolt. **CAUTION:** Over tightening can cause the "J" bolts to deform. If this occurs, stop turning the handle.
4. Acorn nuts serve as a secondary security and are installed after the "J" bolts and knobs are in place. Thread the acorn nuts onto the bottom of the "J" bolts and wrench tighten securely.
5. Bikes must be secured to the carrier crossbar with the (2) nylon straps provided as shown on the attached page to avoid any possible separation. It is the owner's responsibility to check the tightness of the strap periodically for continued safety. It is also recommended to tie the bike wheels together with material not supplied with this kit to prevent the wheels from turning. **Do not create any downward vertical force on any part of the carrier when so securing tying the bikes.** Carefully read and follow the Tips and Notes on Page 2.

WARNING: DO NOT USE ANY STRETCH OR ELASTIC CORDS TO SECURE BIKES WHATSOEVER. USE OF SUCH CORDS MAY CREATE EXCESSIVE FORCES BEYOND THE CARRIER'S LOAD CAPACITY AND CAUSE DAMAGE TO THE CARRIER, BIKES, AND/OR VEHICLE.

Maximum capacity of carrier is 70 lbs. Do not exceed manufacturer's rated bumper capacity.

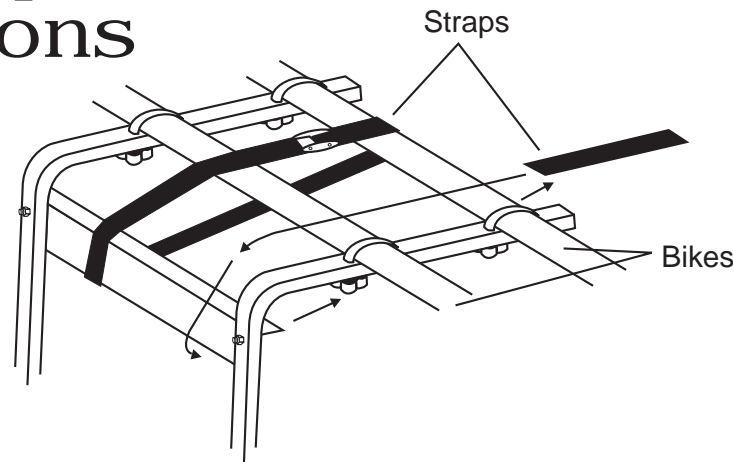
	PARTS	HARDWARE	
A: (2)	Uppertubes	(4) 1/4" "J" Bolts	(2) 5/16" Lock washer
B: (1)	Crossbar	(4) 1/4" Handles	(2) 5/16" Nuts
C: (2)	Retainer Brackets	(4) 1/4" Acorn Nuts	(2) Nylon Straps
		(4) 3/8" Lock washers	(2) End Caps
		(4) 3/8" Nuts	(2) Lock Pins
		(2) 3/8" U-Bolts	(1) Piece Protective Tape
		(2) 5/16" x 1-1/2" Bolts	



Danik Industries Ltd.
300 - 1880 Government St.
Penticton, B.C. V2A 7J1

Phone (250) 490-8883
Fax (250) 490-8885
www.swagman.net

Around Spare - Bike Rack Instructions



SECURE BIKE RACKS AS SHOWN

Tips: To avoid scratches and damage to your bike and/or towing vehicle, it is suggested to cover the frame, handlebars, pedals, and other protruding members of the bike with soft fabric or other similar protective materials as needed.

When carrying 2 bikes, the larger bike should be mounted closest to the carrier crossbar, and the direction of the second bike is to be reversed from that of the largest bike. However, if carrying a woman's bike, it must be placed on first (closest to carrier post). A part number 64004 (Female Adapter) is available (sold separately) for easier mounting of female bikes.

Make sure the weight of the bikes is evenly distributed over the two arms preventing an overload of weight to one arm only. Check periodically to assure that the bikes have not moved and that even distribution is being maintained.

It is recommended to tie the bike wheels together with material not supplied with this kit to prevent bike swaying and the wheels from turning.

Notes: It is the owner's responsibility to periodically check to assure all hardware, straps, etc. are securely tightened for continued safety.

Do not create any downward vertical force on any part of the carrier when securing and tying the bike(s) to the carrier. Excessive downward vertical force beyond the carrier's load capacity may cause damage to the carrier, bikes, and/or vehicle. Maximum capacity of the carrier is 70 lbs.

While traveling, secure bikes with material not supplied with this kit through the bikes to the safety chain hook holes in the hitch or any other permanent fixture of your vehicle (bumper, tow hook, frame, etc.).

ONE YEAR WARRANTY

Danik Industries Ltd., warrants this product for one (1) year from date of the original consumer purchase, provided the product is defective at the time of sale. Not covered by this warranty are:

1. Products changed, altered, or repaired by other than Danik Industries Ltd.
2. Defects, damages, or deterioration due to normal use, exposure, or wear and tear.
3. Damages and defects due to misuse, alterations, negligence, or accident.

This product is guaranteed against defects in material and workmanship. Due to the nature of this product and its intended purpose, and as we cannot control the road conditions, weather, or vehicle design, capacity and material strength, no warranties, either expressed or implied, as to any damage to either the bikes, bumper, camper or any other property are hereby given.



Danik Industries Ltd.
300 - 1880 Government St.
Penticton, B.C. V2A 7J1

Phone (250) 490-8883
Fax (250) 490-8885
www.swagman.net

Around Spare - Bike Rack Instructions (Diagrams)

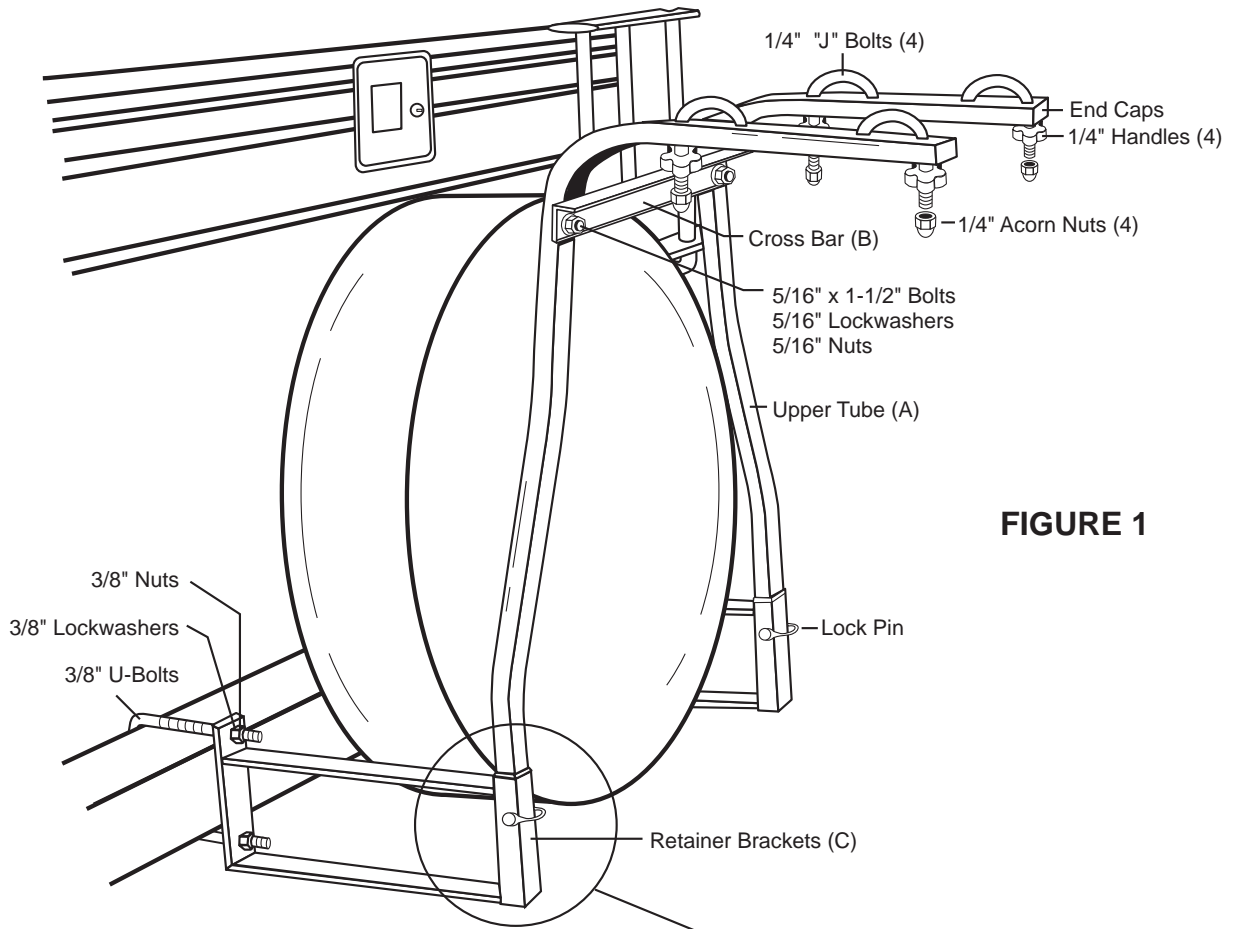


FIGURE 1

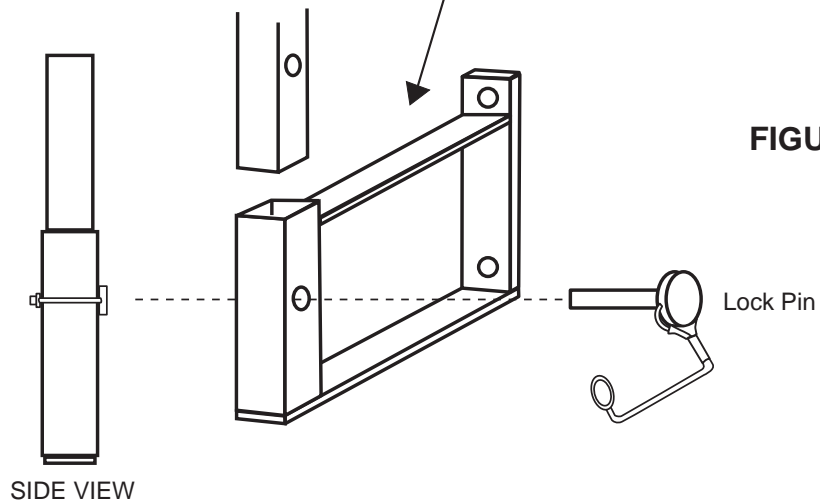


FIGURE 2



Danik Industries Ltd.
300 - 1880 Government St.
Penticton, B.C. V2A 7J1

Phone (250) 490-8883
Fax (250) 490-8885
www.swagman.net