



RV Products Division

REPAIR PARTS LIST

FOR

8330D735

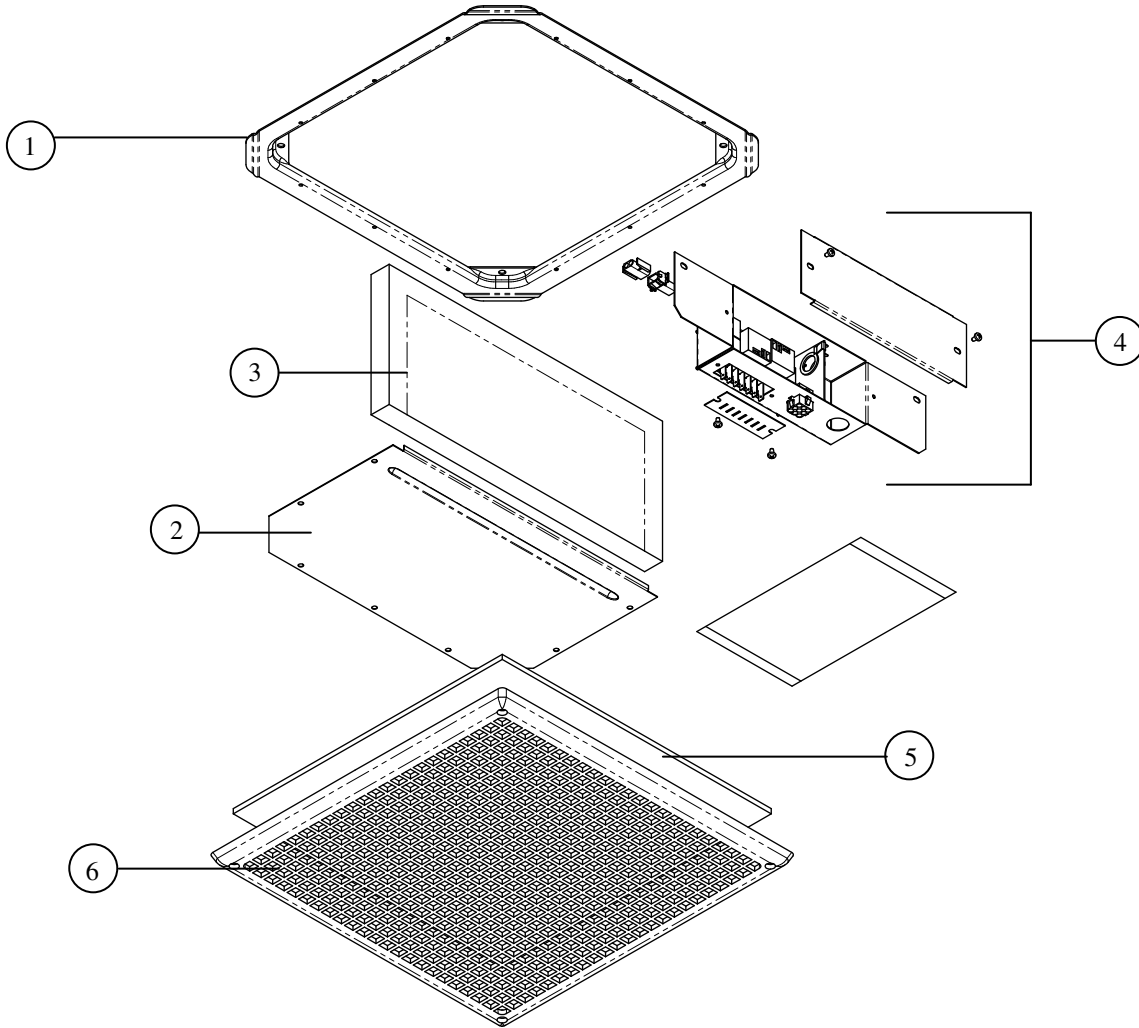
HEAT READY A/C DUCTED

LATERAL SIDE TO SIDE

CEILING PLENUM

**Airxcel, Inc.
RV Products Division
P.O. Box 4020
Wichita, KS 67204**

8330D735



CODE	USED ON MODEL	PART NUMBER	DESCRIPTION	NO. REQ.
1.	All	8333-1031	Mounting Frame & Bolt Pkg.	1
2.	All	8330-101	Duct Plate	1
3.	All	8330-3501	Duct Divider	1
4.	All	8330-5571	Junction Box Assembly Complete	1
5.	All	6798A3761	Filter	1
6.	All	6798-3041	Grille Assembly Complete (Plastic)	1
ns	All	7330A3231	Freeze Switch/Coil Sensor	1
ns	All	8330A588	Small Parts Pkg.	1

ns = not shown