



**REPAIR PARTS LIST  
FOR  
8430-6301  
CHILLE GRILLE 2  
FRONT TO BACK  
CEILING ASSEMBLY**

---

**WARRANTY INFORMATION**

**PARTS RETURN**

“Air Conditioning” in-warranty parts subject to return to RV Products must be sent prepaid to the following address. Always include your company’s claim or workorder along with RVP’s invoice generated from the shipment of the replacement part.

RV Products  
A Division of Airxcel, Inc.  
Attn: Warranty Return  
3050 N. St. Francis  
Wichita, KS 67219

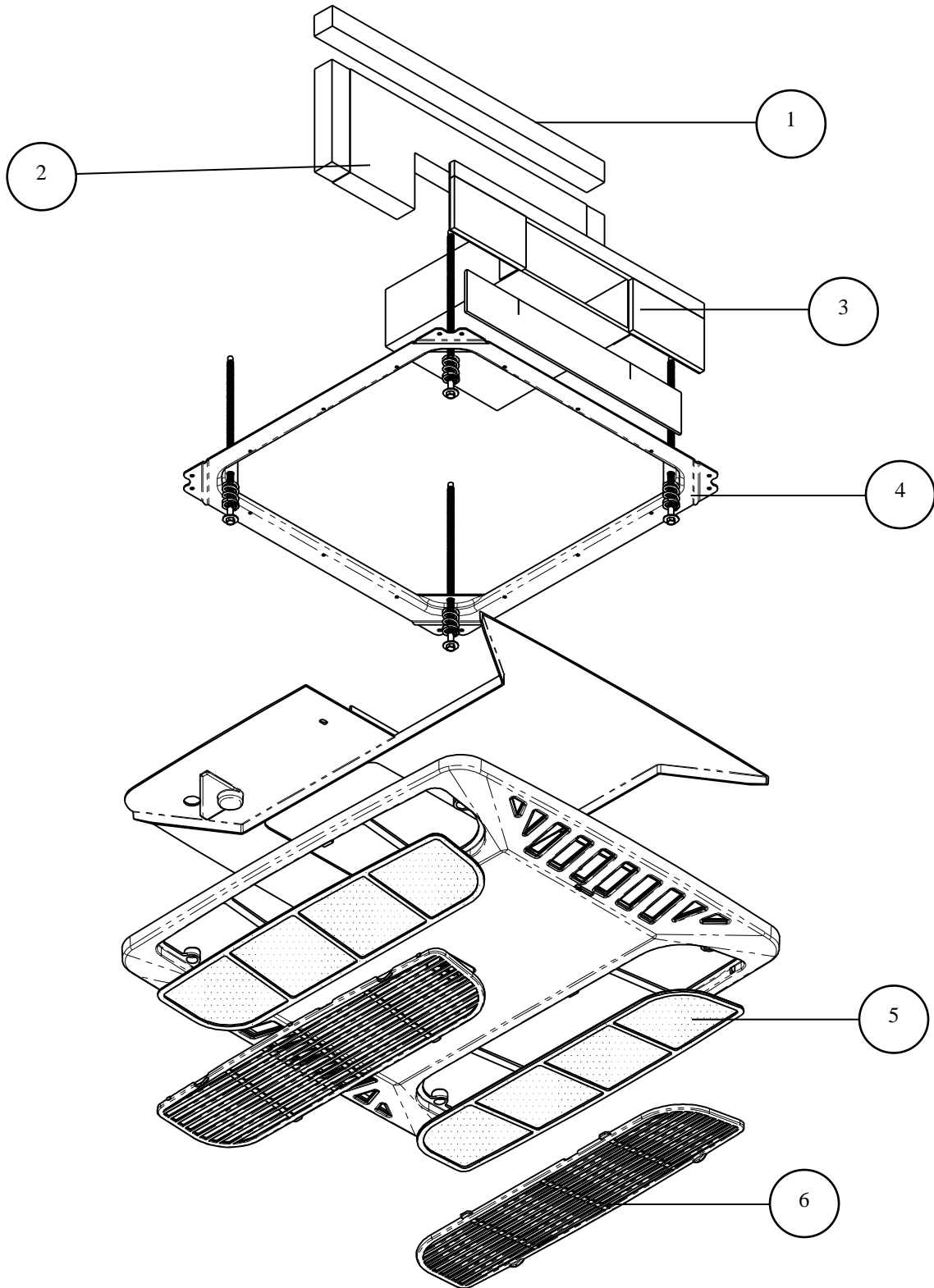
**WRITTEN CORRESPONDENCE**

All written correspondence (no parts) should be sent to the following address:

RV Products  
A Division of Airxcel, Inc.  
Dept. 546  
P.O. Box 4020  
Wichita, KS 67204

Coleman is a registered trademark of The Coleman Company, Inc. used under license. Mach is a registered trademark.

8430-6301



8430-6301



<b>CODE</b>	<b>USED ON MODEL</b>	<b>PART NUMBER</b>	<b>DESCRIPTION</b>	<b>NO. REQUIRED</b>
1.	All	8330-349	Divider Gasket	1
2.	All	8330A3521	Duct Divider Package	1
3.	All	7330A553	Duct Insulation Assembly	1
4.	All	8333A1031	Mounting Frame and Bolt Pkg.	1
5.	All	9430-3091	Filter Package	1
6.	All	9430-4071	Return Air Vent	1
ns	All	8430-591	Small Parts Package	1

ns = not shown

**SPECIAL ORDER PARTS:**

**NOTE:** All parts with three digit suffix numbers are "Special Order" parts. These parts are subject to factory availability and require extra time for delivery.