



**REPAIR PARTS LIST
FOR
8430A633 & 8430A6332
COOL ONLY CHILL GRILLE 2
CEILING ASSEMBLY**

WARRANTY INFORMATION

PARTS RETURN

“Air Conditioning” in-warranty parts subject to return to RV Products must be sent prepaid to the following address. Always include your company’s claim or work order along with RVP’s invoice generated from the shipment of the replacement part.

RV Products
A Division of Airxcel, Inc.
Attn: Warranty Return
3050 N. St. Francis
Wichita, KS 67219

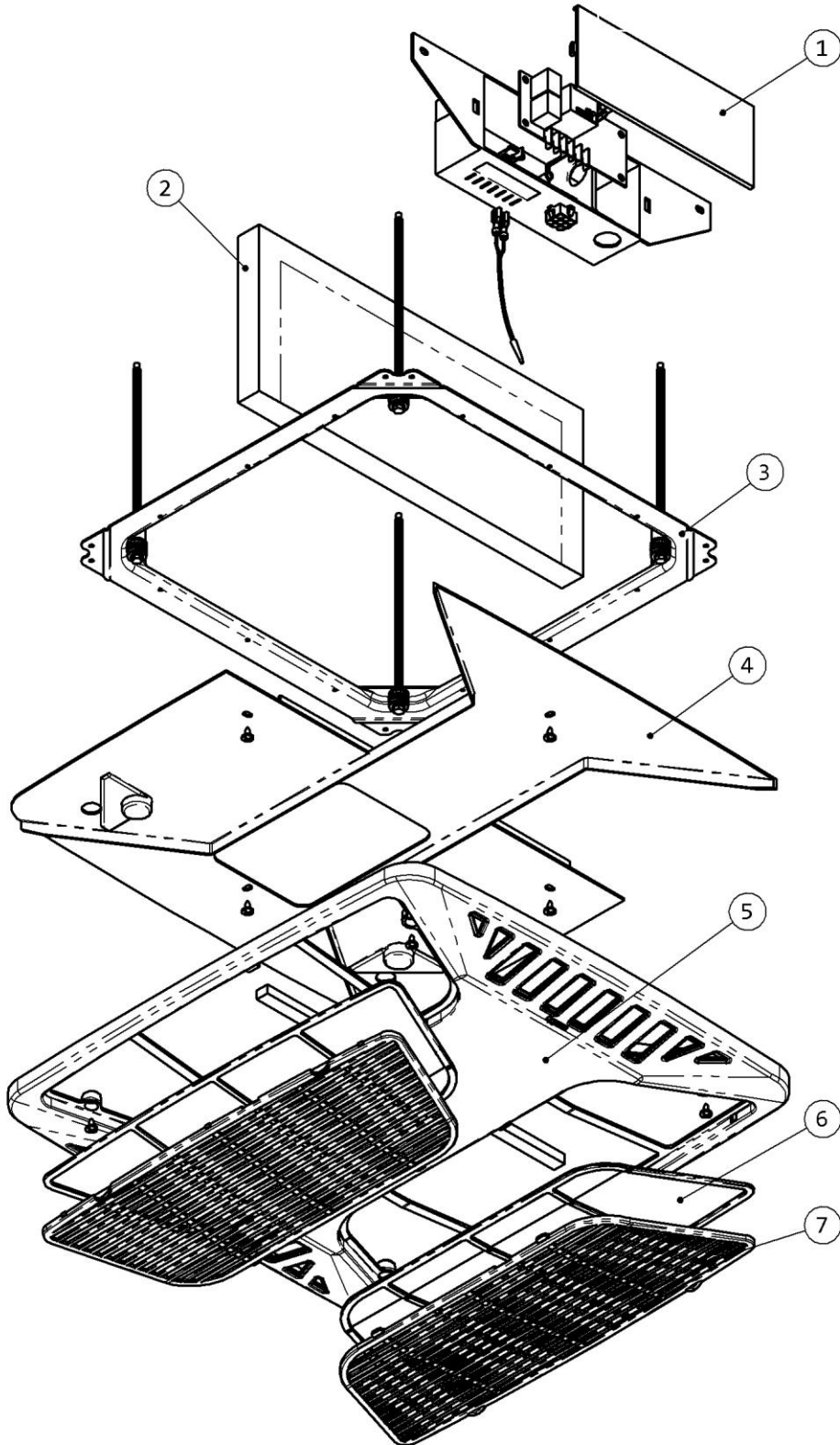
WRITTEN CORRESPONDENCE

All written correspondence (no parts) should be sent to the following address:

RV Products
A Division of Airxcel, Inc.
Dept. 546
P.O. Box 4020
Wichita, KS 67204

Coleman is a registered trademark of The Coleman Company, Inc. used under license. Mach is a registered trademark.

8430A633
8430A6332



8430A633
8430A6332



CODE	USED ON MODEL	PART NUMBER	DESCRIPTION	NO. REQUIRED
1.	All	8330-3851	Control Box	1
2.	8330A633	8330-3501	Duct Divider	1
3.	All	8333A1031	Mounting Frame & Bolt Package	1
4.	All	8430A372	Chute	1
5.	All	8430A371	Chill Grille Shroud	1
6.	All	8430-3691	Filter Repair Package	1
7.	All	8430-3701	Return Air Grille	1
ns	All	8430-590	Small Parts Package	1
ns	All	8430-373	Slide	2

ns = not shown

SPECIAL ORDER PARTS:

NOTE: All parts with three digit suffix numbers are "Special Order" parts. These parts are subject to factory availability and require extra time for delivery.