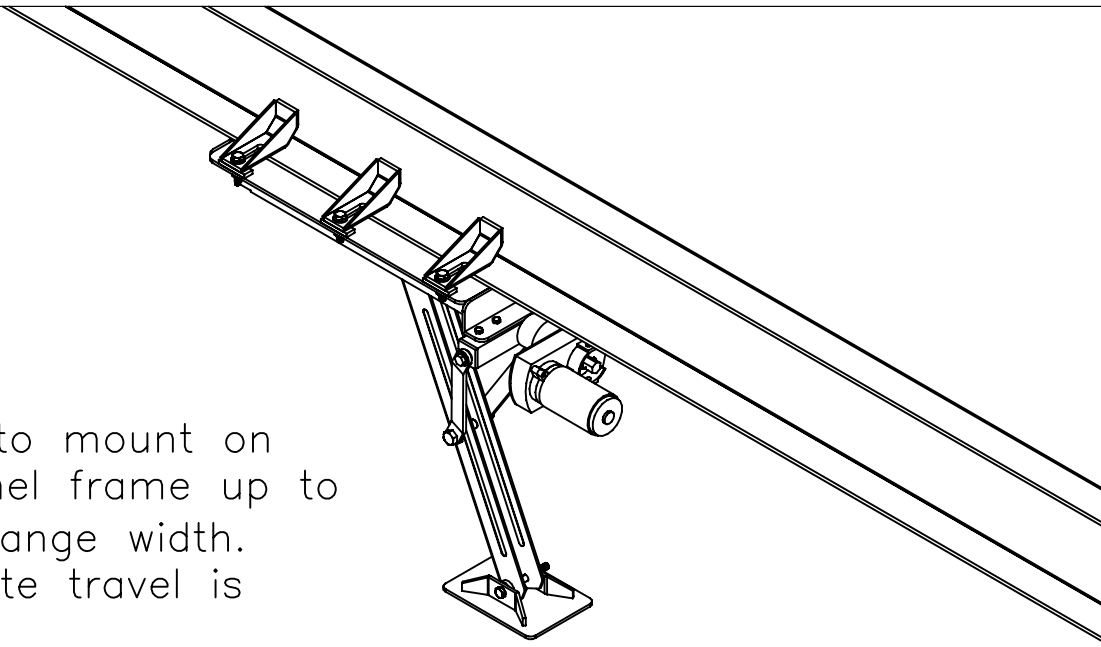
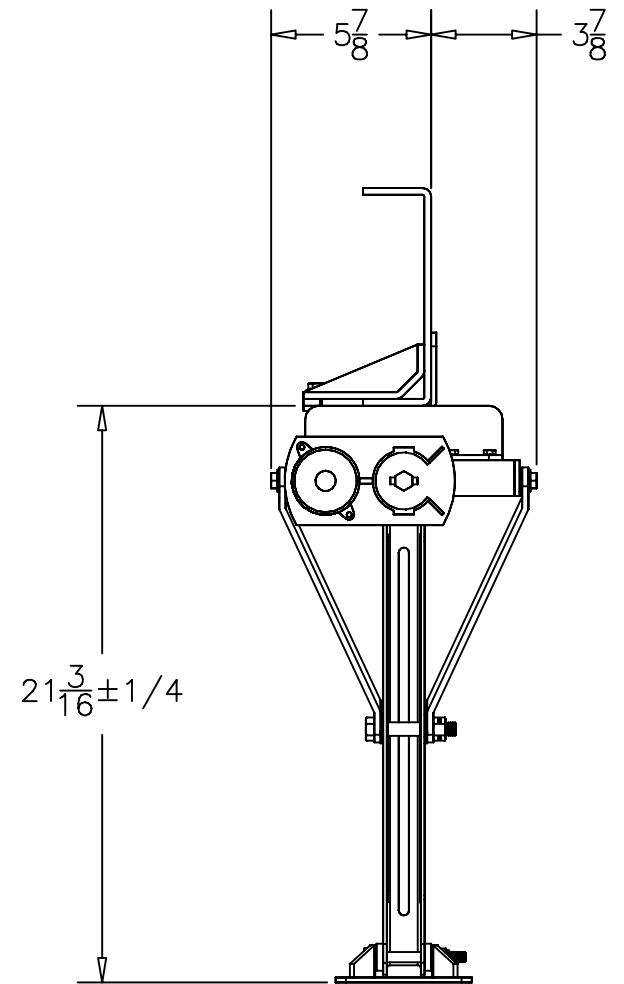


Bottom of frame rail.



Designed to mount on any channel frame up to a 3 3/4" flange width. Approximate travel is 16 1/2".



7588 STABI-LITE leg on 7592PS Class "C" mount bracket. 7592DS (driver side) is opposite hand.

Equalizer

55169 COUNTY ROAD 3
ELKHART, IN 46515

#	REVISIONS	BY:	DATE:

UNLESS OTHERWISE SPECIFIED:
TOLERANCES:
.XXX ± 0.010
.XX ± 0.010
.X ± 0.030
ANG. ± 1/2"
REMOVE ALL BURRS AND SHARP EDGES .015 MAX

TITLE			USED ON:		
STABI-LITE GENERAL DIMENSIONS			STABI-LITE SYSTEMS		
SIZE	SCALE	MATERIAL			
A	1: 1				
DRW BY:	DATE:	PART NAME:			
SJ	6/25/13	STABI-LITE (CLASS "C") ASSEMBLY			
APP'D BY:	DATE:	PAGE:	DWG NO.:	REV:	
		1 OF 1	7592PS/7588		

NOTICE - This drawing, including principles of design, is the property of Days Corporation, Elkhart, Indiana, with the agreement that it is not to be reproduced, copied, or loaned in any manner that may constitute a detriment directly or indirectly to Days Corporation. Acceptance of this will be construed as an agreement of the above.