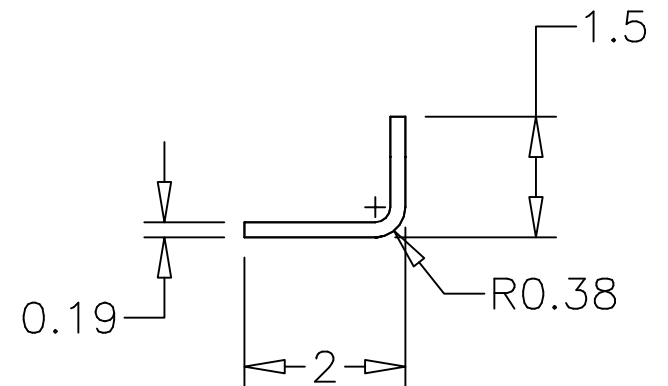
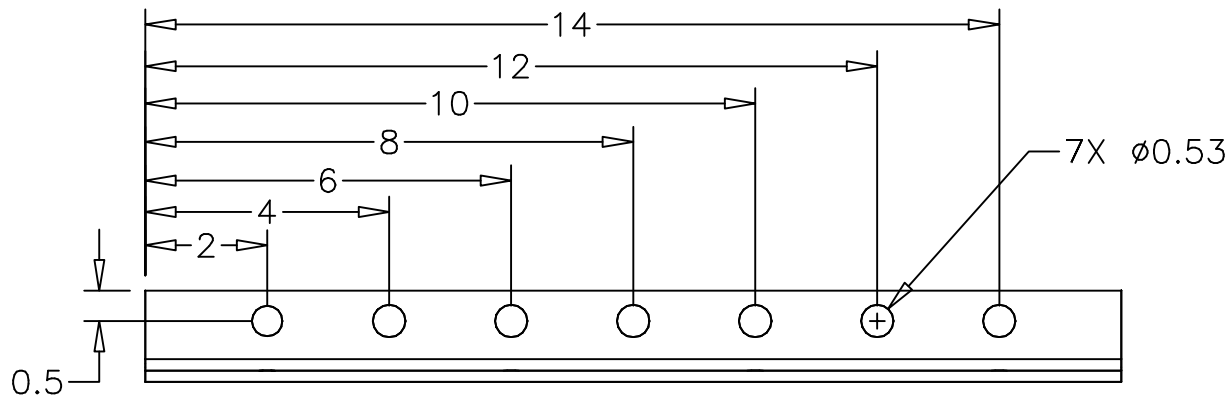


NOTE: POWDER COAT BLACK



Equalizer

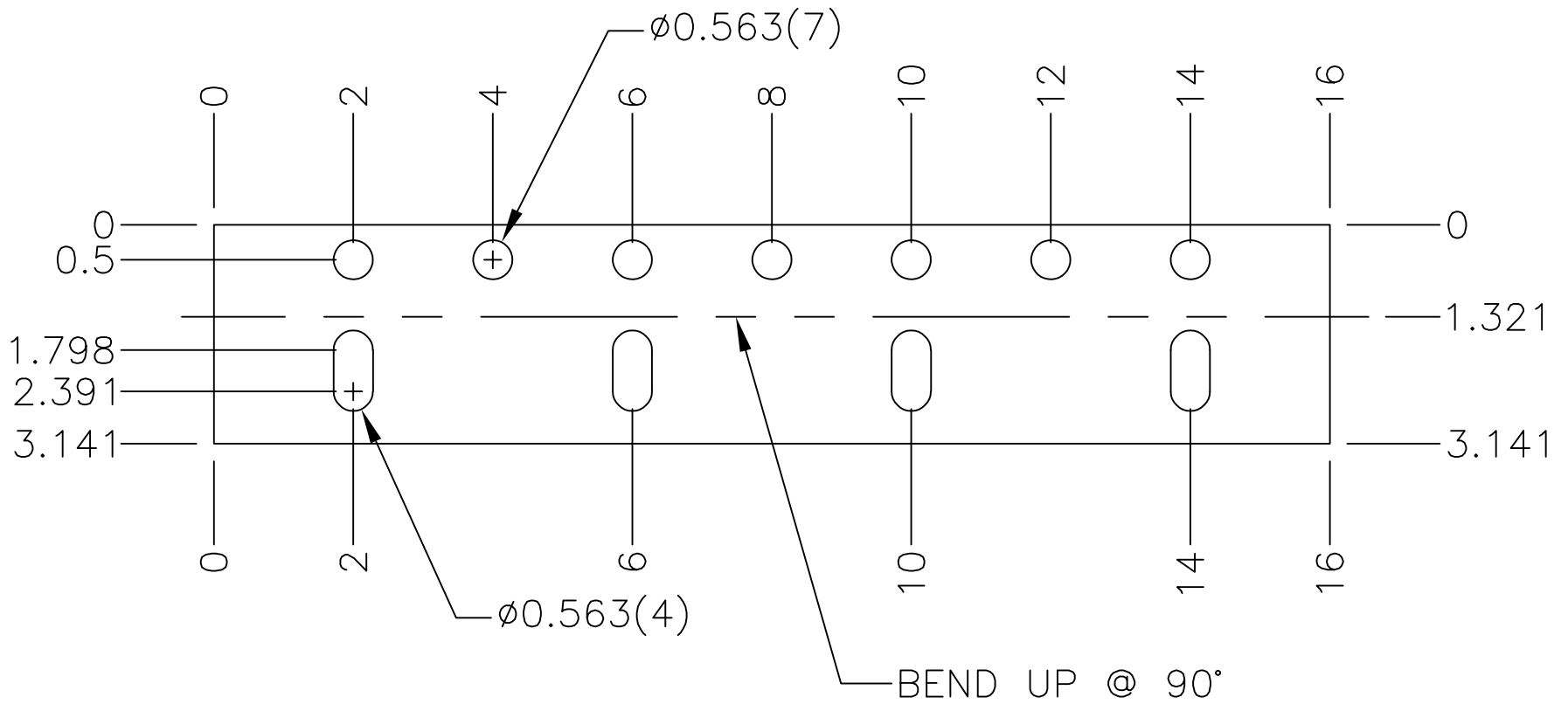
55169 COUNTY ROAD 3
ELKHART, IN 46515

NOTICE - This drawing, including principles of design, is the property of Days Corporation, Elkhart, Indiana, with the agreement that it is not to be reproduced, copied, or loaned in any manner that may constitute a detriment directly or indirectly to Days Corporation. Acceptance of this will be construed as an agreement of the above.

#	REVISIONS	BY:	DATE:
A	Changed .5 dia holes to .53	SJ	2/11/10
B	Added flat layout with bend lines.	SJ	9/21/16

UNLESS OTHERWISE SPECIFIED:
TOLERANCES:
.XXX ± 0.010
.XX ± 0.010
.X ± 0.030
ANG. ± 1/2"
REMOVE ALL BURRS AND SHARP EDGES .015 MAX

TITLE			USED ON:	
UNIVERSAL MOUNT ANGLE			AM LEGS	
SIZE	SCALE	MATERIAL		
A	1:1	HOT ROLLED STEEL		
DRW BY:	DATE:	PART NAME:		
NFC	11/12/02	BRACKET-UNIVERSAL ANGLE MOUNT		
APP'D BY	DATE:	PAGE:	DWG NO.:	REV:
-	-	1 OF 2	1767	B



Note: Material 7ga.
65 parts from 48" x 96" sheet

Equalizer

55169 COUNTY ROAD 3
ELKHART, IN 46515

#	REVISIONS	BY:	DATE:
A	Changed .5 dia holes to .53	SJ	2/11/10
B	Added flat layout with bend lines.	SJ	9/21/16

UNLESS OTHERWISE SPECIFIED:
TOLERANCES:
.XXX ± 0.010
.XX ± 0.010
.X ± 0.030
ANG. ± 1/2"
REMOVE ALL BURRS AND SHARP EDGES .015 MAX

TITLE		USED ON:	
UNIVERSAL MOUNT ANGLE		AM LEGS	
SIZE	SCALE	MATERIAL	
A	1:1	HOT ROLLED STEEL	
DRW BY:	DATE:	PART NAME:	
NFC	11/12/02	BRACKET-UNIVERSAL ANGLE MOUNT	
APP'D BY	DATE:	PAGE:	DWG NO.:
-	-	2 OF 2	1767
			REV: B

NOTICE - This drawing, including principles of design, is the property of Days Corporation, Elkhart, Indiana, with the agreement that it is not to be reproduced, copied, or loaned in any manner that may constitute a detriment directly or indirectly to Days Corporation. Acceptance of this will be construed as an agreement of the above.