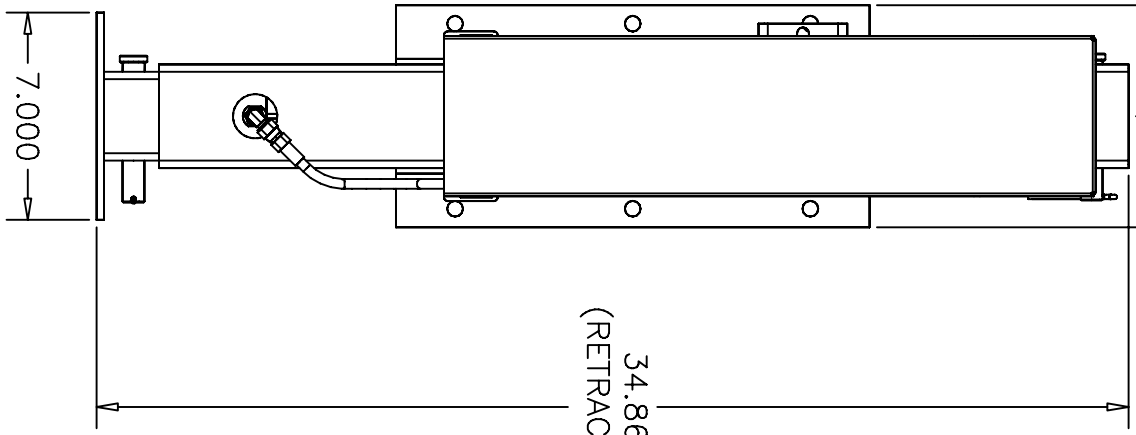


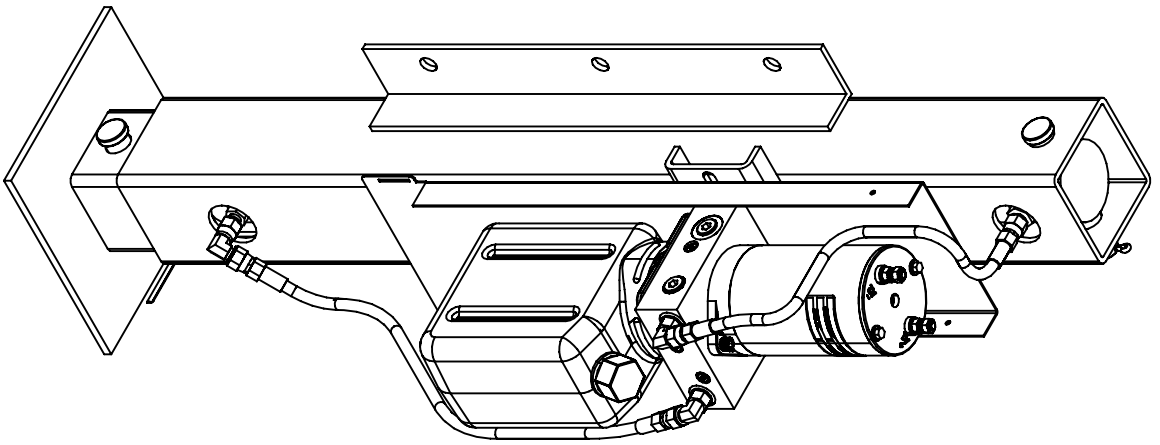
3.750

3.750

34.860
(RETRACTED)



COVER REMOVED IN THIS
VIEW FOR CLARITY.



Equalizer

55169 COUNTY ROAD 3
ELKHART, IN 46515

NOTICE - This drawing, including principles of design, is the property of Days Corporation, Elkhart, Indiana, with the agreement that it is not to be reproduced, copied, or loaned in any manner that may constitute a detriment directly or indirectly to Days Corporation. Acceptance of this will be construed as an agreement of the above.

#	REVISIONS

BY: DATE:

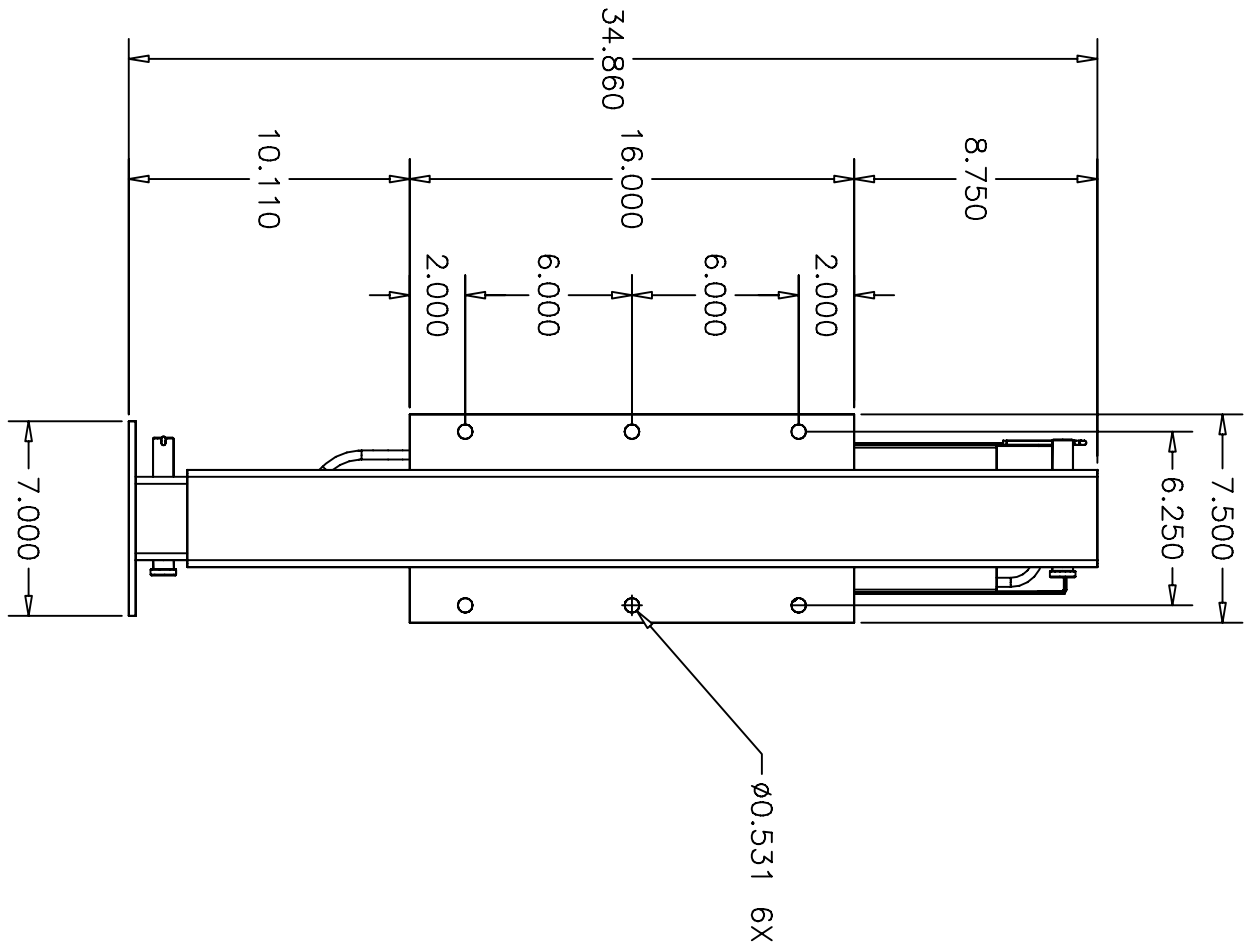
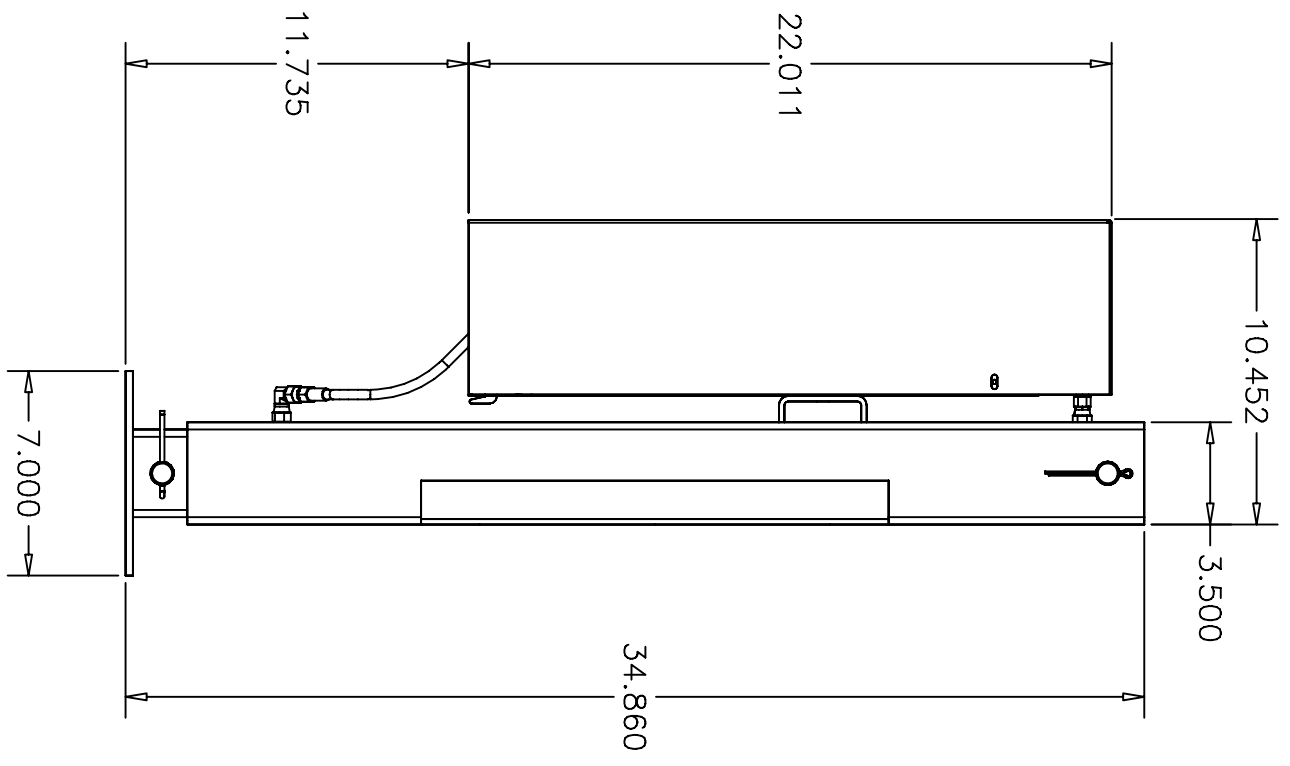
UNLESS OTHERWISE SPECIFIED:
TOLERANCES:
XXX ± 0.010
XX ± 0.010
X ± 0.030
ANG. ± 1/2°
REMOVE ALL BURRS AND SHARP EDGES .015 MAX

TITLE: 7,500 ASSEMBLY TOWABLES
USED ON:

SIZE SCALE: 1:1
MATERIAL: HOT ROLLED STEEL

DRW BY: SU DATE: 3/30/12 PART NAME: 7,500

APP'D BY: DATE: PAGE: 1 OF 2 DWG NO.: 8470 REV: -



Equalizer

55169 COUNTY ROAD 3
ELKHART, IN 46515

NOTICE - This drawing, including principles of design, is the property of Days Corporation, Elkhart, Indiana, with the agreement that it is not to be reproduced, copied, or loaned in any manner that may constitute a detriment directly or indirectly to Days Corporation. Acceptance of this will be construed as an agreement of the above.

#	REVISIONS

BY: _____ DATE: _____

UNLESS OTHERWISE SPECIFIED:
TOLERANCES:
XXX ± 0.010
XX ± 0.010
X ± 0.030
ANG. ± 1/2°
REMOVE ALL BURRS AND SHARP EDGES .015 MAX

TITLE	USED ON:
AJ 24E ASSEMBLY	TOWABLES
SIZE SCALE	MATERIAL
A 1:1	HOT ROLLED STEEL
DRW BY: SU	DATE: 12/9/08
APP'D BY: _____	DATE: _____
PAGE: 2 OF 2	DWG NO: 8470E
REV: _____	REV: _____