

AIR-VANTAGE

DOMETIC TO COLEMAN-MACH DUCTED ROOF TOP ADAPTER KIT

for Air Conditioner and/or Heat Pump Air Conditioner Replacements

INSTALLATION INSTRUCTIONS:

NOTE: Before proceeding, turn off all power to the unit (115 VAC and 12 VDC).

Step 1: Remove Dometic rooftop unit

- A. Remove grille, filter and screw covers from interior shroud.
- B. Detach control box from mount plate.
- C. Unplug unit wire harness from control box.
- D. **ON HEAT PUMPS ONLY:** Unplug condenser coil probe from control box.
- E. Remove evaporator coil probe from coil fins.
- F. Remove mount plate. Remove rooftop unit and set aside. (These will **NOT** be used)

Step 2: Fitting Coleman-Mach divider board

- G: Place Coleman-Mach rooftop unit over roof opening. Measure distance "A" from unit base pan to inside of ceiling.
- H: Cut height of divider board to distance "A" plus 0.5". Cut only from bottom edge of divider

Step 3: Mounting Coleman-Mach rooftop unit

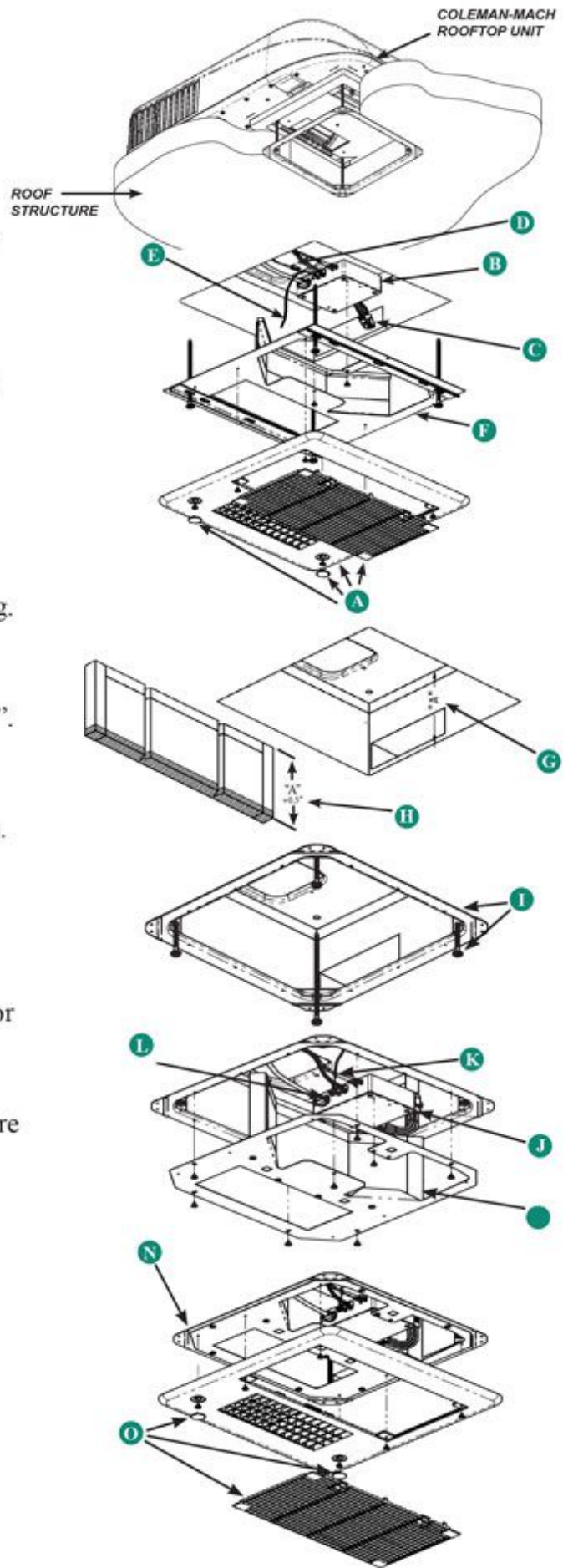
- I: Install unit mount frame. Tighten 4 bolts until secure.

Step 4: Attach Dometic Controls to Coleman-Mach unit

- J: Attach supplied wire adapter to control box & plug wire harness into adapter.
- K: Insert evaporator coil probe into coil fins.
- L: **ON HEAT PUMPS ONLY:** Attach supplied resistor plug for outdoor coil probe.
- M: Fold divider board & place into channels. Press adapter plate in roof opening against mount frame. Secure with screws. Secure control box to adapter plate with screws.

Step 5: Finishing Installation

- N: Attach shroud to adapter plate.
- O: Attach filter & grill with screws.
- P: Reapply power to unit. (115 VAC & 12VDC)



RV Products

A Division of AIRXCEL

3050 N. St. Francis • Wichita, Kansas 67219
316.832.3400 • www.AIRXCEL.com