



**REPAIR PARTS LIST  
FOR  
9430-4552  
FREE DELIVERY  
CEILING ASSEMBLY**

---

**WARRANTY INFORMATION**

**PARTS RETURN**

“Air Conditioning” in-warranty parts subject to return to RV Products must be sent prepaid to the following address. Always include your company’s claim or workorder along with RVP’s invoice generated from the shipment of the replacement part.

RV Products  
A Division of Airxcel, Inc.  
Attn: Warranty Return  
3050 N. St. Francis  
Wichita, KS 67219

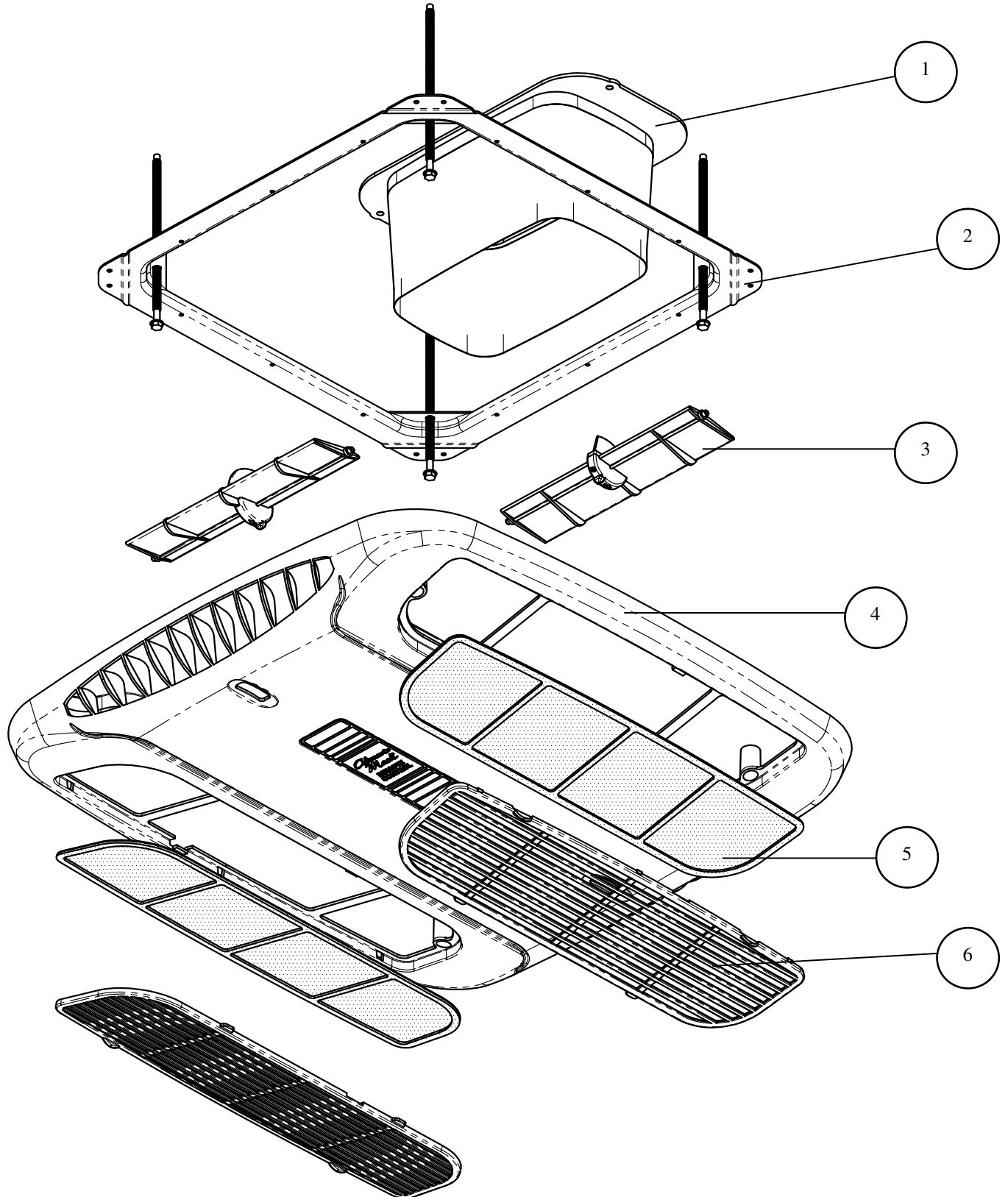
**WRITTEN CORRESPONDENCE**

All written correspondence (no parts) should be sent to the following address:

RV Products  
A Division of Airxcel, Inc.  
Dept. 546  
P.O. Box 4020  
Wichita, KS 67204

Coleman is a registered trademark of The Coleman Company, Inc. used under license. Mach is a registered trademark.

9430-4552



9430-4552



CODE	USED ON MODEL	PART NUMBER	DESCRIPTION	NO. REQUIRED
1.	All	9330A4541	Fabric Duct Collar (Air Duct Assy)	1
2.	All	8333A1031	Mounting Frame and Bolt Kit	1
3.	All	9430A3051	Vane Package	1
4.	All	9430-323	Chute	1
5.	All	9430-3091	Filter Repair Package	1
6.	All	9430-4071	Return Air Grille Black	1
ns	All	8430-498	Small Parts Package	1

ns = not shown

**SPECIAL ORDER PARTS:**

**NOTE:** All parts with three digit suffix numbers are “Special Order” parts. These parts are subject to factory availability and require extra time for delivery.

R-641 (1-15)