



Time Tested • Time Proven

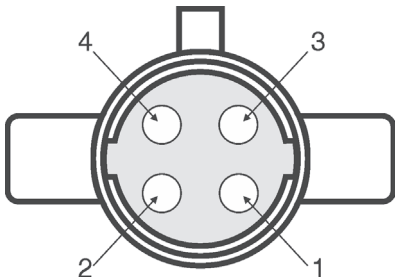
Plug and socket wiring diagrams

854959-01 10.14

All specifications are subject to change without notice.

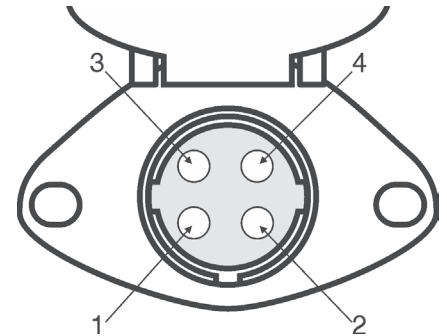
ROADMASTER, Inc. 6110 NE 127th Ave. Vancouver, WA 98682 800-669-9690 Fax: 360-735-9300 www.roadmasterinc.com

The plugs on ROADMASTER power cords have been wired to standard electrical codes. Before connecting the plugs, use a test light to verify that the motorhome and towed vehicle socket wiring matches the diagrams for the plugs

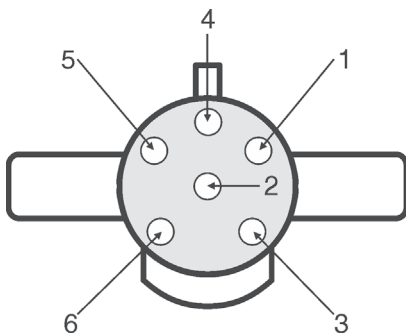


front of 4-wire plug

Pin Number	Wire Color	Motorhome/ Towed Vehicle
1	White	Ground
2	Brown	Taillights
3	Yellow	Left Turn/Stop
4	Green	Right Turn/Stop

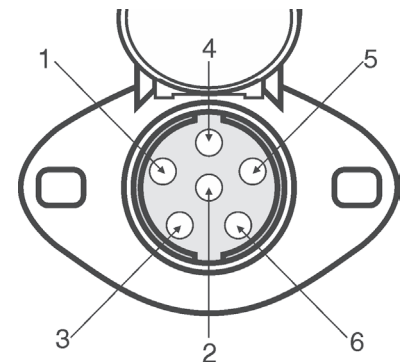


front of 4-wire socket

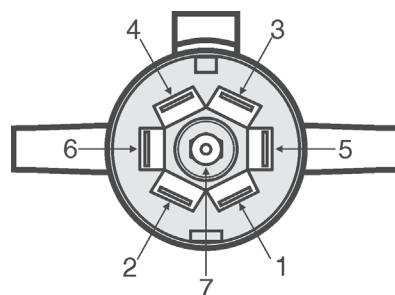


front of 6-wire plug

Pin Number	Wire Color	Motorhome/ Towed Vehicle
1	Blue	Brake monitor light (electric trailer brakes)
2	Black	Auxiliary/Charge
3	Green	Right Turn/Stop
4	Brown	Taillights
5	White	Ground
6	Yellow	Left Turn/Stop



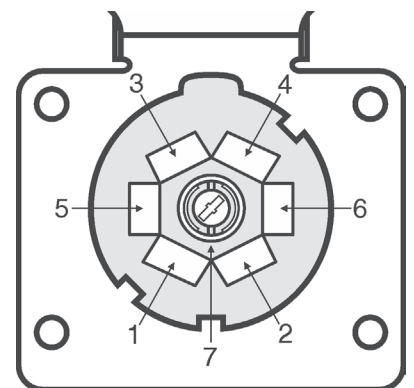
front of 6-wire socket



front of 7-wire plug

Pin Number	Socket Code	Roadmaster wire code	Motorhome/ Towed Vehicle
1	White	White	Ground
2	Blue	Blue	Brake monitor light (electric trailer brakes)
3	Green	Brown	Taillights
4	Black	Black	Charge line
5	Red	Yellow	Left turn/stop
6	Brown	Green	Right turn/stop
7	Yellow	N/A*	Auxiliary/Access

* N/A means this socket is not used in this wiring configuration.



front of 7-wire socket