

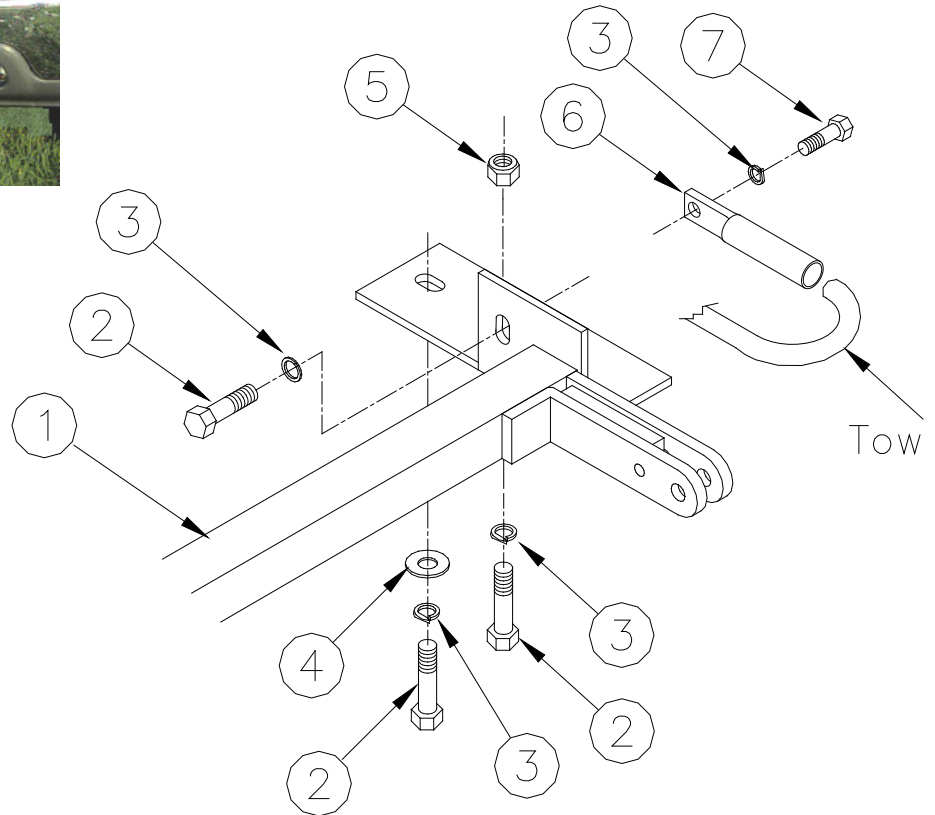


**BX1633 Installation Instructions**  
**2000-02, 05-06 Chevrolet Pick Up 1500 HD (2/4WD)**  
**1999NS-02 Chevrolet Pick Up 2500/ 3500 (2/4WD)**  
**2001-02 Chevrolet Suburban 2500**  
**2001-02 GMC Pickup 1500 HD (2/4WD)**  
**2001-02 GMC Pickup 2500/ 3500 (4WD)**  
**2000-02 GMC Yukon XL 2500 (4WD)**  
**2001-02 GMC Yukon Denali 2500 (4WD)**

The baseplate mounts to the main frame, using two holes of the tow hooks and two holes are drilled for installation. The lower bumper molding should be removed for installation. This vehicle weighs over 5000lbs. and requires a Class IV rated tow bar and safety cables.

1. Remove the plastic push pins that hold the lower plastic from the metal bumper and pull plastic off. **NOTE: This is not necessary, but will make the installation and trimming easier.**
2. Remove the inside and bottom bolts from each tow hook. Hold the baseplate (Item 1) up to the frame so bolt holes align with the tow hook bolt holes. Using the 12mm-1.75 x 50mm bolts, lock and flat washer (Item 2, 3 and 4). Apply Loctite and thread back into the tow hooks. As shown in drawing on Page 2. Tighten and torque each bolt according to the chart in the General Instruction Sheet.
3. Notice and drill the 1/2" holes in the bottom of the baseplate. Use the 12mm-1.75 x 50mm bolts, lock and flat washer and nut (Item 2, 3, 4 and 5). Apply Loctite and thread back into the tow hooks. As shown in drawing on Page 2. Tighten and torque each bolt according to the chart in the General Instruction Sheet.
4. Remove the remaining Hex bolt (outside bolt) that holds the tow hooks. Take the tow hook closure (Item 7) and slide the open end over the end of the trucks tow hook. The other end bolts back to the bolt hole for the tow hook. Use the 40mm bolt, lock and flat washer (Item 6, 2 and 3) with the closures. Be sure to use Loctite with bolts.
5. Replace the bumper molding, the inside area on plastic openings where the attachment tabs should extend through need to be trimmed.
6. **DEALER OR INSTALLER: BE CERTAIN THE USER RECEIVES THE INSTRUCTION SHEET.**





### Tools Required

Utility Knife  
19MM Wrench

Loctite 1/2" Drill Bit  
Flat Head Screwdriver

### Parts List

| Ref. No. | Qty. | Part No. | Description                          |
|----------|------|----------|--------------------------------------|
| 1        | 1    | 61-5377  | Baseplate, BX1633                    |
| 2        | 6    | 201-0415 | 12mm-1.75 x 50mm Hex Bolt, Grade 8.8 |
| 3        | 8    | 203-0105 | 12mm Lock Washer                     |
| 4        | 8    | 203-0112 | 12mm Flat Washer                     |
| 5        | 2    | 202-0117 | 12mm Hex Nut                         |
| 6        | 2    | 107-2269 | Tow Hook Closure, BX1633             |
| 7        | 2    | 201-0669 | 12mm-1.75 x 40mm Hex Bolt, Grade 8.8 |
| 8        | 2    | 107-2495 | Tow Hook Closure, BX1633(Not Shown)  |

**IMPORTANT:** Use only genuine factory replacement parts on your Base Plate. Do not substitute homemade or non-typical parts. If a bolt is lost or in need of replacement, for your safety and the preservation of your Base Plate, be sure to use a replacement bolt of the same grade (Usually Grade 5, refer to parts list). Repair parts may be ordered through your nearest Blue Ox dealer or distributor.