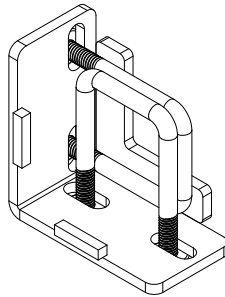
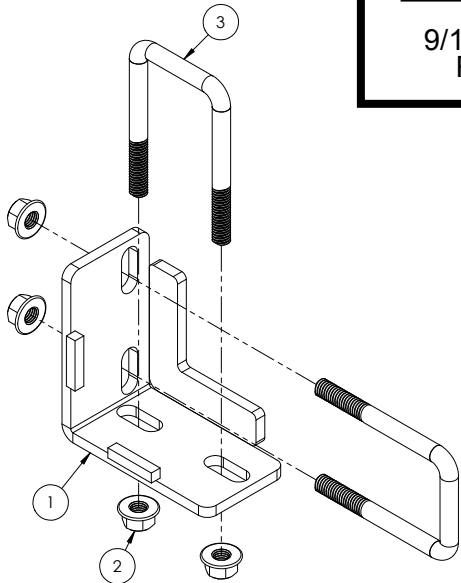




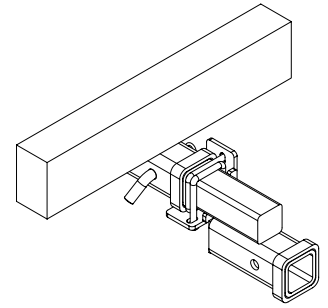
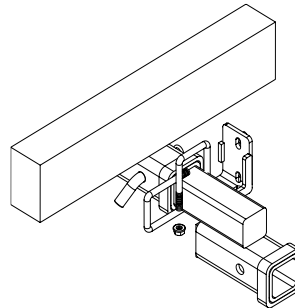
# BX88312 Immobilizer III 2 1/2" to 2" Installation Instructions

The BX88312 Immobilizer III is design to be used on 2 1/2" receivers with a 2" adapter. The Immobilizer III eliminates or greatly reduces movement of the receiver shank.

**Tools Required**  
9/16" Socket Ratchet



1. Insure the drop receiver or tow bar is pinned into receiver.
2. Remove the u-bolts from the immobilizer. Position the immobilizer so the key stock pieces are flush with the back side of the receiver hitch lip.
3. Install the U-bolts and whiz nuts. Once the u-bolts are flush against the shank fully tighten both u-bolts in an alternating pattern.



Item No.	Part No.	Description	Qty.
1.....	61-7433.....	2 1/2" to 2" Immobilizer III.....	1
2.....	202-0071.....	3/8"-16 Hex Flange Whiz Lock Nut, ZP.....	4
3.....	201-0990.....	3/8"-16 x 3-1/2" x 2" U-Bolt, ZP.....	2

**Important:**

Do **NOT** substitute homemade or non-typical parts. Replacement parts may be ordered through your nearest Blue Ox® Dealer or Distributor. Failing to follow and/or altering these installation instructions in either installation or required equipment will void the manufacturer's warranty.

## CUSTOMER SERVICE COMMITMENT

Blue Ox® is committed to providing you with exceptional customer care throughout your lifetime with our products. Our team is here to assist you with any questions you may have regarding the performance of your product. Simply call (402) 385-3051 and you can speak with our customer care team.

Additionally, please visit our website to see which rallies our Destination America team will be attending. For a nominal fee, our service technician will service your towing system to ensure it's in proper working condition. Also, as a commitment to our customers, should you visit our factory, you can stay at our full service Blue Ox® campground at no charge along with enjoying a factory tour.

Again, thank you for being our customer and for the confidence you have shown in the performance of our products. It is because of customers like you we enjoy the success we have today.

© 2015 Blue Ox  
One Mill Road, Industrial Park  
Pender, Nebraska 68047  
Phone: (402) 385-3051  
Fax: (402) 385-3360  
www.blueox.com