



**BXR4111**  
Reese 20K Pro Series  
Models #30118 & #30083  
Installation Instructions

Serial Number



The act of uncoupling your fifth wheel trailer can be one of the most dangerous tasks performed when RVing. Accidents can cause broken bones, severed limbs and even death by crushing. Such accidents can be avoided by following a few simple steps:

- Chock your trailer wheels
- Extend your front jacks until you see no weight is on the hitch
- **NEVER** place any part of your body between the trailer frame and tow vehicle or hitch

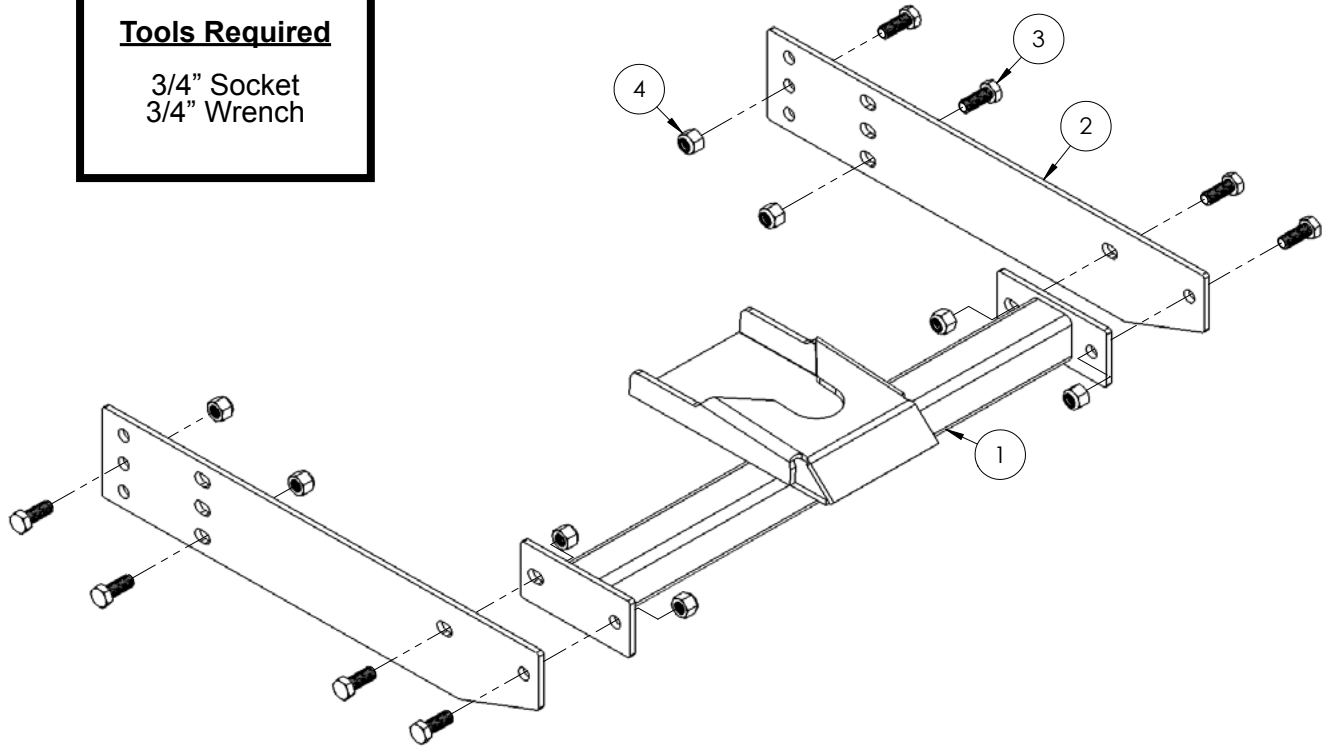
#### Safety Information

1. Blue Ox® strongly recommends Dealer installation.
2. Do not attempt to install this product without reading these instructions.
3. **Warning!** Failure to install this product properly can result in damage to your fifth wheel trailer, tow vehicle, fifth wheel hitch and/or cause bodily injury.
4. The BedSaver™ should be inspected for damage after each use.

If the BedSaver™ is in an accident it must be replaced. **DO NOT** use it again! An accident, no matter how minor, can cause unseen damage. Using the BedSaver™ again could result in more damage or serious injury. **DO NOT** use the BedSaver™ if missing parts.

**BXR4111**  
**Reese 20K Pro Series Models #30118 & #30083**  
**Installation Instructions**

**Tools Required**  
 3/4" Socket  
 3/4" Wrench

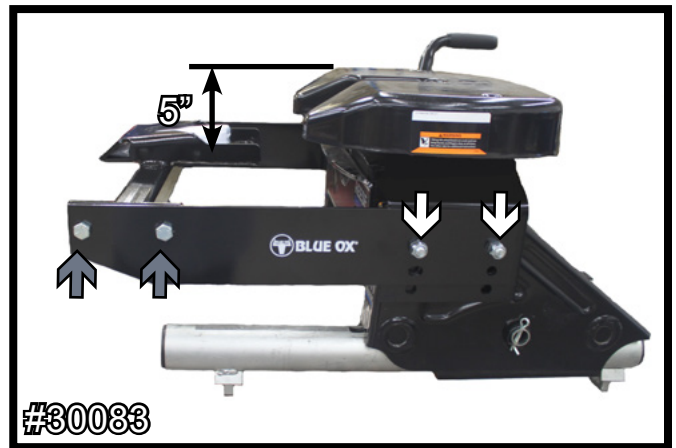
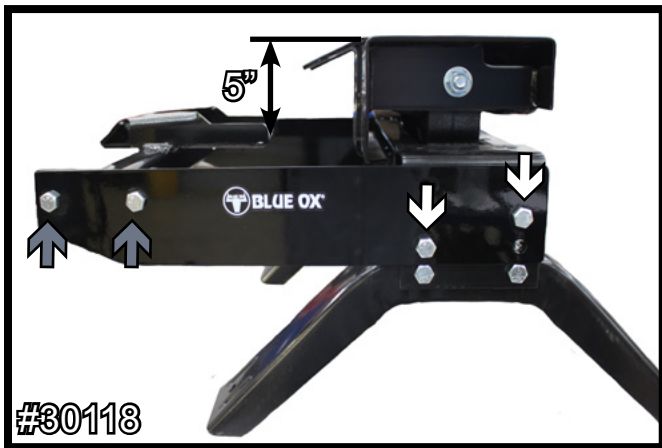


Item No.	Part No.	Description	Qty.
1.....	61-6110 .....	BXR4111 Bedsaver™ X-Tube, 24-1/4" .....	1
2.....	101-8186 .....	BXR4111 Bedsaver™ Side Plate .....	2
3.....	201-0011 .....	1/2"-13 x 1-1/4" Hex Head Bolt, Grade 5, ZP .....	8
4.....	202-0094 .....	1/2"-13 Hex Nylon Lock Nut, ZP .....	8

**IMPORTANT:** Use only genuine factory replacement parts on your bracket kit. Do not substitute homemade or nontypical parts. If a bolt is lost or in need of replacement, for your safety and the preservation of your bracket kit, be sure to use a replacement bolt of the same grade. Repair parts may be ordered through your nearest **Blue Ox**® Dealer or Distributor.

<b>Bolt Torque Specifications</b>		
Torque in Foot-Pounds for Inch Bolts		
Bolt Size	Grade 5	Grade 8
1/4"	10	14
5/16"	19	29
3/8"	33	47
7/16"	54	78
1/2"	78	119
5/8"	154	230
3/4"	257	380

BXR4111  
Reese 20K Pro Series Models #30118 & #30083  
Installation Instructions



1. Install the side plates onto the hitch, using two (2) 1/2"-13 x 1-1/4" bolts and 1/2"-13 lock nuts per side and tighten down (white). Install the x-tube in between the side plates, using two (2) 1/2"-13 x 1-1/4" bolts and 1/2"-13 lock nuts per side and tighten down (gray).

Note: The hitch shown on the left is in its highest position, which does not require removal of the factory hitch bolts. If the hitch height needed is lower than shown, the hitch bolts will need to be removed and the side plates bolted to the hitch with these bolts and the 1/2"-13 x 1-1/4" bolts at the desired hitch head height. While maintaining a approximate height of 5" from the top of the hitch head to the catch pocket of the Bedsaver™.

## CUSTOMER SERVICE COMMITMENT

Blue Ox® is committed to providing you with exceptional customer care throughout your lifetime with our products. Our team is here to assist you with any questions you may have regarding the performance of your product. Simply call (402) 385-3051 and you can speak with our customer care team.

Additionally, please visit our website to see which rallies our Destination America team will be attending. For a nominal fee, our service technician will service your towing system to ensure it's in proper working condition. Also, as a commitment to our customers, should you visit our factory, you can stay at our full service Blue Ox® campground at no charge along with enjoying a factory tour.

Again, thank you for being our customer and for the confidence you have shown in the performance of our products. It is because of customers like you we enjoy the success we have today.

© 2013 Blue Ox  
One Mill Road, Industrial Park  
Pender, Nebraska 68047  
Phone: (402) 385-3051  
Fax: (402) 385-3360  
www.blueox.com