



**BLUE OX**

**BXR7200**

**Super Ride 20K 5<sup>th</sup> Wheel Hitch**  
(Attaches to Industry Standard Bed Rails)  
Installation Instructions

Serial Number

**Please read these Installation Instructions in their entirety prior to installing or operating this equipment.**



**This hitch is rated to 20,000 lbs. Gross Towing Weight  
and 5,000 lbs. Tongue Weight  
For ISR tab spacing: 29" wide x 22" front to back**



**WARNING**

Refer to your vehicle's owner's manual for maximum towing capacity. DO NOT exceed vehicle, tongue or hitch weight ratings - failure to follow vehicle manufacturer's recommendations could result in damage to your vehicle, personal injury or death. Ensure that the industry standard rail system is properly installed to accommodate the truck and trailers maximum towing capacity.



**WARNING**

Failure to read and follow these instructions could result in separation of the trailer from the truck, causing property damage, loss of towed vehicle, personal injury or death.

BXR7200  
Super Ride 20K 5th Wheel Hitch  
(Attaches to Industry Standard Bed Rails)  
Installation Instructions



- Trailer brakes are required.
- Without proper information, towing can be dangerous. Understand all risks involved with towing before starting. For more information on towing safety, see “**The Trailer Handbook: A Guide to Understand Trailer and Towing Safety**” from the *National Association of Trailer Manufacturers*, [www.NATM.com](http://www.NATM.com).
- Do not alter this product in any way. Modifying this product could change the integrity and lead to a loss of connection between the trailer and the tow vehicle.
- Check that all bolted connections are at the correct torque specification on a regular basis. Complete a visual inspection before towing each time.
- Ensure that installation is performed by someone who is aware of the risks and has knowledge of hazards and proper safety procedures involved with adding components to the chassis of a vehicle and the tools needed for installation.
- Make sure that the bed of the truck is clean of dirt and debris before starting installation.
- While moving the truck and trailer in the maneuvering position use extreme caution. Do not exceed 5 mph while in the maneuvering position. Failure to follow speed limitations may lead to property damage, injury or death.
- Do not tow while in the maneuvering position. This is only intended for parking maneuvers and using the maneuvering position in any way other than intended may cause property damage, injury or death.
- While the vehicle is in motion do not hold or force the handle in any direction. Stand clear of the handle while the slider is in operation. Failure to do so may result in serious injury.
- Roughly 15-25% of the weight of the trailer should be on the hitch.
- Always insure the hitch ball is locked into the hitch prior to towing.
- Super Ride is not intended for use on a flat bed truck.

### ***Maintenance/Care***

- Periodically clean any dirt/debris from the hitch slots and jaws. Moderately lubricate them with white lithium grease or equivalent grease.

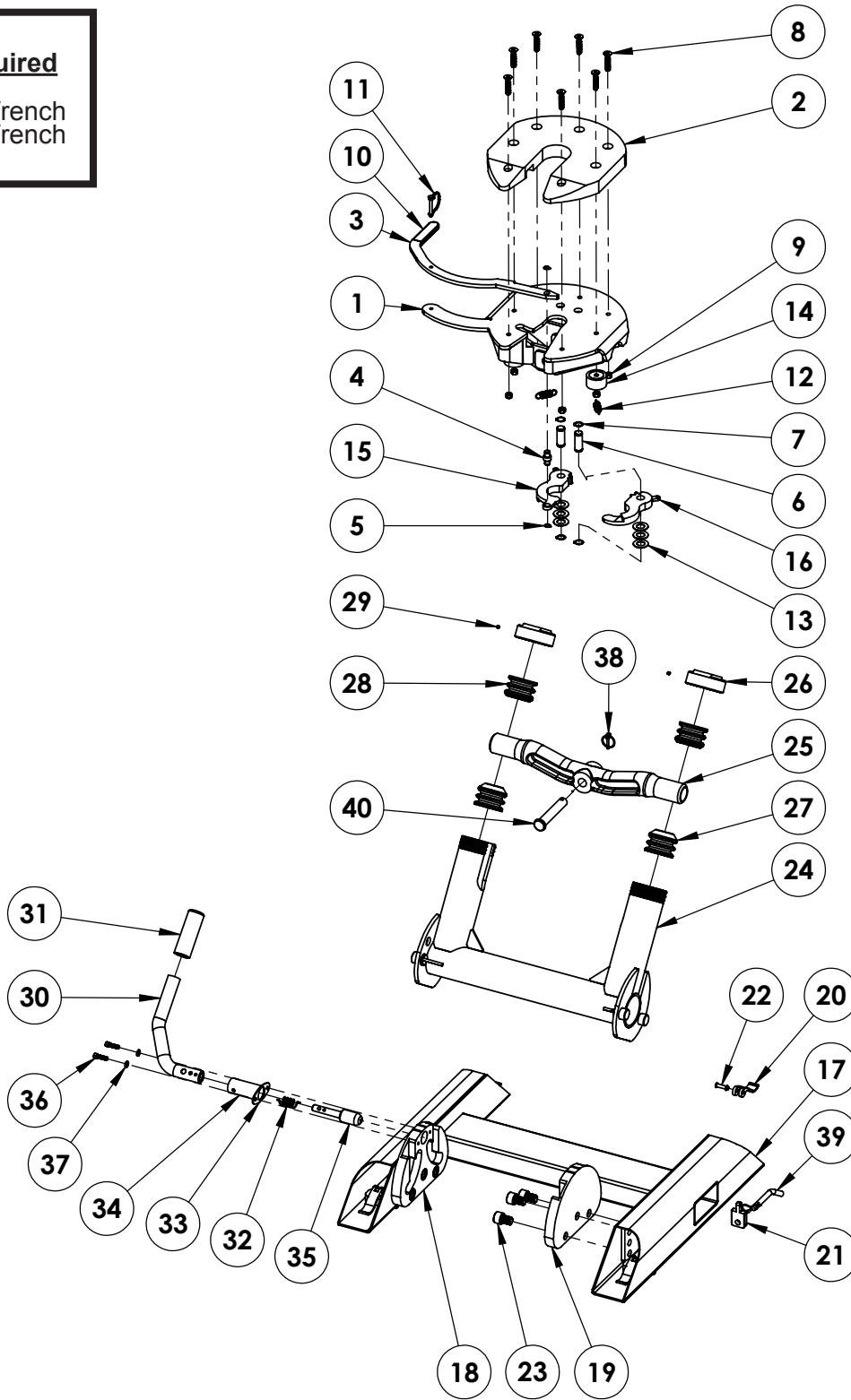
### ***NOTICE***

- If a removable bed liner is installed, it should be removed or modified to allow the hitch to contact the bed directly. Spray-in bed liners are permissible.
- Do not use any devices that change the king pin pivot point. The king pin should rotate in the hitch coupler jaws.
- It is recommended to always check the clearances between the truck cab and trailer in both towing and maneuvering positions. Measuring from the center of the coupler to the back of the cab and from the center of the king pin to the corner of the trailer will show the available clearances. It is also recommended to check clearances between the bed sides and underside of trailer to allow for any pitch of the trailer and that the trailer is level as possible during towing.
- The gooseneck ball must be properly locked in position.
- Dealer or installer be certain the user receives these instruction sheets.
- If the hitch is in an accident, it must be replaced. DO NOT use it again! An accident can cause unseen damage and using it again could result in more damage or serious injury. **DO NOT** use the hitch if it is damaged or missing parts.

**BXR7200**  
**Super Ride 20K 5th Wheel Hitch**  
**(Attaches to Industry Standard Bed Rails)**  
**Installation Instructions**

**Tools Required**

1/4" Allen Wrench  
 5/8" Allen Wrench



**Important:**

Use only genuine factory replacement parts on your hitch. Do **NOT** substitute homemade or non-typical parts. If a bolt is lost or in need of replacement, for your safety and the preservation of your hitch, be sure to use a replacement bolt of the same grade (In most cases it will be Grade 5, please reference the parts list above). Replacement parts may be ordered through your nearest Blue Ox® Dealer or Distributor. Failing to follow and/or altering these installation instructions in either installation or required equipment will void the manufacturer's warranty.

**BXR7200**  
**Super Ride 20K 5th Wheel Hitch**  
**(Attaches to Industry Standard Bed Rails)**  
**Installation Instructions**

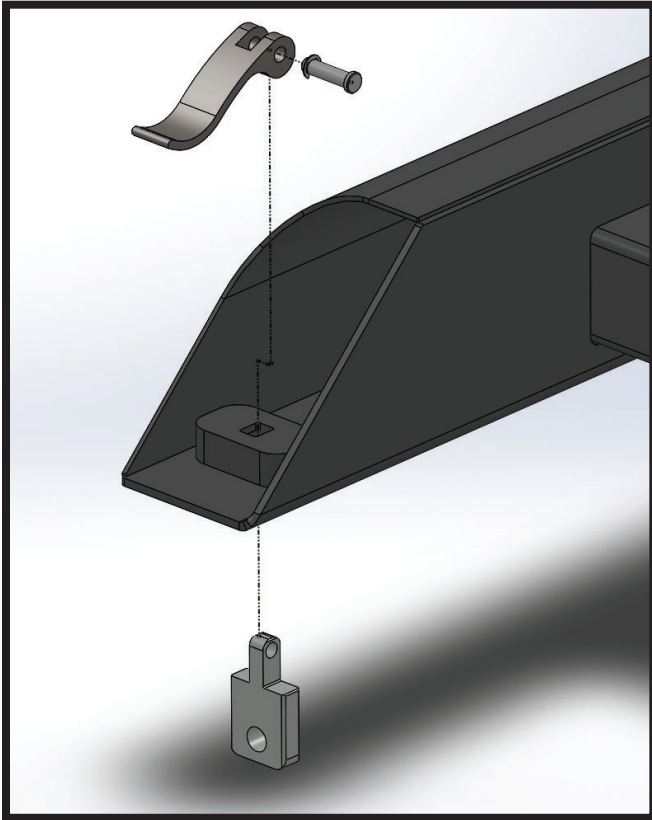
Item No.	Part No.	Description	Qty.
1	61-7651	Hitch Head	1
2	190-0211	Hitch Head Plate	1
3	299-0690	Hitch Head Latch Handle, ZP	1
4	299-0683	Hitch Head Latch Handle Pin, ZP	1
5	229-0219	1/2" External Retaining Ring	2
6	299-0684	Hitch Head Latch Pivot Pin, ZP	2
7	229-0220	3/4" External Retaining Ring	4
8	201-1029	3/8"-16 x 2" Flat Head Cap Screw, Zp	7
9	202-0050	3/8"-16 Hex Lock Nut, Center Dimple	7
10	250-0287	3/8" x 1" x 4" Black Grip	1
11	229-0380	1/4" x 2" Wire Lock Pin	1
12	222-0176	.625 OD x .069 W x 2.00 L Extension Spring, ZP	2
13	290-0360	1/16" x 13/16" x 1-1/2" Plastic Spacer	6
14	250-0293	2" x 1-1/8" Bumper with 3/8"-16 Thread	2
15	299-0702	Pawl, DS, ZP	1
16	299-0703	Pawl, PS, ZP	1
17	61-7683	ISR Base	1
18	101-9011	Slider Base, Roller Guide Plate, DS	1
19	101-9064	Slider Base, Roller Guide Plate, PS	1
20	299-0687	Tab Cam Latch, ZP	4
21	299-0686	Rail Tab, ZP	4
22	229-1020	5/16" x 1-1/4" Pin with Clip	4
23	201-1039	3/4"-10 x 1" Socket Head Cap Screw, ZP	6
24	61-7953	Cushion Arms	1
25	210-0192	Cross Bar Pivot	1
26	207-1092	Cushion Arm Cap	2
27	250-0289	2-7/8" x 2-3/8" Sumo Spring	2
28	250-0290	2-7/8" x 2" Sumo Spring	2
29	201-0504	1/4"-20 x 1/4" Set Screw, Knurled, ZP	2
30	299-0689	Slider Handle, ZP	1
31	250-0285	1-1/4" x 4-5/8" Grip	1
32	222-0175	Slider Latch Handle Spring	1
33	220-0006	1/4" x 1-1/2" Spring Pin	1
34	61-7893	Slider Latch Housing	1
35	299-0715	Slider Locking Pin, ZP	1
36	201-1000	5/16"-18 x 1-1/8" Socket Head Cap Screw, ZP	2
37	203-0009	5/16" Lock Washer	2
38	229-0829	3/16" x 1-1/4" Linch Pin	1
39	229-0906	1/2" x 3" Pin with Clip, ZP	4
40	299-0688	7/8" Dia. x 4-1/2" Eff. Pin, ZP	1

**Important:**

Use only genuine factory replacement parts on your hitch. Do **NOT** substitute homemade or non-typical parts. If a bolt is lost or in need of replacement, for your safety and the preservation of your hitch, be sure to use a replacement bolt of the same grade (In most cases it will be Grade 5, please reference the parts list above). Replacement parts may be ordered through your nearest Blue Ox® Dealer or Distributor. Failing to follow and/or altering these installation instructions in either installation or required equipment will void the manufacturer's warranty.

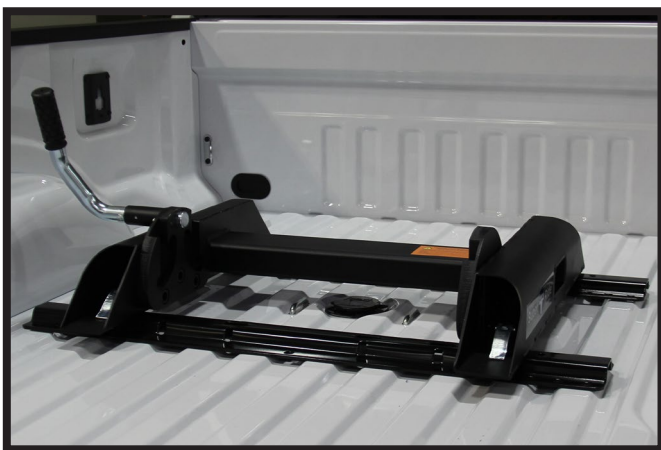
BXR7200  
Super Ride 20K 5th Wheel Hitch  
(Attaches to Industry Standard Bed Rails)  
Installation Instructions

Hitch Base Initial Assembly/Installation Instructions



1. Customer will need to insert the ISR tabs into the base assembly. Tab is inserted from the bottom of the base assembly. Cam-lock is inserted into the top of the base and pinned to the ISR tab.

2. Make sure that all cam tabs are open and insert the four (4) 1/2" x 3" pins. Attach the clips to the back of the pins



3. Set the hitch base onto the industry standard rails (ISR).



4. Close cam tabs to attach the hitch base to the rails.

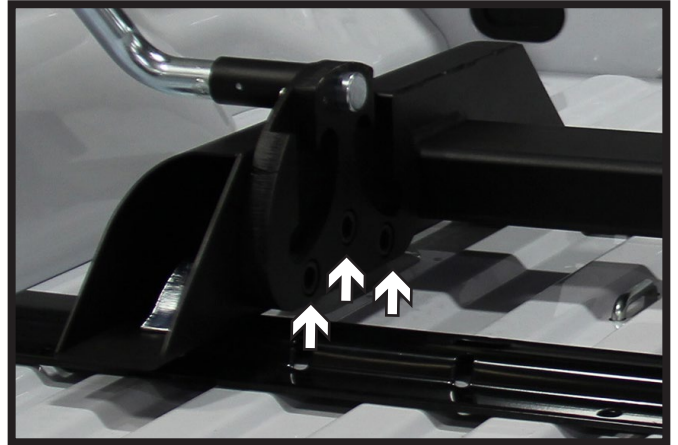
**Note: If a tighter fit is needed use provide cam shims.**

BXR7200  
Super Ride 20K 5th Wheel Hitch  
(Attaches to Industry Standard Bed Rails)  
Installation Instructions

Upper Assembly Initial Installation Instructions



1. Release locking handle by pulling the handle towards the rear of the truck bed. Then pull the handle outwards and then towards the truck bed again.



2. Recommended clearance between truck bed and 5th wheel trailer is 6-8 inches. To adjust the height of the Super Ride's hitch head remove the three (3) bolts holding the slider cam plate and adjust appropriately. Do this for both driver side and passenger side ensuring that both sides are equal in height.



3. Center the shock towers over the hitch base vertically. Align the two (2) pins, one (1) on each side, with the grooves on each side of the hitch base and set into place.



4. Move the shock towers towards the cab of the truck and manually reengage the locking handle.

BXR7200  
Super Ride 20K 5th Wheel Hitch  
(Attaches to Industry Standard Bed Rails)  
Installation Instructions

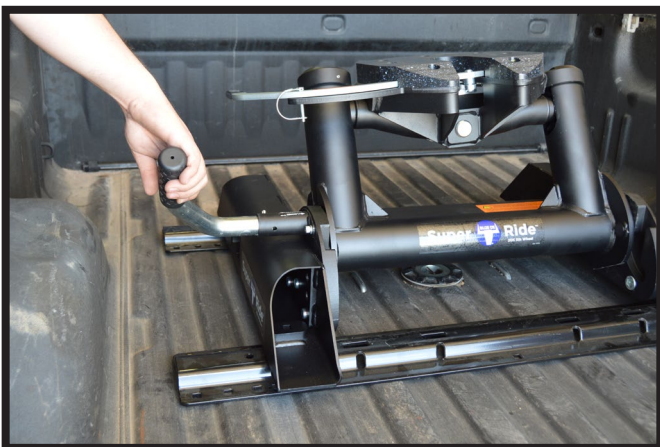


5. Set the hitch head on top of the shock towers.

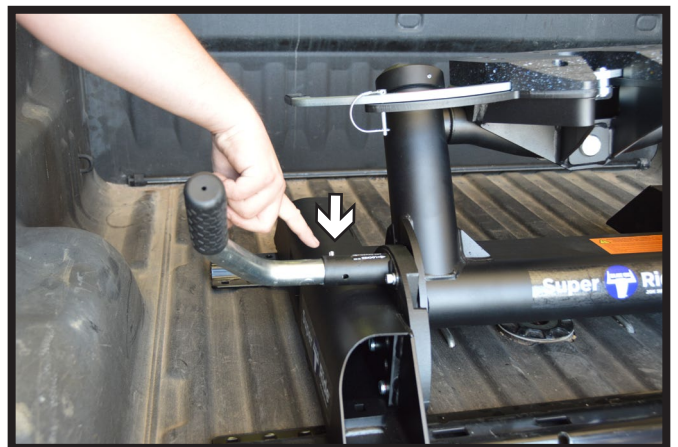


6. Insert the pin through the front of the hitch and then insert the clip on the back of the hitch to secure the hitch head to the shock towers.

### Slider Feature Instructions



1. Release locking handle by pulling the handle towards the rear of the truck bed. Then pull the handle outwards and then towards the rear of the truck bed again.



2. The handle is now locked into the groove on the side of the tubing.

3. To move the hitch head towards the rear of the truck bed, apply the brakes on the trailer. Then pull the truck forward. Ensure the locking pin has locked into place.

The slider feature provides 11" of extra clearance between the truck cab and the hitch. This feature is mainly used on short bed pick-ups or for maneuvering in tight positions.

BXR7200  
Super Ride 20K 5th Wheel Hitch  
(Attaches to Industry Standard Bed Rails)  
Installation Instructions

### Attaching the Trailer

Remove the safety pin from the coupler handle on the hitch head. Open the jaws of the coupler. Adjust the height of the trailer so that the king pin is slightly lower than the top of the coupler. Remove any lube plate that may be attached to the trailer's king pin. The Super Ride's head is self-lubricating. Slowly back the truck towards the trailer, making sure that the king pin is center with the coupler jaws until the locking latch feature has been engaged 360 degrees around the king pin. Ensure that the coupler handle has completely closed before reinserting the safety pin into the handle. Before towing connect the brake and lighting.

### Unattaching the Trailer

Lower the landing gear on the trailer to rest firmly on the ground and block the wheels of the trailer. Raise the trailer until the tongue weight is removed from the truck. Remove the pin from the coupler handle and rotate to the open position to unlatch the jaws. If the jaws of the coupler do not open, readjust the landing gear to relieve the pressure and allow them to open. Reinsert the safety pin to lock the handle in an open position. When the landing gear will safely support the trailer, move the truck forward to release the king pin from the jaws of the coupler. When the pressure is taken off of the coupler the jaws will always open when the truck pulls away.

### Pull Test

Make sure that the truck is stationary and that the emergency brake is on. The landing gear of the trailer should still be resting firmly on the ground with the trailer wheels blocked. Do not stand between the trailer and the truck bed. Release the emergency brakes on the truck and apply the trailer brakes. Slowly try to pull the trailer forward. The wheel blocks and trailer brakes should not allow the truck to move forward if the hitch is properly connected. The trailer will separate from the truck if it is not properly connected. If the trailer separates from the truck the landing gear which is firmly on the ground will prevent the trailer from dropping or falling on the sides of the truck bed.

### Uninstalling Hitch

To uninstall the hitch first remove the upper assembly by releasing the locking handle by pulling the handle towards the rear of the truck bed. Then pull the handle outwards and then towards the rear of the truck bed again. Center the towers vertically. This aligns the pins on each side of the towers with the grooves on the hitch base. Lift and remove the upper section. To remove the base from the ISR open all four (4) cam tabs. Remove the clips from the four (4) pins and then remove the pins. Lift the hitch base off of the IRS.



BXR7200  
Super Ride 20K 5th Wheel Hitch  
(Attaches to Industry Standard Bed Rails)  
Installation Instructions

**CUSTOMER SERVICE COMMITMENT**

Blue Ox® is committed to providing you with exceptional customer care throughout your lifetime with our products. Our team is here to assist you with any questions you may have regarding the performance of your product. Simply call (402) 385-3051 and you can speak with our technical service team.

Additionally, please visit our website to see which rallies our Destination America team will be attending. For a nominal fee, our service technician will service your towing system to ensure it's in proper working condition. Also, as a commitment to our customers, should you visit our factory, you can stay at our full service Blue Ox® campground at no charge along with enjoying a factory tour.

Again, thank you for being our customer and for the confidence you have shown in the performance of our products. It is because of customers like you we enjoy the success we have today.

© 2015 Blue Ox  
One Mill Road, Industrial Park  
Pender, Nebraska 68047  
Phone: (402) 385-3051  
Fax: (402) 385-3360  
[www.blueox.com](http://www.blueox.com)