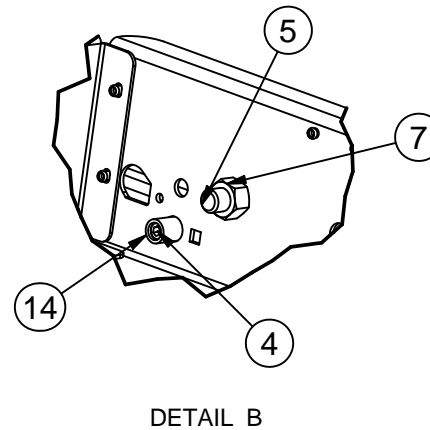
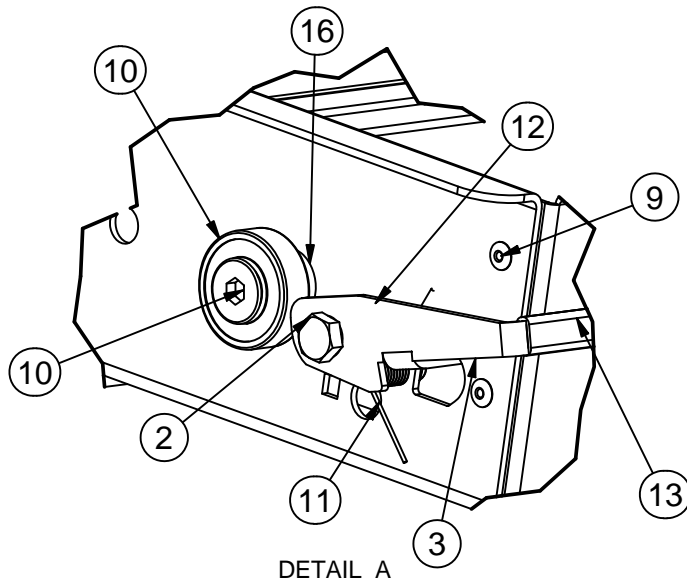
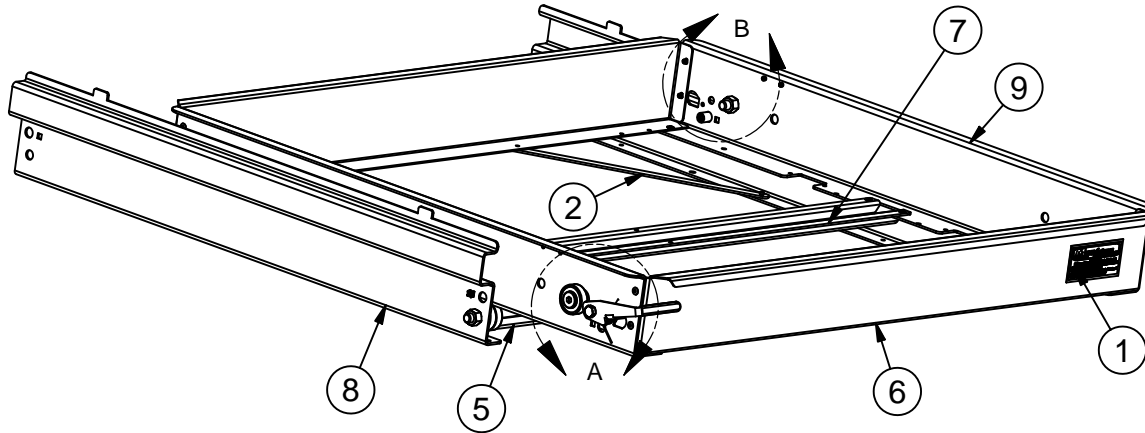


- CT - POWDER COAT BLACK
 - CTG - POWDER COAT GRAY

- SEE PAGE 2 FOR PART NUMBER CHART
 AND DIMENSIONAL INFORMATION

- SEE PAGE 3 FOR REPLACEMENT
 PART INFORMATION

- CUT WOOD AND CARPET TO FIT (SP56-079)



Parts List

ITEM	QTY	PART NUMBER
1	1	CARGO TRAY STICKER
2	2	CTG205-001
3	1	CTG213-001
4	1	CTG213-058
5	2	CTG224-Width
6	2	CTG225-Width
7	1	CTG226-Width
8	2	CTG227-036
9	2	CTG228-036
2	1	UO115-013
3	1	UO115-298
4	2	UO115-359
5	6	UO115-372
6	1	UO116-002
7	6	UO116-094
8	1	UO116-105
9	26	UO136-137
10	8	UO136-441
11	1	UO136-486R
12	1	UO136-488
13	1	UO136-496
14	2	UO136-605
15	2	UO136-638
16	4	UO136-707
17	2	UO136-758


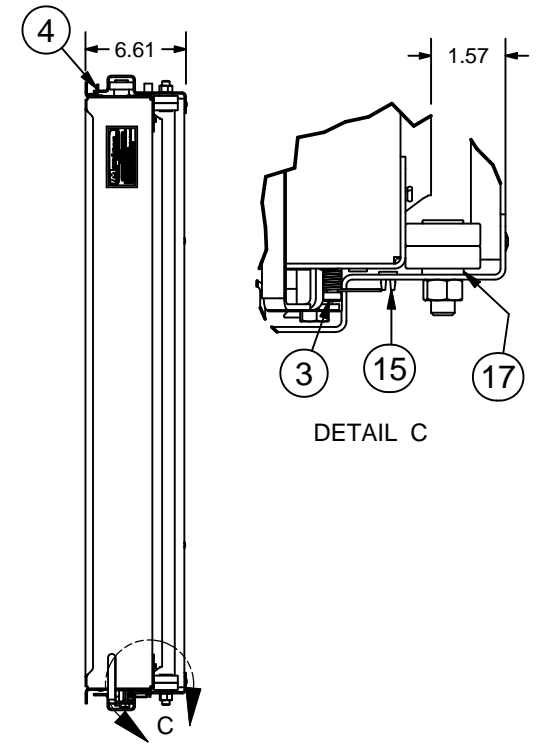
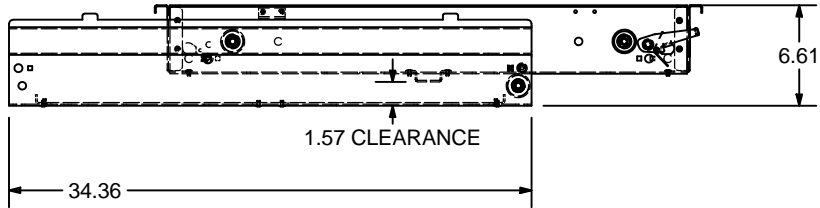
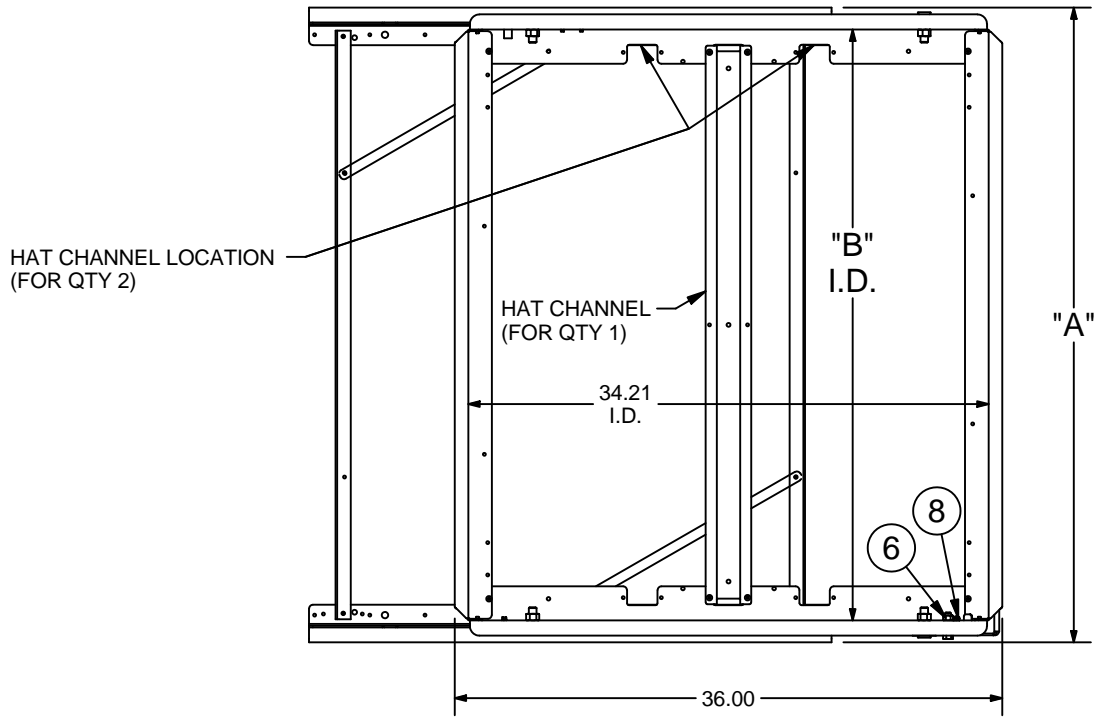
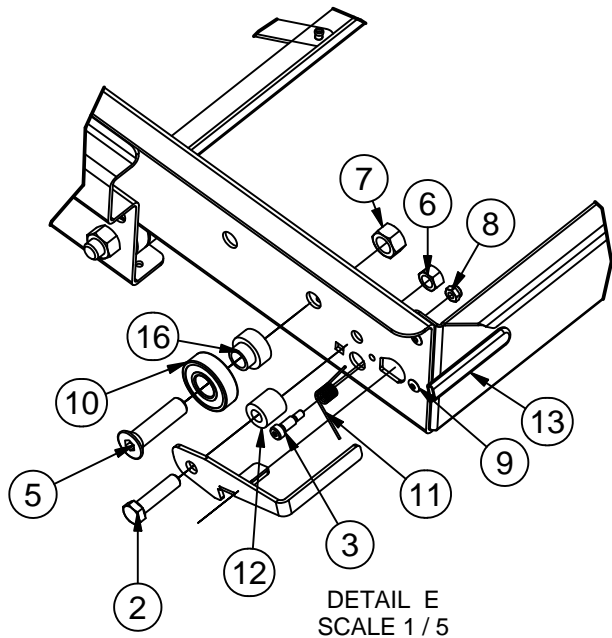
DRAWN: Jon Kauffman	CHECKED: DATE: 8/2/2011	CTG60-XX36
MATERIAL: STEEL		CARGO SLIDE XX" x 36"
FINISH: SEE NOTES		
ALL DIMENSIONS ARE O.D. UNLESS OTHERWISE NOTED TOLERANCE OF DIMENSIONS (INCHES) UNLESS OTHERWISE SPECIFIED: LASER: 2 PLACES ± 0.020 3 PLACES ± 0.010 BRAKE: 2 PLACES ± 0.063 3 PLACES ± 0.031 WELDING: 2 PLACES ± 0.063 3 PLACES ± 0.031 SHOD. ENG: 2 PLACES ± 0.030 3 PLACES ± 0.010 CUTOFF: ± 0.031		
ANGULAR: ±1° FLATNESS: ± 06/10.00		THIS DRAWING & THE INFORMATION CONTAINED THEREON ARE THE EXCLUSIVE PROPERTY OF MORFYDE. THEY SHALL NOT BE COPIED OR DUPLICATED WITHOUT OUR CONSENT. SHEET 1 OF 3

Table			
Part Number	Dim. "A"	Dim. "B"	# OF HAT CHANNELS
CTG60-2036W	19.74	16.85	1
CTG60-2636W	25.74	22.85	1
CTG60-2936W	28.74	25.85	1
CTG60-3336W	32.74	29.85	1
CTG60-3636W	35.74	32.85	1
CTG60-3936W	38.74	35.85	1
CTG60-4236W	41.74	38.85	2
CTG60-4836W	47.74	44.85	2
CTG60-5236W	51.74	2	

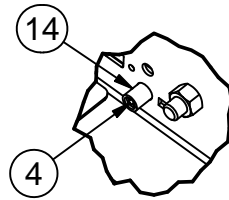
- CT - POWDER COAT BLACK
- CTG - POWDER COAT GRAY
- CUT WOOD AND CARPET TO FIT (SP56-079)



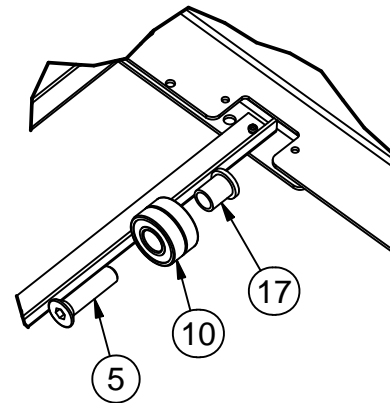
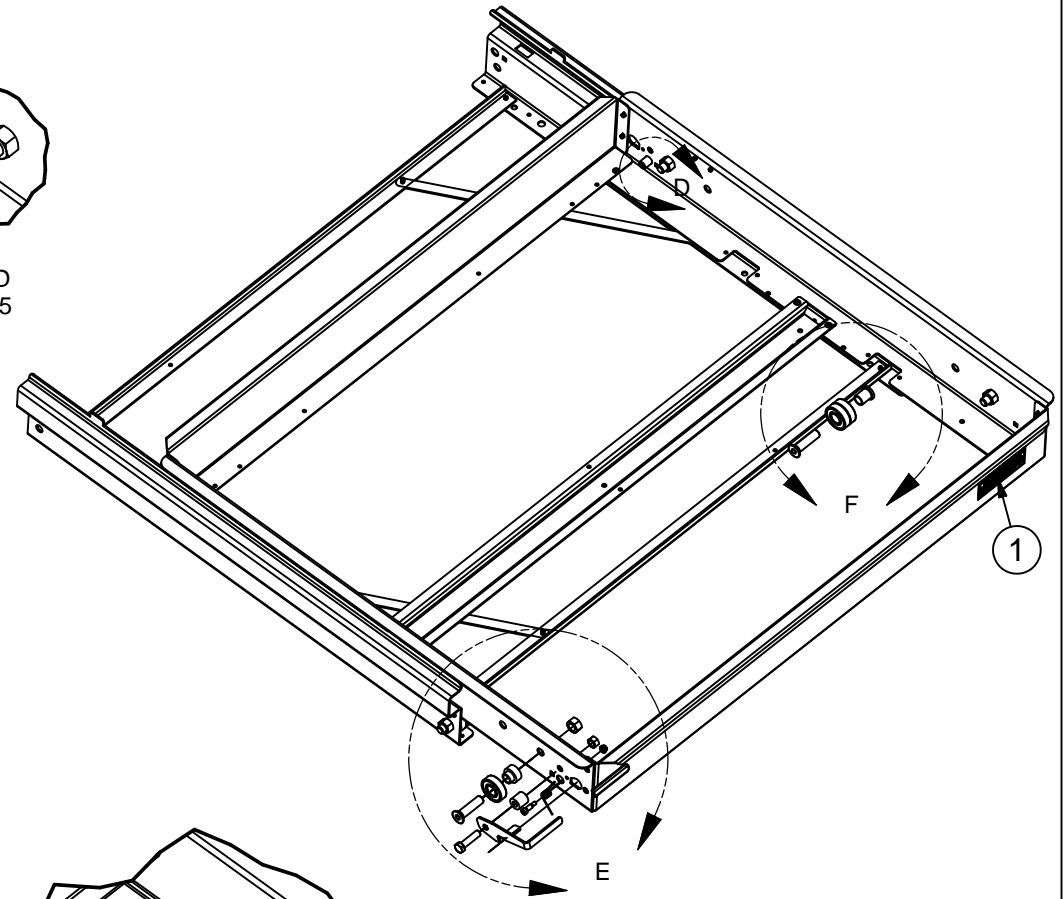
DRAWN: Jon Kauffman	CHECKED: DATE: 8/2/2011	CTG60-XX36
MATERIAL: STEEL		CARGO SLIDE XX" x 36"
FINISH: SEE NOTES		
ALL DIMENSIONS ARE O.D. UNLESS OTHERWISE NOTED		
TOLERANCE OF DIMENSIONS (INCHES)		
UNLESS OTHERWISE SPECIFIED:		
LASER: 2 PLACES ± 0.020 3 PLACES ± 0.010 BRAKE: 2 PLACES ± 0.063 3 PLACES ± 0.031 WELDING: 2 PLACES ± 0.063 3 PLACES ± 0.031 SHOP ENG: 2 PLACES ± 0.030 3 PLACES ± 0.010 CUTOFF: ± 0.031		
ANGULAR: ± 1° FLATNESS: ± 0.6/10.00		THIS DRAWING & THE INFORMATION CONTAINED THEREON ARE THE EXCLUSIVE PROPERTY OF MORRYDE. THEY SHALL NOT BE COPIED OR DUPLICATED WITHOUT OUR CONSENT. SHEET 2 OF 3



DETAIL E
SCALE 1 / 5



DETAIL D
SCALE 1/5




DETAIL F
SCALE 1 / 5

Parts List

ITEM	QTY	PART NUMBER	DESCRIPTION
1	1	CARGO TRAY STICKER	
2	1	UO115-013	BOLT - 3/8-16 x 1-1/2" HHCS
3	1	UO115-298	BOLT - 10-24 SHOULDER OD x 1/4" x 1/2" LG
4	2	UO115-359	BOLT - 3/8-16 x 3/4" NYLON SET SCREW
5	6	UO115-372	BOLT - 1/2-13 x 2" FLAT HEAD SOCKET
6	1	UO116-002	NUT - 3/8-16 CENTER LOCK ZINC
7	6	UO116-094	NUT - 1/2-13 CENTER LOCK ZINC
8	1	UO116-105	NUT - 10-24 NYLON LOCK NUT
9	26	UO136-137	3/16 RIVET
10	8	UO136-441	BEARING - .668" ID x 1.575" OD x .47" WIDE
11	1	UO136-486R	TORSION SPRING 0.404 OD
12	1	UO136-488	PLASTIC SPACER - .38" ID x .75" OD .75" LG
13	1	UO136-496	YELLOW RUBBER GRIP
14	2	UO136-605	RIVET NUT - 3/8-16
15	2	UO136-638	NYLON GROMMET NUT, .060 HEAD HEIGHT
16	4	UO136-707	SINGLE BEARING SLEEVE - PLASTIC
17	2	UO136-758	DOUBLE BEARING SLEEVE - PLASTIC

DRAWN: Jon Kauffman	CHECKED: DATE: 8/2/2011	CTG60-XX36 NONE
MATERIAL: STEEL		
FINISH: VARIOUS		CARGO TRAY XX" x 36"
ALL DIMENSIONS ARE O.D. UNLESS OTHERWISE NOTED TOLERANCE OF DIMENSIONS (INCHES) UNLESS OTHERWISE SPECIFIED:		
LASER:	2 PLACES ± 0.020	3 PLACES ± 0.010
BRAKE:	2 PLACES ± 0.063	3 PLACES ± 0.031
WELDING:	2 PLACES ± 0.063	3 PLACES ± 0.031
SHOP ENG:	2 PLACES ± 0.030	3 PLACES ± 0.010
CUTOFF:	± 0.031	
ANGULAR: ± 1°		FLATNESS: ± .06/10.00



Elkhart, Indiana

THIS DRAWING & THE INFORMATION CONTAINED THEREON ARE THE EXCLUSIVE PROPERTY OF MOR/RYDE. THEY SHALL NOT BE COPIED OR DUPLICATED WITHOUT OUR CONSENT.

SHEET 3 OF 3