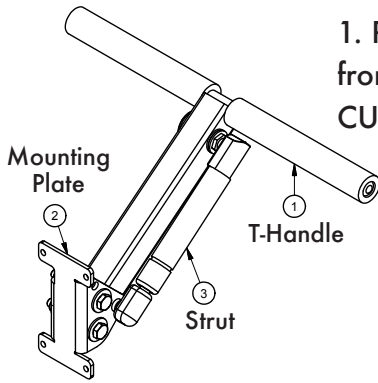


THE CHAIR BUDDY™

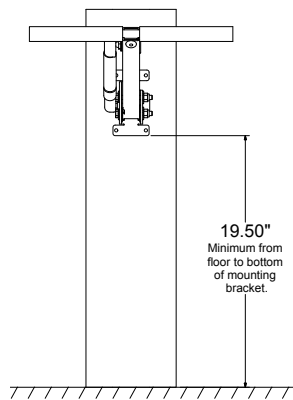
INSTRUCTIONS



1. Remove Chair Buddy™ from packaging. DO NOT CUT ZIP TIE at this time.



2. Position Chair Buddy™ against post where Chair Buddy™ is as high as possible on the post. T-handle should be touching the underside of table. (Zip tie must still be uncut). Mark with a pencil the bottom of the mounting face.



3. Measure from the line to the floor to ensure it is a minimum of 19.5".



4. With a pencil mark the four screw locations using the mounting plate as your guide.



5. With a 7/64th drill bit drill a pilot hole approximately 1" deep for all four screw locations. (Must drill pilot holes or table post may split).



6. Using the provided screws secure the Chair Buddy™ to the post only screwing in the bottom two screws.



7. Cut zip tie. (Do not cut before Chair Buddy™ is secure to the post with at least the bottom two screws).



8. Carefully pull Chair Buddy™ T-Handle down. Using the provided screws secure the top mounting holes.

Chair Buddy™ is a patent pending product made by MORryde International, Inc.



Above. Beyond. Always.

1966 Sterling Avenue
PO Box 579
Elkhart, Indiana 46515

THE CHAIR BUDDY™ QUALIFIERS

1. Designed to hold down loose dinette chairs when used with a center post dinette table.
2. Dinette table assumed to be standard 30" in height from under side of the table with standard 17"-19" chairs.
3. Table post must have a flat surface parallel to the side of the table where the chairs are stored and it must be at least a 2" wide x 4" tall mounting area.
4. Chair Buddy™ should be mounted as high as possible and centered on the table post.
5. Minimum distance of 8.56" is required between the mounting bracket on the post and the inner face of the rail if one is present.
6. If the table is a sliding table, Chair Buddy™ should be mounted low enough so the table can move without Chair Buddy™ interfering; however, the minimum distance from the bottom of the mounting bracket to the floor is 19.5".



THANK YOU

for purchasing our Chair Buddy™ product. We hope you find that it makes your travels easier and safer. Here you will find your qualifiers and installation instructions. If you have any questions give us a call at (574) 293-1581 and we'd be happy to help you out. Also, be sure to check out what other products we offer at www.MORryde.com and if you could "like" and "follow" us while you're there, that'd be great! Thank you.

Chair Buddy™ is a patent pending product made by MORryde International, Inc.



Above. Beyond. Always.

1966 Sterling Avenue
PO Box 579
Elkhart, Indiana 46515

 MORryde International, Inc.

 @MORryde

 MORryde

www.MORryde.com