

Dura Faucet Limited Lifetime Warranty

Dura Faucet products have been manufactured under the highest standards of quality and workmanship. Dura Faucet warrants to the original purchaser for as long as the original purchaser owns their RV that this product will be leak- and drip-free during normal use, and that all parts and finishes of this product will be free from defects in material and manufacturing workmanship. Plated metal and plated plastic finishes are warranted for (1) year.

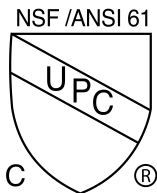
If the product should develop a leak or drip during the warranty period, Dura Faucet will, free of charge, provide the parts necessary to put the product back into good working condition by you. They may also replace any part or finish that proves defective in material and manufacturing workmanship, under normal installation, use and service, free of charge. Proof of purchase (original sales receipt) from the original purchaser must accompany all warranty claims. Defects or damages caused by the use of other products or parts is not covered by this warranty. If repair or replacement is not practical, Dura Faucet may elect to refund the purchase price in exchange for the return of the product.

This warranty covers replacement of all defective parts and finishes. However, damage due to product abuse, product misuse, installation error, or the use of cleaners containing alcohol, abrasives, or other solvents, whether performed by a contractor, service company, or yourself, will void this warranty. Dura Faucet will not be responsible for labor charges and/or damages incurred in installation, repair or replacement, nor any indirect, incidental or consequential damages, losses, or injury costs of any nature relating to this product. Except as provided by law, this warranty is in lieu of and excludes all other warranties, conditions and guarantees, whether expressed or implied, statutory or otherwise, including without restriction those of merchantability or of fitness for use.

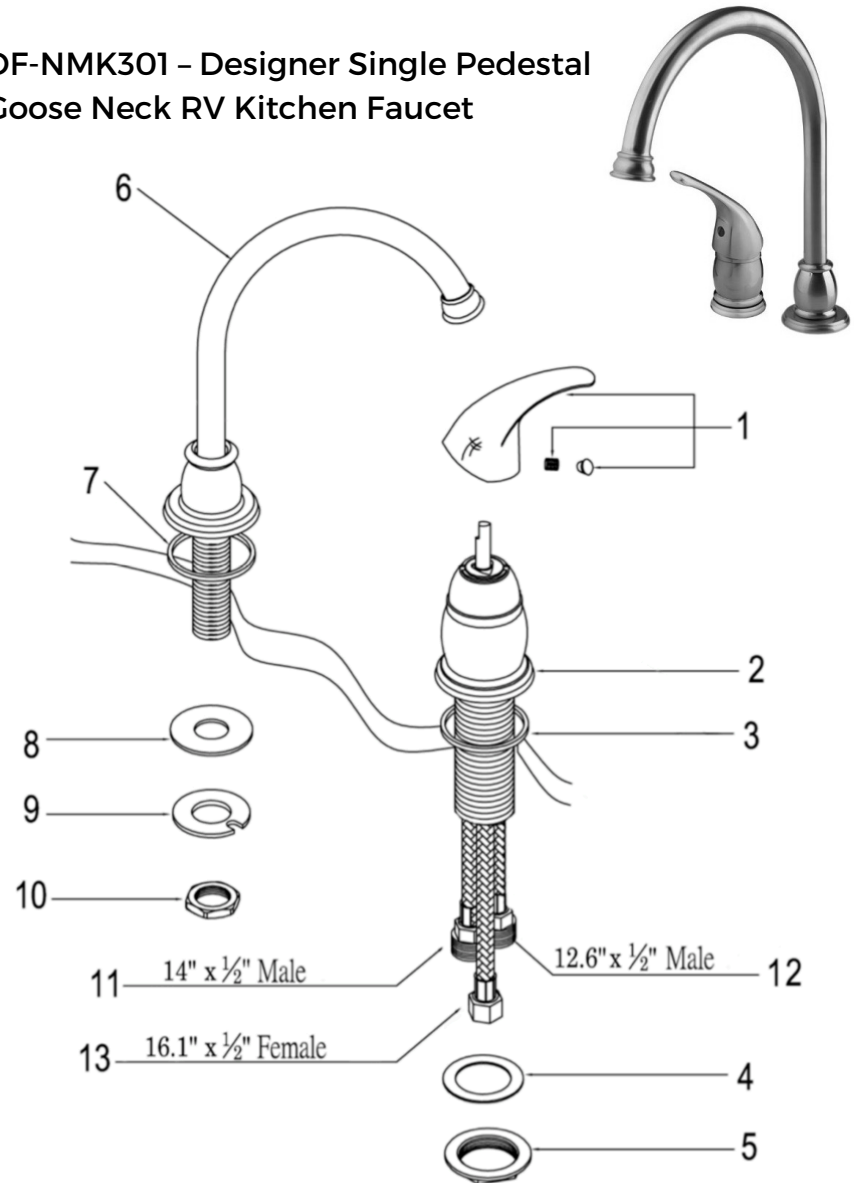
Dura Faucet will advise you on how to proceed in making warranty claims. To begin a warranty claim, write to Dura Faucet explaining the defect and include proof of purchase and your name, address and telephone number. Email is warranty@durafaucet.com.

* Never use cleaners containing abrasive cleansers, ammonia, bleach, acids, waxes, alcohol, solvents or other products not recommended for plated metal or plastic finishes. This will void the warranty.

19215 SE 34th St. Ste. 106-382
Camas, WA 98607



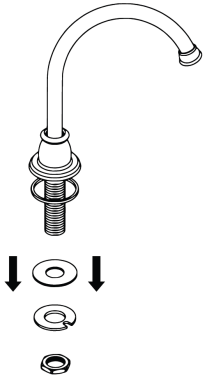
DF-NMK301 – Designer Single Pedestal Goose Neck RV Kitchen Faucet



INSTALLATION OF THE FAUCET

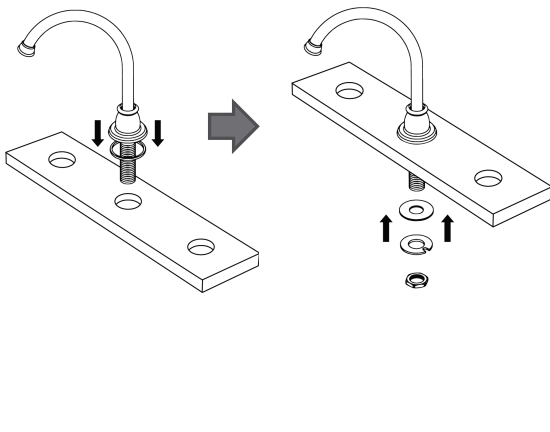
1 Remove Mounting Nuts

Remove the mounting nut (10) and washers (8 & 9) from threaded collar of the spout (6). Remove the mounting nut (5) and nylon washer (4) from the threaded collar of the body (2). Note that the black rubber gasket (3 & 7) at the base of the faucet body (2) and spout (6) remains in place to create a seal after the faucet is installed.



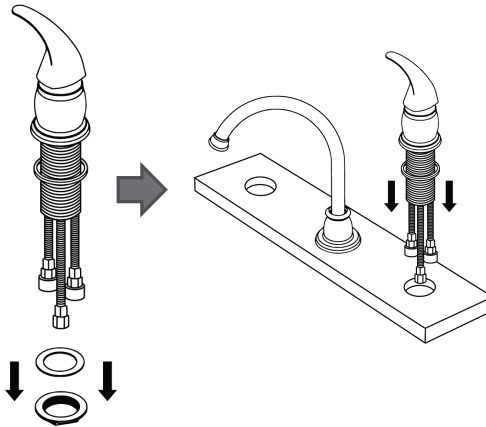
2 Install Faucet Spout

Install the faucet spout (6) through the hole in the sink. Slide washers (8 & 9) to the threaded collar followed by the mounting nut (10). Thread the mounting nut to the underside of the sink and tighten.



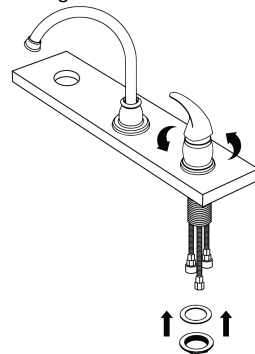
3 Install Faucet Body

Install the faucet body (2) through the hole in the sink. Slide the nylon washer (4) up to the threaded collar followed by the mounting nut (5). Thread the mounting nut to the underside of the sink but do not tighten yet.



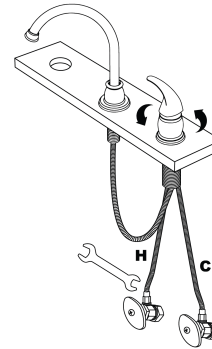
4 Position Faucet Body

Determine the direction you would like the handle to face when in the off (down) position. Generally, when installed in the center of the sink, this would be straight forward and when installed in the corner, it would be positioned diagonally across the sink. Center the faucet through the hole in your sink and then hold the faucet body (2) in place. Tighten the mounting nut until the faucet is secure being careful not to over tighten.



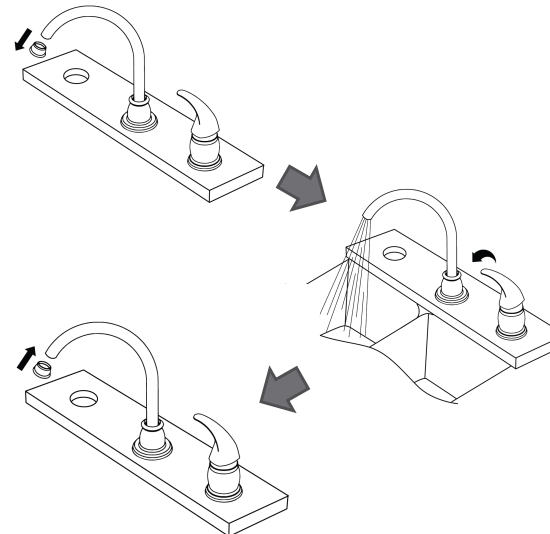
5 Connect Hoses

Connect the spout supply (13) to the faucet spout. After doing so, connect the hot water supply to the longer of the two flexible supply hoses and the cold water supply to the shorter. Flexible supply hoses are complete with 1/2-inch I.P.S. fittings for your convenience. We have also included nose cone washers and brass supply nuts for use with copper tubing.



6 Remove Aerator and Check Water Connections

Remove the aerator from the end of the spout and run the water for 30 to 60 seconds to flush the lines. While doing this check to ensure that all of the connections are tight and there are no leaks. Reinstall aerator.



MAINTENANCE AND CLEANING

Cleaning Tips: The finish on your product is designed to retain its beautiful sheen for years. To maintain the original look of the finish, a little care and caution should be used. We recommend the use of mild soap and water to clean the product.

THE USE OF ABRASIVE CLEANERS MAY SCRATCH THE FINISH OR CAUSE OTHER DAMAGE.

RECOMMENDED TOOLS AND MATERIALS

- ◆ Adjustable Wrench
- ◆ Plumbers Tape (Thread Seal Tape)
- ◆ Phillips Screw Driver

BEFORE YOU BEGIN

There are a variety of things to do before installing any new plumbing system into your home or residence. Before you begin work make sure you:

- ◆ Shut off the main water supply
- ◆ Cover your drain to prevent loss of parts
- ◆ Observed any local plumbing codes
- ◆ Inspect fixture for damage - Replace as necessary

Dura Faucet reserves the right to make any revisions in the design of products without notice.