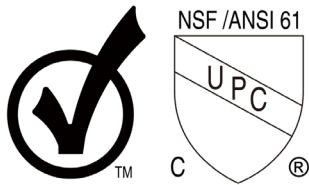


## Dura Faucet Limited Lifetime Warranty

Dura Faucet warrants its RV faucets to be leak and drip free during normal use for as long as the original consumer purchaser owns a Dura Faucet. | If the faucet should leak or drip during normal use, Dura Faucet will, free of charge, mail to the purchaser the cartridge necessary to put the faucet in good working condition. This warranty applies only to Dura Faucets installed in the United States of America, Canada or Mexico (North America). | Dura Faucet also warrants all other aspects of the faucet or accessories to be free of defects in material and workmanship during normal usage in a recreational vehicle for as long as the original consumer purchaser owns his or her Dura Faucet, Plated metal and plated plastic finishes are warranted for (1) year. | If a defect is found during normal use, Dura Faucet will, at its election, repair, provide a replacement part or product, or make appropriate adjustment. Damage to a product caused by accident, misuse, or abuse is not covered by this warranty. Improper care and cleaning will void the warranty. Proof of purchase (original sales receipt) must be provided to Dura Faucet with all warranty claims. Dura Faucet is not responsible for labor charges, installation, or other incidental or consequential costs. In no event shall the liability of Dura Faucet exceed the purchase price of the faucet. | If you believe that you have a warranty claim, contact Dura Faucet through our online contact form. Please be sure to provide all pertinent information regarding your claim, including a complete description of the problem, the product, model number, color, finish, the date the product was purchased and from whom the product was purchased. Also include your original invoice. | DURA FAUCET AND/OR SELLER DISCLAIM ANY LIABILITY FOR SPECIAL, INCIDENTAL OR DONSEQUENTIAL DAMAGES. | Some states/provinces do not allow limitations of how long an implied warranty lasts or the exclusion of limitation of such damages, so these limitations and exclusions may not apply to you. This warranty gives the consumer specific legal rights. You may also have other rights that vary from state/province to state/province.

\* Never use cleaners containing abrasive cleansers, ammonia, bleach, acids, waxes, alcohol, solvents or other products not recommended for plated metal or plastic finishes. This will void the warranty.



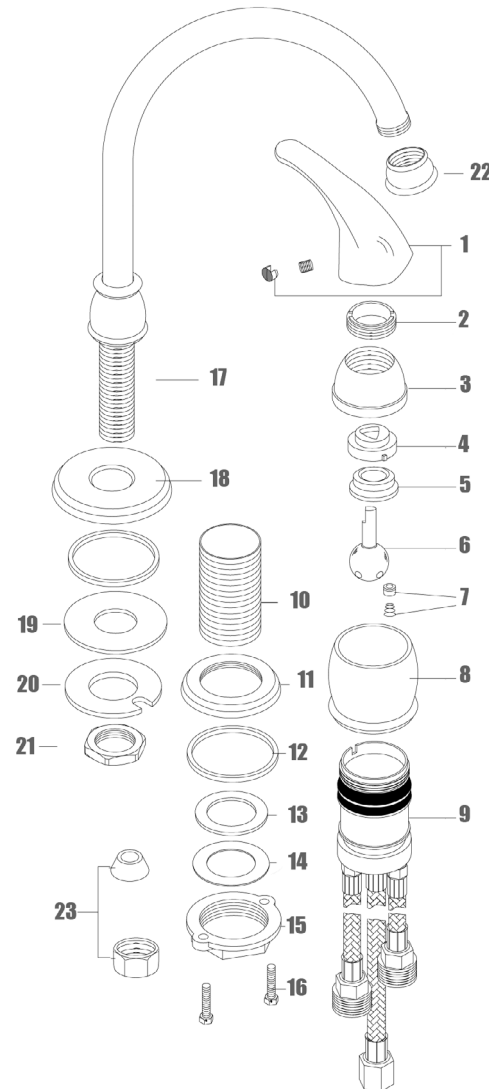
19215 SE 34th St. Ste 106-382  
 Camas, WA 98607  
 Tel/Fax: 888-242-5932  
 www.durafaucet.com



# DURA Faucet

RV Faucet Specialists

## DF-NMK301 Designer Single Pedestal Goose Neck RV Kitchen Faucet



- |   |                                      |
|---|--------------------------------------|
| 1 Handle Assembly (1)<br>#E0410IC50-SN59  | 14 Washer (1)<br>#C10960069-RZ       |
| 2 Adjusting Assembly (1)<br>#C10280014-RZ | 15 Lock Nut (1)<br>#C10300004-ZN39   |
| 3 Cap (1)<br>#C07300012-SN59              | 16 Screw(1)<br>#D01950002-RZ         |
| 4 Cam (1)<br>#C10400006-RZ                | 17 Spout (1)<br>#E0610GE02-SN59      |
| 5 Packing (1)<br>#D02500049-RZ            | 18 Deck Plate (1)<br>#C10280010-SN59 |
| 6 Ball Assembly (1)<br>#C10960053-RZ      | 19 Washer (1)<br>#D03500062-RZ       |
| 7 Seat & Spring (2)<br>#E021004-15        | 20 Washer (1)<br>#C10400099-RZ       |
| 8 Sleeve (1)<br>#C10400198-RZ             | 21 Nut (1)<br>#D01250073-RZ          |
| 9 Body Assembly (1)<br>#E01108217-SN59    | 22 Aerator (1)<br>#E07005-SN59       |
| 10 Brass Tube (1)<br>#C10230015-RZ        | 23 Part Assembly (1)<br>#E021004-16  |
| 11 Deck Plate (1)<br>#C10280011-SN59      |                                      |
| 12 Washer (1)<br>#D03500064-RZ            |                                      |
| 13 Washer (1)<br>#D03500068-RZ            |                                      |



## Installation Instructions

### Step 1

Remove mounting nut (10) and washers (8 & 9) from threaded collar of spout (6). Remove mounting nut (5) and nylon washer (4) from threaded collar of body (2). Note that the black rubber gasket (3 & 7) at the base of faucet body (2) and spout (6) remains in place as used to create a seal after faucet is installed.

### Step 2

Install faucet spout (6) through hole in sink. Slide washers (8 & 9) to the threaded collar followed by mounting nut (10). Thread mounting nut to underside of sink and tighten.

### Step 3

Install faucet body (2) through hole in sink. Slide nylon washer (4) up to threaded collar followed by mounting nut (5). Thread mounting nut to underside of sink but do not tighten as yet.

### Step 4

Determine the direction you would like the handle to face when in the off (down) position. Generally, when installed in the center of the sink, this would be straight forward and when installed in the corner of the sink,

### ... Step 4 continued

diagonally across the sink. Center the faucet through the hole in your sink and then hold the faucet body (2) in place. Tighten mounting nut until faucet is secure being careful not to over tighten.

### Step 5

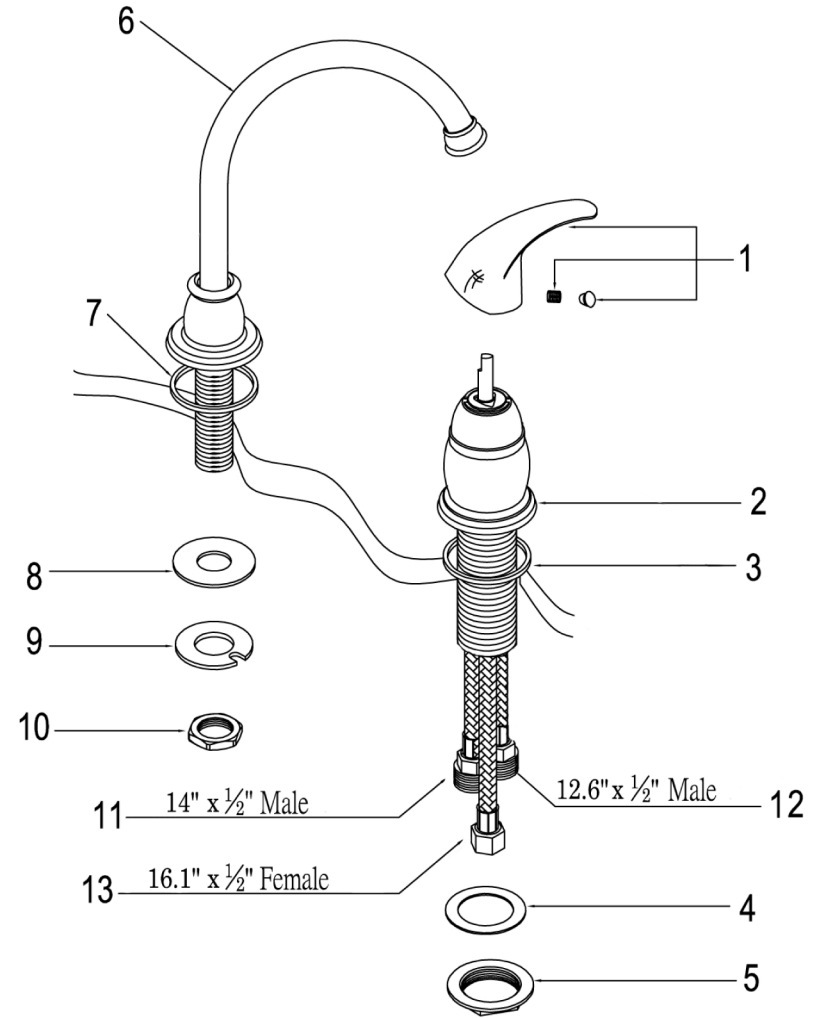
Connect spout supply (13) to faucet spout shank. Connect hot water supply to longer (11) of two flexible supply hoses and cold water supply to shorter (12) of these hoses. Flexible supply hoses are complete with 1/2" I.P.S. fittings for your convenience. We have also included nose cone washers and brass supply nuts for use with copper tubing.

### Step 6

Slowly turn on water supply valves while checking to insure all connections are tight and there are no leaks.

### Step 7

Remove water saver aerator from end of spout and run water for 30 to 60 seconds to flush the lines. Reinstall water saver aerator and enjoy your new kitchen faucet.



## Maintenance/Cleaning Instructions

**Cleaning Tips:** The finish on your faucet is designed to retain its beautiful sheen for years. To maintain the original look of the finish, a little care and caution should be used. We recommend the use of mild soap and water to clean the faucet. THE USE OF ABRASIVE CLEANERS MAY SCRATCH THE FINISH.