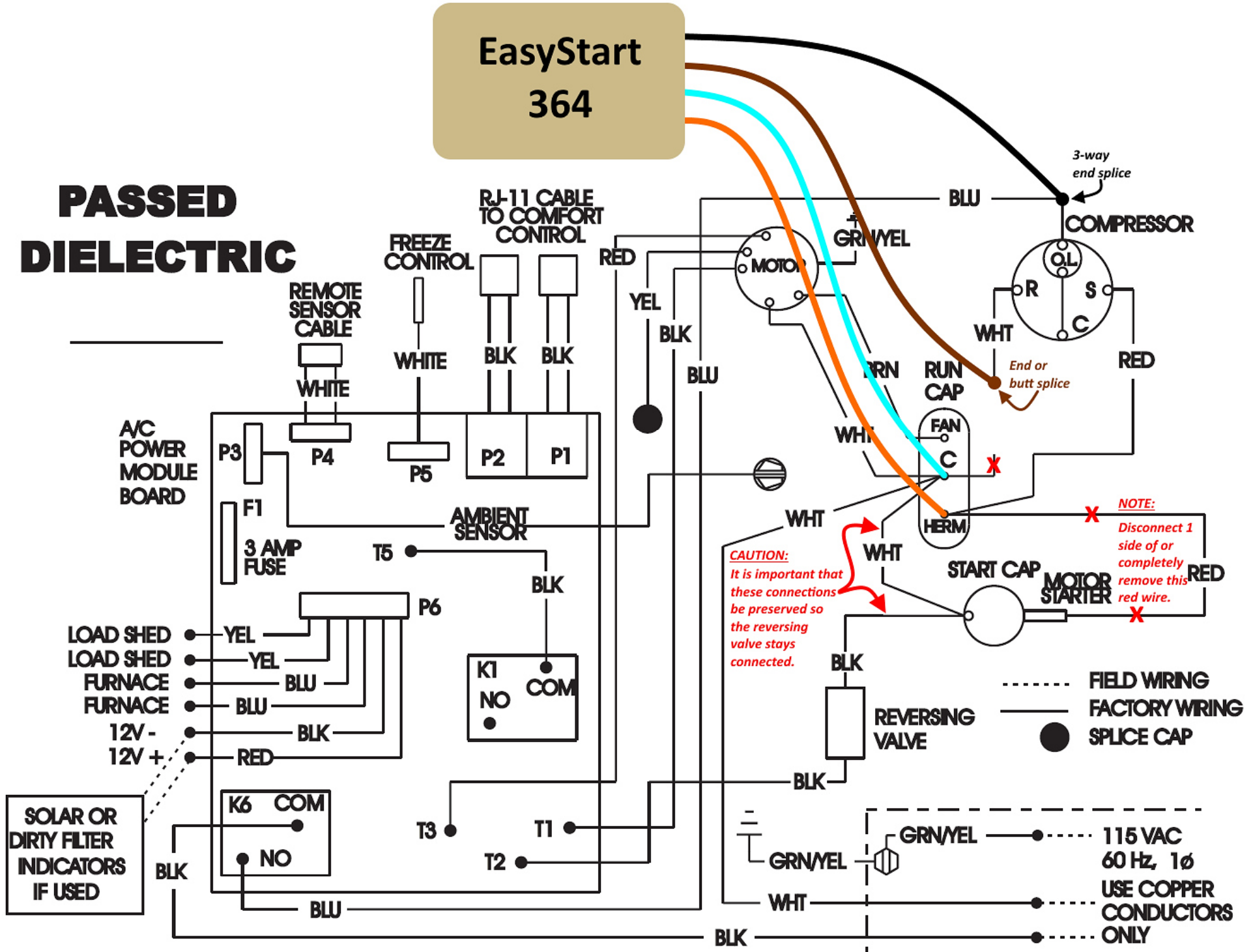


EasyStart 364

**PASSED
DIELECTRIC**



CAUTION:
It is important that these connections be preserved so the reversing valve stays connected.

NOTE:
Disconnect 1 side of or completely remove this red wire.