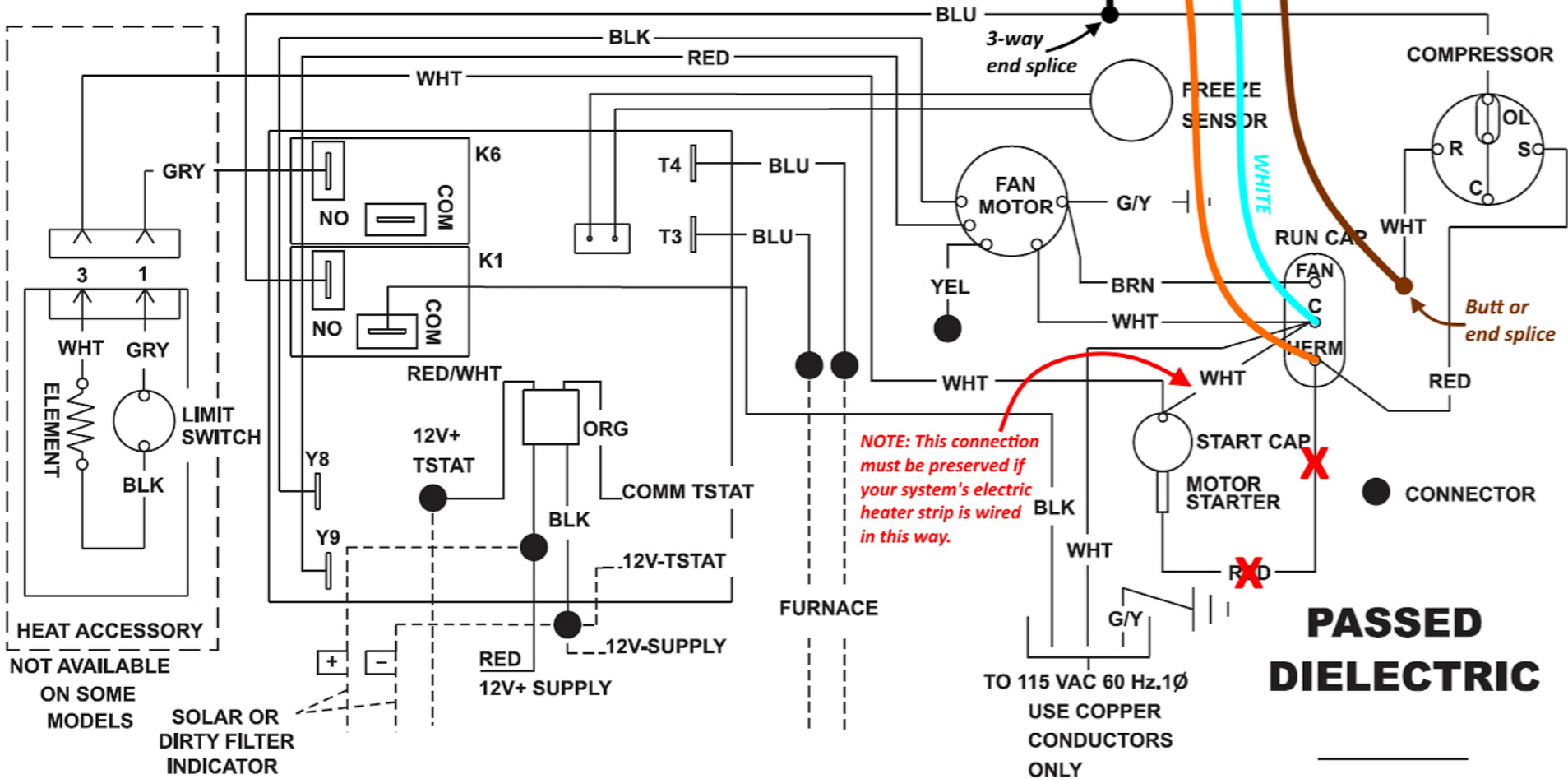


# EasyStart 364



**PASSED  
DIELECTRIC**

TO 115 VAC 60 Hz, 1Ø  
USE COPPER  
CONDUCTORS  
ONLY